

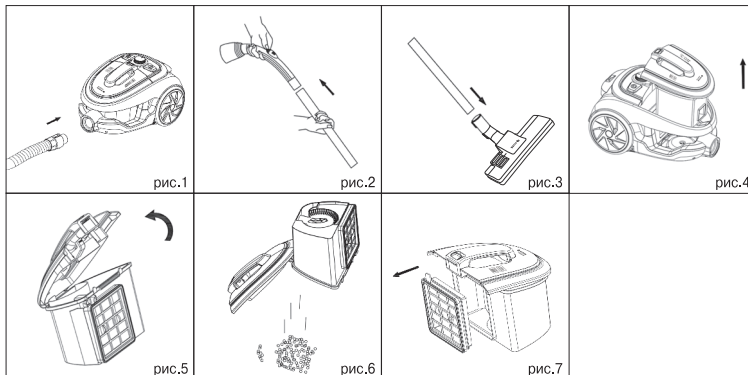
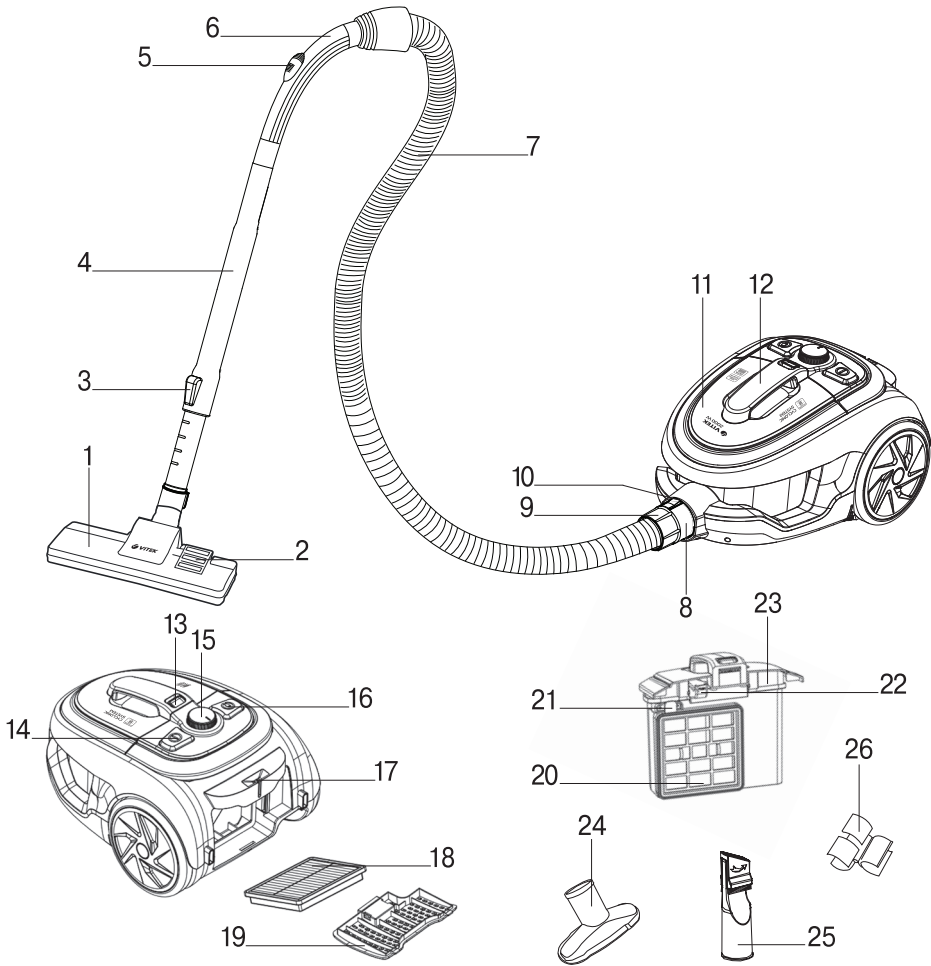
**VT-8128**

Vacuum cleaner

Пылесос

# Инструкция по эксплуатации

<b>GB</b> Manual instruction	<b>3</b>
<b>RUS</b> Инструкция по эксплуатации	<b>7</b>
<b>KZ</b> Пайдалану нұсқасы	<b>12</b>
<b>UA</b> Інструкція з експлуатації	<b>16</b>
<b>KG</b> Пайдалануу боюнча нускама	<b>20</b>



## VACUUM CLEANER VT-8128

The vacuum cleaner is intended for room dry cleaning.

### DESCRIPTION

1. Universal brush with the "FLOOR/CARPET" switch
2. "FLOOR/CARPET" mode switch
3. Telescopic pipe clamp
4. Telescopic extension pipe
5. Manual suction power control
6. Flexible hose handle
7. Flexible hose
8. Flexible hose ending
9. Flexible hose ending clamp
10. Air inlet
11. Dust bin
12. Dust bin and vacuum cleaner carrying handle
13. Dust bin lock button
14. On/off button
15. Suction power control
16. Power cord winding button
17. Brush storage
18. Outlet HEPA filter
19. Outlet filter grid
20. Inlet HEPA filter
21. Blocking device
22. Dust bin lid release button
23. Dust bin lid
24. Furniture brush
25. Universal crevice nozzle
26. Attachment holder

### SAFETY MEASURES

Read this instruction manual carefully before using the unit and keep it for the whole operation period. Use the unit for its intended purpose only, as specified in this manual. Mishandling of the unit may lead to its breakage and cause harm to the user or damage to his/her property.

To avoid the risk of fire, electric shock and to prevent injury, observe the following safety measures.

- Before connecting the unit to the mains, make sure that the voltage specified on the unit corresponds to your home mains voltage.
- To avoid fire, do not use adapters for connecting the unit to the mains.
- Do not leave the plugged in vacuum cleaner unattended. Always unplug the vacuum cleaner from the mains if it is not being used, before changing attachments or before unit maintenance.
- To prevent the risk of electric shock, do not use the vacuum cleaner outdoors, do not use it for collecting water or any other liquids (do not use the vacuum cleaner on wet surfaces).
- Carry the vacuum cleaner holding it by the carrying handle only.
- Do not use the power cord for carrying the vacuum cleaner, do not close the door if the power cord runs through the doorway, do not let the power cord come in contact with sharp corners or edges of furniture, and with hot surfaces. Do not run over the power cord with the vacuum cleaner while room cleaning as this can damage it. Always first switch the vacuum cleaner off with the ON/OFF button and only after that take the power plug out of the mains socket.
- When unplugging the unit, pull the plug but not cord.
- Do not touch the plug or the body of the vacuum cleaner with wet hands.
- Hold the winding cord with hand to avoid the plug hitting against the floor.
- Do not cover the unit outlet with any objects.
- Do not switch the unit on if any of its openings are blocked.
- Keep hair, free hanging clothes, fingers and other parts of your body away from the vacuum cleaner air inlets.
- Be especially cautious while cleaning the stair landings.
- Do not use the vacuum cleaner for collecting such highly inflammable liquids as gasoline and solvents, do not use the vacuum cleaner in places where such liquids are stored.
- Do not use the vacuum cleaner for collecting water and other liquids, burning or smoking cigarettes, matches, cinders as well as fine dust, for example, of plaster, concrete, flour or ashes.
- Do not use the vacuum cleaner if:
  - the dustbag is not installed or installed improperly;
  - the inlet and outlet filters are not installed.
- Do not immerse the unit body into water or other liquids.
- Use only the accessories and attachments supplied.
- Clean the vacuum cleaner regularly.
- Keep the vacuum cleaner in a dry cool place.
- Do not use the vacuum cleaner to clean pets.
- Close supervision is necessary when children or disabled persons are near the operating unit.
- This unit is not intended for usage by children. During the unit operation and breaks between

# ENGLISH

operation cycles, place the unit out of reach of children.

- The unit is not intended for usage by physically or mentally disabled persons (including children) or by persons lacking experience or knowledge if they are not under supervision of a person who is responsible for their safety or if they are not instructed by this person on the usage of the unit.
- Do not leave children unattended to prevent using the unit as a toy.
- For children safety reasons do not leave polyethylene bags, used as packaging, unattended.

**Attention!** Do not allow children to play with polyethylene bags or packaging film. **Danger of suffocation!**

- Regularly check the power plug and power cord integrity for damages.
- Never use the unit if the power cord or the power plug is damaged, if the unit works improperly or after it was dropped.
- Do not attempt to repair the unit. Do not disassemble the unit by yourself, if any malfunction is detected or after it was dropped, unplug the unit and apply to any authorized service center from the contact address list given in the warranty certificate and on the website [www.vitek.ru](http://www.vitek.ru).
- Transport the unit in the original package only.
- Keep the unit out of reach of children and disabled persons.

*THE UNIT IS INTENDED FOR HOUSEHOLD USE ONLY, ITS COMMERCIAL USAGE AND USAGE IN PRODUCTION AREAS AND WORK SPACES IS PROHIBITED.*

## BEFORE THE FIRST USE

**After unit transportation or storage at low temperature keep it for at least three hours at room temperature before switching on.**

- Unpack the unit, remove any stickers and package materials that can prevent the vacuum cleaner operation.
- Check the unit for damages; do not use it in case of damages.
- Before switching the unit on, make sure that your home mains voltage corresponds to the unit operating voltage.

## ASSEMBLING THE VACUUM CLEANER

### Attaching and removing the flexible hose

- Insert the flexible hose ending (8) into the air inlet (10) (pic. 1).

- Insert the hose with a slight effort until locking.
- If you need to remove the flexible hose, press the lock (9) and detach the hose.

### Attaching the telescopic pipe and the attachments

- Attach the telescopic extension pipe (4) to the handle of the flexible hose (6) (pic. 2).
- Extend the lower part of the telescopic extension pipe to the required length, having preliminary pressed the clamp (3).
- Choose the necessary attachment – the floor/carpet brush (1), the crevice nozzle (25) or the attachment (24) – and attach it to the telescopic extension pipe (4).
- If necessary, you can attach the attachments (24, 25) directly to the flexible hose handle (6).
- During the operation hold the unit by the handle (6).

## USING THE BRUSH ATTACHMENTS

### Universal brush with the “FLOOR/CARPET” switch (1)

Set the switch (2) on the brush (1) to the required position (depending on the type of the surface being cleaned).

### Universal crevice nozzle (25)

This attachment can be used as a dust brush or a crevice nozzle; to do this set the brush to the necessary position.

### Furniture brush (24)

Use the attachment (24) for cleaning fabric surfaces of upholstered furniture.

### Attachment holder (26)

Install the holder (26) on any part of the flexible hose (7), install the attachments (24 and 25) on the holder (26).

### Dust bin (11)

The dust bin (11) is equipped with the cyclonic filter which eliminates garbage and dust from the air, and the HEPA (20) filter retains the finest dust particles.

#### Note:

- provide that the HEPA filter (20) is always clean, because the overall performance of the vacuum cleaner depends on it;
- the dust bin (11) is equipped with the blocking device (21) preventing the dust bin (11) installation without the HEPA filter (20). Always

*make sure that the HEPA filter (20) is installed properly before setting the dust bin (11) back to its place.*

## USING THE VACUUM CLEANER

### Safety measures

- Do not use the vacuum cleaner near hot surfaces, such as ashtrays and in places where inflammable liquids are stored.
- Take sharp objects away from the floor before cleaning to prevent unit damage.
- If the suction power of the vacuum cleaner decreases rapidly while cleaning, switch it off immediately and check the telescopic pipe (4) and the flexible hose (7) for obstruction. Switch the vacuum cleaner off, then unplug it, remove the obstruction and only after that continue cleaning.

## USING THE VACUUM CLEANER

**ATTENTION!** *You may switch the vacuum cleaner on only with the dust bin (11) installed with the HEPA filter (20) installed in the dust bin, and with the outlet HEPA filter (18) installed.*

*Always check that the filters (18, 20) are installed properly.*

- Before using the unit, unwind the power cord to the required length and insert the power plug into the mains socket.
- The yellow mark on the power cord indicates the maximum cord length. Do not unwind the power cord further than the red mark.
- Press the on/off button (14) to switch the vacuum cleaner on.
- During the operation you can control the suction power using the power control (15) and the manual suction power control (5) on the flexible hose handle (6). After room cleaning switch the vacuum cleaner off by pressing the on/off button (14) and unplug the unit.
- To wind the power cord, press the button (16), hold the winding cord with your hand to avoid its whipping and damage.
- During the breaks you can place the brush (1) in the brush storage (17).

**Note:** *before replacing the brush (1) or the attachments (24, 25) or cleaning the dust bin (11) switch the vacuum cleaner off and take the power plug out of the mains socket.*

## CLEANING AND MAINTENANCE

### Cleaning the dust bin (11)

In order to avoid foreign smell from dust and garbage it is recommended to remove the dust and

garbage from the dust bin (11) after every room cleaning.

- Switch the vacuum cleaner off and unplug it.
- Holding the handle (12), move the dust bin lock button (13) and remove the dust bin (11) from the vacuum cleaner body pulling upwards (pic. 4).
- Press the dust bin lid release button (22) and open the dust bin lid (23) (pic. 5).
- Place the dust bin above the trash bin, turn the dust bin (11) upside down and remove the dust and garbage (pic. 6).
- Close the lid (23) and make sure that the lid (23) is fixed properly.
- Install the dust bin (11) back to its place.

### Cleaning the HEPA filter (20)

#### in the dust bin (11)

- Preliminarily remove dust and garbage from the dust bin (11) as described above.
- Remove the HEPA filter (20) (pic. 7).
- Clean the HEPA filter (20) from dust and garbage and wash the HEPA filter (20) under warm water jet.

#### Note:

- *wash the HEPA filter (20), directing the water jet to the outer side of the HEPA Filter (20).*
- Do not wash the filter (20) in a dishwashing machine.
- Dry the filter thoroughly.
- Do not dry the HEPA filter (20) with a hairdryer.
- Wash the dust bin (11), wipe it and dry.
- Install the HEPA filter (20) back to its place.

#### Note:

- *if you cannot install the dust bin (11) to its place, check whether the HEPA filter (20) is installed properly.*
- Install the assembled dust bin (11) back to its place.

### ATTENTION!

*Before installing the dust bin (11) into the vacuum cleaner body make sure that the HEPA filter (20) is dry and there is no moisture inside the dust bin (11).*

### Cleaning the outlet HEPA filter (18)

- Switch the vacuum cleaner off and unplug it.
- Remove the outlet filter grid (19) by pressing the clamp, press the clamp and remove the HEPA filter (18).
- Wash the HEPA filter (18) under slightly warm water jet. Do not wash filters in a dishwashing machine.
- Dry the HEPA filter (18). Do not dry the HEPA filter (18) with a hairdryer.

# ENGLISH

- Install the HEPA filter (18) back to its place.
- Install the outlet filter grid (19) back to its place.

## Notes:

- Before installing the HEPA filter (18) make sure that it is dry.
- Do not dry the HEPA filter (18) with a hairdryer.

## Vacuum cleaner body

- Wipe the vacuum cleaner body with a soft, slightly damp cloth and then wipe it dry.
- Do not immerse the body of the vacuum cleaner, the power cord and the power plug of the unit into water or other liquids. Provide that no liquid gets inside the vacuum cleaner body.
- Never use solvents or abrasives to clean the surface of the vacuum cleaner.

## STORAGE

- Before taking the vacuum cleaner away for long term storage, clean its body, the dust bin (11) and the filters (18, 20).
- For easy storing use the horizontal (17) and vertical brush storage on the vacuum cleaner body bottom.
- Keep the vacuum cleaner in a dry cool place out of reach of children and disabled persons.

## DELIVERY SET

Vacuum cleaner with the dust bin and filters installed – 1 pc.

Flexible hose – 1 pc.

Telescopic extension pipe – 1 pc.

Universal brush with the “FLOOR/CARPET” switch – 1 pc.

Universal crevice nozzle – 1 pc.

Furniture brush – 1 pc.

Attachment holder – 1 pc.

Manual – 1 pc.

## TECHNICAL SPECIFICATIONS

Power supply: 220-240 V ~ 50 Hz

Rated input power: 1600 W

Maximum power consumption: 2000 W

Suction power: 350 W

## RECYCLING



For environment protection do not throw out the unit and the batteries (if included), do not discard the unit and the batteries with usual household waste after the service life expiration; apply to specialized centers for further recycling.

The waste generated during the disposal of the unit is subject to mandatory collection and consequent disposal in the prescribed manner.

For further information about recycling of this product apply to a local municipal administration, a disposal service or to the shop where you purchased this product.

*The manufacturer preserves the right to change design, structure and specifications not affecting general principles of the unit operation without a preliminary notification due to which insignificant differences between the manual and product may be observed. If the user reveals such differences, please report them via e-mail info@vitek.ru for receipt of an updated manual.*

## The unit operating life is 3 years

## Guarantee

Details regarding guarantee conditions can be obtained from the dealer from whom the appliance was purchased. The bill of sale or receipt must be produced when making any claim under the terms of this guarantee.



*This product conforms to the EMC Directive 2014/30/EU and to the Low Voltage Directive 2014/35/EU.*

## ПЫЛЕСОС VT-8128

Пылесос предназначен для сухой уборки помещений.

### ОПИСАНИЕ

1. Универсальная щетка с переключателем «ПОЛ/КОВЕР»
2. Переключатель режимов «ПОЛ/КОВЕР»
3. Фиксатор телескопической трубки
4. Телескопическая удлинительная трубка
5. Ручной регулятор мощности всасывания
6. Ручка гибкого шланга
7. Гибкий шланг
8. Наконечник гибкого шланга
9. Фиксатор наконечника гибкого шланга
10. Воздухозаборное отверстие
11. Контейнер-пылесборник
12. Ручка для переноски контейнера-пылесборника и пылесоса
13. Клавиша фиксатора контейнера-пылесборника
14. Клавиша включения/выключения
15. Регулятор мощности всасывания
16. Клавиша сматывания сетевого шнура
17. Место «парковки» щётки
18. Выходной HEPA-фильтр
19. Решётка выходного фильтра
20. Входной HEPA-фильтр
21. Устройство блокировки
22. Клавиша фиксатора крышки контейнера-пылесборника
23. Крышка контейнера-пылесборника
24. Насадка для чистки мебельной обивки
25. Универсальная щелевая насадка
26. Держатель для насадок

### МЕРЫ БЕЗОПАСНОСТИ

Перед использованием устройства внимательно прочитайте настоящее руководство по эксплуатации и сохраняйте его в течение всего срока эксплуатации.

Используйте устройство только по его прямому назначению, как изложено в данном руководстве. Неправильное обращение с устройством может привести к его поломке, причинению вреда пользователю или его имуществу.

Для снижения риска возникновения пожара, для защиты от поражения электрическим током и защиты от травм следуйте приведённым ниже рекомендациям.

- Прежде чем подключить устройство к электросети, убедитесь в том, что напряжение,

указанное на устройстве, соответствует напряжению электросети в вашем доме.

- Во избежание риска возникновения пожара не используйте переходники при подключении устройства к электрической розетке.
- Не оставляйте пылесос без присмотра, когда он включён в сетевую розетку. Обязательно вынимайте вилку сетевого шнура из электрической розетки, если не пользуетесь пылесосом, при смене насадок, а также перед обслуживанием устройства.
- Для снижения риска удара электрическим током не используйте пылесос вне помещений, запрещается использовать пылесос для сбора воды или любой другой жидкости (не используйте пылесос на влажных поверхностях).
- Переносить пылесос можно, только взявшись за ручку для переноски.
- Не используйте сетевой шнур для переноски пылесоса, не закрывайте дверь, если сетевой шнур проходит через дверной проём, избегайте контакта сетевого шнура с острыми краями или углами мебели, а также с нагретыми поверхностями. Во время уборки помещения запрещается переезжать пылесосом через сетевой шнур – вы можете его повредить. Сначала обязательно отключайте пылесос кнопкой включения/выключения, и только после этого можно вынимать вилку сетевого шнура из электрической розетки.
- Отключая устройство от электрической сети, не тяните за сетевой шнур, а беритесь за вилку сетевого шнура.
- Не прикасайтесь к сетевой вилке или к корпусу пылесоса мокрыми руками.
- Во время сматывания сетевого шнура держивайте шнур рукой, не допускайте, чтобы сетевая вилка ударялась о поверхность пола.
- Запрещается закрывать выходное отверстие устройства какими-либо предметами.
- Запрещается включать устройство, если какое-либо из его отверстий заблокировано.
- Следите за тем, чтобы волосы, свободно висящие элементы одежды, пальцы или другие части тела не находились рядом с воздухозаборными отверстиями пылесоса.
- Будьте особенно внимательны при уборке лестничных площадок.
- Запрещается использовать пылесос для сбора растворителей и легковоспламеняющихся жидкостей, таких как бензин; запре-

# РУССКИЙ

- щается использовать пылесос в местах хранения таких жидкостей.
- Запрещается с помощью пылесоса собирать воду или любые другие жидкости, горящие или дымящиеся сигареты, спички, тлеющий пепел, а также тонкодисперсную пыль, например, от штукатурки, бетона, муки или золы.
  - Запрещается использовать пылесос, если:
    - не установлен или неправильно установлен пылесборник;
    - не установлены входной и выходной фильтры.
  - Не погружайте корпус пылесоса в воду или в любые другие жидкости.
  - Используйте только те аксессуары и насадки, которые входят в комплект поставки.
  - Проводите регулярную чистку пылесоса.
  - Храните пылесос в сухом прохладном месте.
  - Не используйте пылесос для чистки домашних животных.
  - Будьте особенно внимательны, если поблизости от работающего устройства находятся дети или лица с ограниченными возможностями.
  - Данное устройство не предназначено для использования детьми. Во время работы и в перерывах между рабочими циклами размещайте устройство в местах, недоступных для детей.
  - Прибор не предназначен для использования лицами (включая детей) с пониженными физическими, психическими или умственными способностями или при отсутствии у них опыта или знаний, если они не находятся под контролем или не проинструктированы об использовании прибора лицом, ответственным за их безопасность.
  - Осуществляйте надзор за детьми, чтобы не допустить использования устройства в качестве игрушки.
  - Из соображений безопасности детей не оставляйте полиэтиленовые пакеты, используемые в качестве упаковки, без присмотра.

**Внимание!** Не разрешайте детям играть с полиэтиленовыми пакетами или упаковочной плёнкой. **Опасность удушья!**

- Регулярно проверяйте состояние вилки сетевого шнура и сам сетевой шнур на отсутствие повреждений.
- Запрещается использовать устройство при наличии повреждений сетевого шнура или сетевого шнура, если устройство работает с перерывами, а также после падения устройства.

- Запрещается самостоятельно ремонтировать прибор. Не разбирайте прибор самостоятельно, при возникновении любых неисправностей, а также после падения устройства выключите прибор из электрической розетки и обратитесь в любой авторизованный (уполномоченный) сервисный центр по контактным адресам, указанным в гарантийном талоне и на сайте [www.vitek.ru](http://www.vitek.ru).
- Перевозите устройство только в заводской упаковке.
- Храните устройство в местах, недоступных для детей и людей с ограниченными возможностями.

**УСТРОЙСТВО ПРЕДНАЗНАЧЕНО ТОЛЬКО ДЛЯ БЫТОВОГО ИСПОЛЬЗОВАНИЯ В ЖИЛЫХ ПОМЕЩЕНИЯХ, ЗАПРЕЩАЕТСЯ КОММЕРЧЕСКОЕ ИСПОЛЬЗОВАНИЕ И ИСПОЛЬЗОВАНИЕ УСТРОЙСТВА В ПРОИЗВОДСТВЕННЫХ ЗОНАХ И РАБОЧИХ ПОМЕЩЕНИЯХ.**

## ПЕРЕД ПЕРВЫМ ИСПОЛЬЗОВАНИЕМ

**После транспортировки или хранения устройства при пониженной температуре необходимо выдержать его при комнатной температуре не менее трёх часов.**

- Извлеките устройство из упаковки, удалите все упаковочные материалы и рекламные наклейки, мешающие нормальной работе пылесоса.
- Проверьте целостность устройства, при наличии повреждений не пользуйтесь устройством.
- Перед включением убедитесь в том, что напряжение электрической сети соответствует рабочему напряжению устройства.

## СБОРКА ПЫЛЕСОСА

### Подсоединение и снятие гибкого шланга

- Вставьте наконечник гибкого шланга (8) в воздухозаборное отверстие (10) (рис. 1).
- Вставляйте шланг с небольшим усилием, до фиксации.
- При необходимости снять гибкий шланг нажмите на фиксатор (9) и отсоедините шланг.

### Подсоединение телескопической трубки и насадок

- Подсоедините телескопическую удлинительную трубку (4) к ручке гибкого шланга (6) (рис. 2).



- Выдвиньте нижнюю часть телескопической трубки на необходимую длину, предварительно нажав на фиксатор (3).
- Выберите необходимую насадку – щётку для пола/ковровых покрытий (1), щелевую насадку (25) или насадку (24) – и подсоедините её к телескопической удлинительной трубке (4).
- При необходимости можно подсоединять насадки (24, 25) непосредственно к ручке гибкого шланга (6).
- Во время работы держитесь за ручку (6).

## ИСПОЛЬЗОВАНИЕ ЩЁТОК-НАСАДОК

### Универсальная щётка с переключателем «ПОЛ/КОВЕР» (1)

Установите переключатель (2) на щётке (1) в необходимое положение (в зависимости от типа поверхности, на которой производится уборка).

### Универсальная щелевая насадка (25)

Насадка может использоваться как щётка для удаления пыли или как щелевая насадка, для этого установите щётку в нужное положение.

### Насадка для чистки мебельной обивки (24)

Используйте насадку (24) для чистки тканевых поверхностей мягкой мебели.

### Держатель насадок (26)

Установите держатель (26) в любом месте гибкого шланга (7), установите на держатель (26) насадки (24 и 25).

### Контейнер-пылесборник (11)

Контейнер-пылесборник (11) оснащён циклоническим фильтром, который отсеивает мусор и пыль из входящего воздуха, а HEPA-фильтр (20) окончательно задерживают самые мелкие частицы пыли.

#### Примечание:

- всегда следите за чистотой HEPA-фильтра (20), поскольку от этого зависит эффективность работы пылесоса;
- в контейнере-пылесборнике (11) имеется устройство блокировки (21), предотвращающее установку контейнера (11) без установленного HEPA-фильтра (20), всегда проверяйте правильность установки HEPA-фильтра (20) перед установкой контейнера-пылесборника (11) на место.

## ИСПОЛЬЗОВАНИЕ ПЫЛЕСОСА

### Меры предосторожности

- Не производите уборку пылесосом в непосредственной близости от сильно нагретых поверхностей, например, рядом с пепельницами, а также в местах хранения легковоспламеняющихся жидкостей.
- Перед началом уборки уберите с пола острые предметы, чтобы не допустить повреждения устройства.
- Если во время уборки резко снизилась всасывающая мощность пылесоса, немедленно выключите его и проверьте телескопическую трубку (4) или шланг (7) на предмет засорения. Выключите пылесос, затем отключите его от электрической сети, устраните засор, и только после этого можно продолжать уборку.

## ЭКСПЛУАТАЦИЯ

**ВНИМАНИЕ!** Включать пылесос можно только с установленным контейнером-пылесборником (11) и установленными в нём HEPA-фильтром (20), а также с установленным выходным (18) HEPA-фильтром.

Обязательно проверяйте правильность установки фильтров (18, 20).

- Перед началом работы вытяните сетевого шнура на необходимую длину и вставьте вилку сетевого шнура в электрическую розетку.
  - Жёлтая отметка на сетевом шнуре предупреждает о максимальной длине сетевого шнура. Запрещается вытягивать сетевой шнур дальше красной отметки.
  - Для включения пылесоса нажмите на клавишу включения/выключения (14).
  - Во время работы вы можете регулировать мощность всасывания регулятором (15), а также с помощью ручного регулятора мощности всасывания (5), расположенного на ручке гибкого шланга (6). По окончании уборки в помещении нажмите на клавишу включения/выключения (14) и извлеките вилку сетевого шнура из электрической розетки.
  - Для сматывания сетевого шнура нажмите на клавишу (16), придерживайте рукой сматывающийся шнур во избежание его захламления и повреждения.
  - В перерывах между уборкой можно устанавливать щётку (1) в место для «парковки» (17).
- Примечание:** перед заменой щётки (1) или насадок (24, 25), перед чисткой контейнера-пылесборника (11) отключайте пылесос и извлекайте вилку сетевого шнура из электрической розетки.

## ЧИСТКА И УХОД

### Чистка контейнера-пылесборника (11)

В целях предотвращения появления посторонних запахов от пыли и мусора, рекомендуется производить удаление мусора и пыли из контейнера-пылесборника (11) после каждой уборки помещения.

- Выключите пылесос и отключите его от сети.
- Возьмитесь за ручку (12), сдвиньте клавишу фиксатора контейнера-пылесборника (13) и выньте контейнер-пылесборник (11) из корпуса пылесоса по направлению вверх (рис. 4).
- Нажмите на клавишу фиксатора крышки контейнера-пылесборника (22) и откройте крышку контейнера-пылесборника (23) (рис. 5).
- Расположите контейнер-пылесборник над мусорным ведром, переверните контейнер-пылесборник (11) и удалите из него пыль и мусор (рис. 6).
- Закройте крышку (23), убедитесь, что крышка (23) зафиксирована.
- Установите контейнер (11) на место.

### Чистка HEPA-фильтра (20) в контейнере-пылесборнике (11)

- Предварительно очистите контейнер (11) от мусора и пыли, как описано выше.
- Снимите HEPA-фильтр (20) (рис. 7).
- Очистите HEPA-фильтр (20) от пыли и мусора, промойте HEPA-фильтр (20) под струей теплой воды.

#### Примечание:

- промывайте HEPA-фильтр (20), направляя струю воды на внешнюю сторону HEPA-фильтра (20).
- Не используйте для промывки фильтра (20) посудомоечную машину.
- Тщательно просушите фильтр.
- Запрещается для сушки HEPA-фильтра (20) использовать фен.
- Промойте контейнер-пылесборник (11), вытрите его и просушите.
- Установите HEPA-фильтр (20) на место.

#### Примечание:

- если контейнер-пылесборник (11) не удаётся установить на место, проверьте правильность установки HEPA-фильтра (20).
- Установите собранный контейнер-пылесборник (11) в корпус пылесоса.

## ВНИМАНИЕ!

Перед установкой контейнера-пылесборника (11) в корпус пылесоса убедитесь, что HEPA-фильтр (20) – сухой, и внутри контейнера-пылесборника (11) отсутствует влага.

### Чистка выходного HEPA-фильтра (18)

- Выключите пылесос и отключите его от электрической сети.
- Снимите решётку выходного фильтра (19), нажав на фиксатор, нажмите на фиксатор и извлеките HEPA-фильтр (18).
- Промойте HEPA-фильтр (18) под струёй слегка тёплой воды. Не используйте для промывки фильтров посудомоечную машину.
- Просушите HEPA-фильтр (18). Запрещается использовать фен для сушки HEPA-фильтра (18).
- Установите HEPA-фильтр (18) на место.
- Установите на место решётку выходного фильтра (19).

#### Примечания:

- перед установкой HEPA-фильтра (18) убедитесь в том, что он сухой.
- запрещается использовать фен для сушки HEPA-фильтра (18).

### Корпус пылесоса

- Протирайте корпус пылесоса слегка влажной мягкой тканью, после чего вытрите насухо.
- Запрещается погружать корпус пылесоса, сетевой шнур и вилку сетевого шнура в воду или в любые другие жидкости. Не допускайте попадания жидкости внутрь корпуса пылесоса.
- Запрещается для чистки поверхности пылесоса использовать растворители и абразивные чистящие средства.

### ХРАНЕНИЕ

- Прежде чем убрать пылесос на длительное хранение, проведите чистку корпуса, пылесборника (11) и фильтров (18, 20).
- Для удобства при хранении используйте место горизонтальной (17) «парковки» щётки и вертикальной парковки, расположенное на днище корпуса пылесоса.
- Храните пылесос в сухом прохладном месте, недоступном для детей и людей с ограниченными возможностями.

## КОМПЛЕКТАЦИЯ

Пылесос с установленным контейнером-пылесборником и фильтрами – 1 шт.  
 Гибкий шланг – 1 шт.  
 Телескопическая удлинительная трубка – 1 шт.  
 Универсальная щетка с переключателем «ПОЛ/КОВЕР» – 1 шт.  
 Универсальная щелевая насадка – 1 шт.  
 Насадка для чистки мебельной обивки – 1 шт.  
 Держатель насадок – 1 шт.  
 Инструкция – 1 шт.

## ТЕХНИЧЕСКИЕ ХАРАКТЕРИСТИКИ

Электропитание: 220-240 В ~ 50 Гц  
 Номинальная потребляемая мощность: 1600 Вт  
 Максимальная потребляемая мощность: 2000 Вт  
 Мощность всасывания: 350 Вт

## УТИЛИЗАЦИЯ



В целях защиты окружающей среды, после окончания срока службы прибора и элементов питания (если входят в комплект), не выбрасывайте их вместе с обычными бытовыми отходами, передайте прибор и элементы питания в специализированные пункты для дальнейшей утилизации.

Отходы, образующиеся при утилизации изделий, подлежат обязательному сбору с последующей утилизацией в установленном порядке. Для получения дополнительной информации об утилизации данного продукта обратитесь в местный муниципалитет, службу утилизации бытовых отходов или в магазин, где Вы приобрели данный продукт.

*Производитель сохраняет за собой право изменять дизайн, конструкцию и технические характеристики прибора, не влияющие на общие принципы работы прибора, с целью его улучшения без предварительного уведомления, из-за чего между инструкцией и изделием могут наблюдаться некоторые различия. Если пользователь обнаружил такое несоответствие, просим об этом сообщить по электронной почте [info@vitek.ru](mailto:info@vitek.ru) для получения обновленной версии инструкции.*

**Срок службы устройства – 3 года**



*Данное изделие соответствует всем требуемым европейским и российским стандартам безопасности и гигиены.*

**ИЗГОТОВИТЕЛЬ:** СТАР ПЛЮС ЛИМИТЕД  
 (STAR PLUS LIMITED)

**МЕСТОНАХОЖДЕНИЕ И ПОЧТОВЫЙ АДРЕС ДЛЯ СВЯЗИ:** ЮНИТ БИ ЭНД СИ, 15Й ЭТАЖ, КЭЙСИ АБЕРДИН ХАУС, №38, ХЁНГ ИП РОУД, ВОНГ ЧУК ХАНГ, ГОНКОНГ, КНР

**ИМПОРТЕР:** ООО «ВИТЕК.РУС»

**МЕСТОНАХОЖДЕНИЕ И ПОЧТОВЫЙ АДРЕС ДЛЯ СВЯЗИ:** 117209, РФ, Г. МОСКВА, СЕВАСТОПОЛЬСКИЙ ПР-КТ, Д. 28, КОРП. 1.

[www.vitek.ru](http://www.vitek.ru)

**ТЕЛЕФОН ДЛЯ СПРАВОК:** 8-800-100-18-30

СДЕЛАНО В КНР

# ҚАЗАҚША

## ШАҢСОРҒЫШ VT-8128

Шаңсорғыш панажайларды құрғақ жинастыру үшін арналған.

### СИПАТТАМАСЫ

1. «ЕДЕН/КІЛЕМ» ауыстырғышы бар әмбебап қылшақ
2. «ЕДЕН/КІЛЕМ» режимдерінің ауыстырғышы
3. Телескопты түтік бекіткіші
4. Телескопты ұзартқыш түтік
5. Сорғызу қуатының қолмен реттегіші
6. Иілгіш құбыршектің қолсабы
7. Иілгіш құбыршек
8. Иілгіш құбыршек ұштамасы
9. Иілгіш құбыршек ұштамасының бекіткіші
10. Ауатартқыш саңылау
11. Контейнер-шаңжинауыш
12. Шаңжинағыш-контейнер мен шаңсорғышты тасымалдауға арналған қолсап
13. Шаңжинағыш-контейнерді бекітетін батырма
14. Қосу / сөндіру батырмасы
15. Сорғызу қуатының реттегіші
16. Бауды артқа айналдыру батырмасы
17. Қылшақ «тұрағы» орны
18. Шығу HEPA-сүзгісі
19. Шығу сүзгісінің торы
20. Кіру HEPA-сүзгісі
21. Бұғаттау құрылғысы
22. Шаңжинағыш-контейнер қақпағын бекіту батырмасы
23. Шаңжинағыш-контейнер қақпағы
24. Жиһаз қаптауын тазалауға арналған қондырма
25. Әмбебап саңылаулық қондырма
26. Қондырмаларға арналған ұстағыш

### ҚАУІПСІЗДІК ШАРАЛАРЫ

Құрылғыны пайдалану алдында берілген пайдалану бойынша басшылықты зейін қойып оқып шығыңыз және оны бүкіл пайдалану мерзімі бойы сақтаңыз. Құрылғыны тек оның тікелей міндеті бойынша ғана берілген басшылықта жазылғандай пайдаланыңыз. Аспапты дұрыс қолданбау оның бұзылуына, пайдаланушыға немесе оның мүлігіне зиян келтіруі мүмкін.

Өртену, электр тоғымен зақымдану немесе жарақат алу тәуекелін азайту үшін төмендегі қауіпсіздік шаралары бойынша ұсыныстарды орындау керек.

- Құрылғыны электр желісіне қосу алдында, құрылғыда көрсетілген жұмыс істеу кернеуі сіздің үйіңіздің электр желісіндегі кернеуге сәйкес болуына көз жеткізіңіз.
- Өрт тәуекеліне жол бермеу үшін құрылғыны электр ашалығына қосқан кезде ауыстырғыштарды пайдаланбаңыз.
- Шаңсорғыш желілік ашалыққа қосуды кезде, оны қараусыз қалдырмаңыз. Сіз шаңсорғышты пайдаланбаған жағдайда, қондырмаларды ауыстырған кезде, сонымен қатар техникалық

қызмет көрсету алдында, желілік бауды электрлік ашалықтан міндетті суырыңыз.

- Электр тоғы соққысы тәуекелін азайту үшін шаңсорғышты бөлмелерден тыс пайдаланбаңыз, шаңсорғышты суды немесе кез-келген басқа сұйықтықтарды жинау үшін пайдалануға тыйым салынады (шаңсорғышты дымқыл беттерде пайдаланбаңыз).
- Шаңсорғышты тасымалдауға арналған қолсаптан ұстап қана тасымалдауға болады.
- Желілік бауды шаңсорғышты тасымалдау үшін пайдаланбаңыз, егер желілік бау есік саңылауын өтетін болса, есікті жаппаңыз, желілік баудың жиһаздың үшкір шеттермен немесе бұрыштарымен жанасуына жол бермеңіз. Бөлмені жинаған кезде желілік баудан шаңсорғышпен жүруге тыйым салынады – сіз оны бүлдіре аласыз. Алдымен шаңсорғышты іске/сөндіру батырмасымен сөндіріңіз және содан кейін ғана желілік баудың айырететігін электрлік ашалықтан шығаруға болады.
- Құрылғыны электрлік желіден ажыратқан кезде желілік баудан тартпаңыз, ал желілік баудың айыретігінен қолыңызбен ұстаңыз.
- Желілік айыретікті немесе шаңсорғыш корпусын сулы қолмен ұстамаңыз.
- Желілік бауды орау кезінде бауды қолыңызбен ұстаңыз, желілік айырететіктің еденге соғылуына жол бермеңіз.
- Құрылғының шығаратын саңылауын қандай да бір заттармен жабуға тыйым салынады.
- Егер құрылғының қандай да бір саңылауы бөгеттелген болса, оны іске қосуға тыйым салынады.
- Шаштардың, сонымен қатар бос салбыраған киім бөліктері, саусақтар немесе басқа дене мүшелері шаңсорғыштың ауатартқыш саңылауларының қасында орналаспауын қадағалаңыз.
- Баспалдақ алаңшаларын жинастырғанда аса назар болыңыз.
- Шаңсорғышты бензин, еріткіштер сияқты жеңіл тұтанатын сұйықтықтарды жинауға пайдалануға тыйым салынады; шаңсорғышты осындай сұйықтықтарды сақтайтын жерлерде пайдалануға тыйым салынады.
- Шаңсорғыш көмегімен суды немесе басқа сұйықтықтарды, жанып немесе түтіндеп жатқан темекілерді, сіріңкелерді, шоқты, сонымен қатар сылақтың, бетонның, ұнның немесе күлдің майда түйіршікті шаңын жинауға тыйым салынады.
- Егер мыналар орнатылмаған болса шаңсорғышты пайдалануға тыйым салынады:
  - шаңжинауыш орнатылмаған немесе дұрыс құрастырылмаған;
  - кіргізетін және шығаратын сүзгілер.
- Шаңсорғыш корпусын суға немесе кез-келген басқа сұйықтықтарға матырмаңыз.
- Жеткізілім жинағына кіретін жабдықтар мен қондырмаларды ғана пайдаланыңыз.

- Шаңсорғышты мезгілімен тазалауды жүргізіңіз.
- Шаңсорғышты құрғақ салқын жерде сақтаңыз.
- Шаңсорғышты үй жануарларын тазалау үшін пайдаланбаңыз.
- Жұмыс істеп тұрған құрылғының қасында балалар немесе мүмкіндіктері шектеулі тұлғалар болса, аса назар болыңыз.
- Берілген құрылғы балалардың пайдалануына арналмаған. Жұмыс уақытында және жұмыс циклдері арасындағы үзілістерде құрылғыны балалардың қолы жетпейтін жерлерде орналастырыңыз.
- Дене, жүйке немесе сана мүмкіндіктері төмендетілген тұлғалардың (балаларды қоса) немесе оларда тәжірибесі немесе білімі болмаса, егер олар бақыланбаса немесе олардың қауіпсіздігі үшін жауап беретін тұлғамен аспапты пайдалану туралы нұсқаулықтар берілген болмаса, аспап олардың пайдалануына арналмаған.
- Балаларға шаңсорғышты ойыншық ретінде пайдалануға рұқсат етпеңіз.
- Балалардың қауіпсіздігі мақсатында орау ретінде пайдаланылатын полиэтилен қаптарды қараусыз қалдырмаңыз.

**Назар аударыңыз!** Балаларға полиэтилен қаптармен немесе пленкамен ойнауға рұқсат етпеңіз. **Тұншығу қаупі бар!**

- Желілік баудың айыртетігін және желілік баудың өзін бүлінулердің жоқ екеніне мезгілмен тексеріп тұрыңыз.
- Желілік айыртетік немесе желілік бау бүлінген кезде, құрылғы іркілістермен жұмыс істесе, сонымен қатар ол құлағаннан кейін құрылғыны пайдалануға тыйым салынады.
- Аспапты өз бетімен жөндеуге тыйым салынады. Аспапты өз бетіңізбен бөлшектемеңіз, кез-келген ақаулықтар пайда болғанда, сонымен қатар ол құлғаннан кейін кепілдеме талоны мен [www.vitek.ru](http://www.vitek.ru) сайтында көрсетілген хабарласу мекен-жайлары бойынша кез-келген туындыгерлес (өкілетті) қызмет көрсету орталығына хабарласыңыз.
- Құрылғыны тек зауыттық орауда тасы-малдаңыз.
- Құрылғыны балалардың және мүмкіндіктері адамдардың қолы жетпейтін жерде сақтаңыз.

**ҚҰРЫЛҒЫ ТҰРҒЫН ПАНАЖАЙЛАРДА ТҰРМЫСТЫҚ ПАЙДАЛАНУҮШІН АРНАЛҒАН, ҚҰРЫЛҒЫНЫ КОММЕРЦИЯЛЫҚ ПАЙДАЛАНУ ЖӘНЕ ӨНДІРІСТІК АЙМАҚТАР МЕН ЖҰМЫС ПАНАЖАЙЛАРЫНДА ПАЙДАЛАНУҒА ТЫЙЫМ САЛЫНАДЫ.**

## АЛҒАШ РЕТ ПАЙДАЛАНУ АЛДЫНДА

**Құралды төмен температура жағдайында тасымалдаған немесе сақтаған кезде, оны бөлме температурасында үш сағаттан кем емес уақыт бойы ұстау қажет.**

- Құралды ораудан шығарыңыз, шаңсорғыштың қалпыты жұмыс істеуіне кедергі болатын барлық

- орайтын материалдарды және кез-келген жарнамалық жапсырмаларды алып тастаңыз.
- Құрылғының бүтіндігін тексеріңіз, бүлінделулері болған кезде құрылғыны пайдаланбаңыз.
- Құрылғыны іске қосу алдында электрлік желі кернеуінің құрылғының жұмыс істеу кернеуіне сәйкес келетінін тексеріңіз.

## ШАҢСОРҒЫШТЫ ЖИНАУ

### Иілгіш құбыршекті жалғау және шешу

- Иілгіш құбыршектің ұшына (8) ауатартқыш тесікшеге (10) тығыңыз (1-сурет).
- Құбыршекті сәл күш салып, бекітілгенге дейін тығыңыз.
- Иілгіш құбыршекті шешу қажет болғанда бекіткіштерге (9) басыңыз және құбыршекті шешіңіз.

### Телескопты түтік пен қондырмаларды қосу

- Телескопты ұзартқыш құбырды (4) иілгіш құбыршек қолсабына (6) жалғаңыз (2-сурет).
- Алдын-ала бекіткішке (3) басып, телескопты түтіктің астыңғы бөлігін қажетті ұзындыққа шығарыңыз.
- Қажетті қондырманы таңдаңыз – еден/кілем жабындарына арналған қылшақ (1), саңылауға арналған қылшақ (25) немесе қылшақ (24) – және оны телескопты ұзартқыш түтікке (4) жалғаңыз.
- Қажет болса, қондырмаларды (24, 25) тікелей иілгіш құбыршек қолсабына (6) жалғауға болады.
- Жұмыс кезінде қолсаптан (6) ұстаңыз.

### ҚЫЛШАҚ-ҚОНДЫРМАЛАРДЫ ҚОЛДАНУ

#### «ЕДЕН/КІЛЕМ» ауыстырғышы (1) бар әмбебап қылшақ

Қылшақтағы (1) ауыстырғышты (2) қажетті күйге (жинастыру жүргізіліп жатқан бетке байланысты) белгілеңіз.

#### Әмбебап саңылау қондырмасы (25)

Қондырманы шаңды жоюға арналған қылшақ ретінде немесе саңылау қондырмасы ретінде қолдануға болады, ол үшін қылшақты қажетті күйге қойыңыз.

#### Жиһаз қаптауын тазалауға арналған қондырма (24)

Қондырманы (24) жұмсақ жиһаздың маталы қаптауын тазалау үшін пайдаланыңыз.

#### Қондырмаларды ұстағыш (26)

Ұстағышты (26) иілгіш құбыршектің (7) кез келген жеріне орнатыңыз, қондырмаларды (24 және 25) ұстағышқа (26) орнатыңыз.

#### Шаңжинағыш-контейнер (11)

Шаңжинағыш-контейнер (11) циклонды сүзгімен жабдықталған, ол кіріп жатқан ауадан қоқыс пен

# ҚАЗАҚША

шаңды елеп алады, ал HEPA-сүзгі (20) соңында шаңның ең ұсақ бөлшектерін ұстап қалады.

## **Ескертпе:**

- *әрқашан HEPA-сүзгінің (20) тазалығын қадағалаңыз, себебі бұған шаңсорғыш жұмысының нәтижелілігі байланысты болады;*
- *шаңжинағыш-контейнерінде (11) контейнерді (11) HEPA-сүзгісі орнатылмаған (20) күйінде орнатылуына кедергі келтіретін бұғаттау құрылғысы (21) бар, әрқашан шаңжинағыш-контейнерін (11) орнына қоярда HEPA-сүзгісі (20) орнатылуының дұрыстығын тексеріңіз.*

## **ШАҢСОРҒЫШТЫ ПАЙДАЛАНУ**

### **Сақтандыру шаралары**

- Қатты қыздырылған үстіңгі беттердің тікелей жақын маңдарында, күлсауыттар жанында, сонымен бірге жылдам тұтанатын сұйықтықтарды сақтау орындарында шаңсорғышпен жинауды іске асырмаңыз.
- Жинауды бастау алдында еденнен құралдың бұзылуына жол бермеу үшін үшкір заттарды алып тастаңыз.
- Егер жинастыру кезінде шаңсорғыштың сорғызу қуаттылығы кенет төмендеп кетсе, онда оны дереу сөндіріңіз және телескопты түтіктің (4) немесе құбыршектің (7) қоқыстануын тексеріңіз. Шаңсорғышты сөндіріңіз, содан кейін оны электр желісінен ажыратыңыз, қоқыстануды жойыңыз, және осыдан кейін ғана жинастыруды жалғастыруға болады.

### **ПАЙДАЛАНУЫ**

**HAZAR АУДАРЫҢЫЗ!** Шаңсорғышты орнатылған шаңжинағыш-контейнерімен (11) және оған орнатылған HEPA-сүзгісімен (20), сонымен қатар орнатылған шығу HEPA-сүзгісімен (18) ғана іске қосуға болады.

Сүзгілердің (18, 20) дұрыс орнатылғандығын міндетті түрде тексеріңіз.

- Жұмысты бастамас бұрын желі бауын қажетті ұзындыққа тартыңыз және желі бауының ашасын электр розеткасына қосыңыз.
- Желі бауындағы сары белгі желі бауының максималды ұзындығы екенін ескертеді. Желі бауын қызыл белгіден әрі тартуға тыйым салынады.
- Шаңсорғышты қосу үшін қосу / өшіру батырмасын (14) басыңыз.
- Жұмыс істеу кезінде сіз сорғызу қуатын реттегішпен (15), сонымен қатар иілгіш құбыршектің сабында (6) орналасқан сорғызу қуатының қолмен реттегішінің (5) көмегімен реттей аласыз. Үй-жайды жинастыруды аяқтағаннан кейін қосу/сөндіру батырмасын (14) басыңыз және желі бауының ашасын электр розеткасынан шығарыңыз.
- Желі бауын орау үшін батырмаға (16) басыңыз, оралып жатқан баудың астам оралуы мен

қабатталуына жол бермеу үшін қолмен демеп тұрыңыз.

- Жинау арасындағы үзілістерде қылшақты (1) «тұрақ» орнына (17) орнатуға болады.

**Ескертпе:** қылшақты (1) немесе қондырмаларды (24, 25) алмастырмас бұрын, шаңжинағыш-контейнерін (11) тазаламас бұрын, желі бауының ашасын розеткадан суырып, шаңсорғышты сөндіріңіз.

## **ТАЗАЛАУ ЖӘНЕ КҮТІМ**

### **Шаңжинағыш-контейнерді (11) тазалау**

Шаң мен қоқыстан бөтен иістердің пайда болуына жол бермеу мақсатында үй-жайды әрбір жинағаннан кейін шаңжинағыш-контейнерден (11) қоқыс пен шаңды тазалау керек.

- Шаңсорғышты сөндіріңіз және оны желіден ажыратыңыз.
- Тұтқаны (12) ұстап, шаңжинағыш-контейнеріндегі бекітпе батырмасын (13) сырғытыңыз және шаңжинағыш-контейнерін (11) шаңсорғыш корпусынан жоғары бағытқа қарай шығарып алыңыз (4-сурет).
- Шаңжинағыш-контейнерінің қақпағындағы (22) бекітпе батырмасын басыңыз және шаңжинағыш-контейнерінің қақпағын (23) ашыңыз (5-сурет).
- Шаңжинағыш-контейнерін ұоуыс шелегінің үстіне тақап, шаңжинағыш-контейнерін (11) аударыңыз және ішіндегі шаң мен қоқысты алып шығарыңыз (6-сурет).
- Қақпақты (23) жабаңыз, қақпақтың (23) бекітілгендігіне көз жеткізіңіз.
- Контейнерді (11) орнына орнатыңыз.

### **HEPA-сүзгісін (20) шаңжинағыш-контейнерінде (11) тазалау**

- Контейнерді (11) қоқыс пен шаңнан жоғарыда сипатталғандай алдын-ала тазалаңыз.
- HEPA-сүзгісін (20) шешіп алыңыз (7-сурет).
- HEPA-сүзгісін (20) шаң мен қоқыстардан тазалаңыз, HEPA-сүзгісін (20) жылы су ағыны астында жуып жіберіңіз.

### **Ескертпе:**

- *су ағынын HEPA-сүзгісінің (20) сыртына қарай бағыттап, HEPA-сүзгісін (20) жуыңыз.*
- Сүзгіні (20) жуу үшін ыдыс жуу машинасын қолданбаңыз.
- Сүзгіні мұқият құрғатыңыз.
- HEPA-сүзгіні (20) құрғату үшін фенді пайдалануға тыйым салынады.
- Шаңжинағыш-контейнерді (11) жуыңыз, оны сүртіңіз және құрғатыңыз.
- HEPA-сүзгіні (20) орнына орнатыңыз.

### **Ескертпе:**

- *егер шаңжинағыш-контейнерді (11) орнына орнату мүмкін болмаса, HEPA-сүзгісінің (20) дұрыс орнатылғандығын тексеріңіз.*

- Құрастырылған шаңжинағыш-контейнерді (11) шаңсорғыш корпусына орнатыңыз.

## **НАЗАР АУДАРЫҢЫЗ!**

Шаңжинағыш-контейнерді (11) шаңсорғыш корпусына орнатпас бұрын, НЕРА-сүзгісінің (20) құрғақ екеніне, және шаңжинағыш-контейнерінің (11) ішінде ылғалдың жоқ екеніне көз жеткізіңіз.

## **Шығу НЕРА-сүзгісін (18) тазалау**

- Шаңсорғышты сөндіріңіз және оны электр желісінен ажыратыңыз.
- Бекітпеге басып, шығу сүзгісінің (19) торын шешіңіз, бекітпеге басыңыз және НЕРА-сүзгісін (18) алып шығыңыз.
- НЕРА-сүзгісін (18) сәл жылы ағын судың астында жуып жіберіңіз. Сүзгіштерді жуу үшін ыдыс жуатын машинаны пайдаланбаңыз.
- НЕРА-сүзгісін (18) құрғатыңыз. НЕРА-сүзгісін (18) кептіру үшін фенді пайдалануға тыйым салынады.
- НЕРА-сүзгішті (18) орнына орнатыңыз.
- Шығу сүзгісінің торын (19) орнына орналастырыңыз.

## **Ескертпе:**

- НЕРА-сүзгішті (18) орнына орнату алдында, оның құрғақ екеніне көз жеткізіңіз.
- НЕРА-сүзгісін (18) кептіру үшін фенді қолдануға тыйым салынады.

## **Шаңсорғыш корпусы**

- Шаңсорғыш корпусын сәл дымқыл жұмсақ матамен сүртіңіз, содан кейін құрғатып сүртіңіз.
- Шаңсорғыш корпусын, желі бауын және желі бауының ашасын суға немесе кез-келген басқа сұйықтықтарға салуға тыйым салынады. Шаңсорғыш корпусының ішіне сұйықтықтың тиюіне жол бермеңіз.
- Шаңсорғыш бетін тазалау үшін еріткіштерді және қажайтын тазалағыш заттарды пайдалануға тыйым салынады.

## **САҚТАЛУЫ**

- Шаңсорғышты ұзақ уақытқа сақтау үшін алып тастамас бұрын, корпусын, шаңжинағышын (11) және сүзгілерді (18, 20) тазалаңыз.
- Сақтау кезіндегі ыңғайлылық үшін шаңсорғыш корпусының түбінде орналасқан қылшақтың көлденең (17) немесе тігінен «тұрағының» орнын пайдаланыңыз.
- Шаңсорғышты құрғақ салқын, балалардың және мүмкіндіктері шектеулі адамдардың қолы жетпейтін жерде сақтаңыз.

## **ЖИНАҚТАЛЫМЫ**

Шаңсорғыш (орнатылған сүзгіштермен және шаңжинағыш-контейнерімен) – 1 дн.  
Иілгіш құбыршек – 1 дана.  
Телескопты ұзартқыш түтік – 1 дн.

«ЕДЕН / КІЛЕМ» қосқышымен әмбебап қылшақ – 1 дана.

Әмбебап саңылаулық қондырма – 1 дана.

Жиһаз қаптауын тазалауға арналған қондырма – 1 дана.

Қондырмалар тұтынатын қуаты: 2000 Вт

Нұсқаулық – 1 дана.

## **ТЕХНИКАЛЫҚ СИПАТТАМАЛАРЫ**

Электр қуаттандыруы: 220-240 В ~ 50 Гц

Номиналдық тұтыну қуаты: 1600 Вт

Максималды тұтынатын қуаты: 2000 Вт

Сору қуаты: 350 Вт

## **ПАЙДАҒА АСЫРУ**



Қоршаған ортаны қорғау мақсатында, аспаптың және қуаттандыру элементтерінің (егер жинақтың құрамына кірсе) қызмет ету мерзімі аяқталғаннан кейін, оларды күнделікті тұрмыстық қалдықтармен бірге тастауға болмайды, аспап пен қуаттандыру элементтерін ары қарай кәдеге асыру үшін мамандандырылған орындарға өткізу керек.

Бұйымдарды қайта өңдеу кезінде пайда болатын қалдықтар белгіленген тәртіп бойынша келесі қайта өңделетін міндетті жинауға жатады.

Берілген өнімді қайта өңдеу туралы қосымша ақпаратты алу үшін жергілікті муниципалитетке, тұрмыстық қалдықтарды қайта өңдеу қызметіне немесе берілген өнімді Сіз сатып алған дүкенге хабарласыңыз.

*Дайындаушы аспапты жақсарту мақсатында, алдын-ала хабарламай, аспаптың дизайнын, конструкциясы және оның жұмыс қағидатына әсер етпейтін техникалық сипаттарын өзгерту құқығын өзіне қалдырады, соған байланысты нұсқаулық пен бұйымның арасында кейбір айырмашылықтар болуы мүмкін. Егер пайдаланушы осындай сәйкессіздіктерді анықтаса, нұсқаулықтың жаңартылған нұсқасын алу үшін сәйкессіздік туралы info@vitek.ru электрондық поштасына хабарлауыңызды сұраймыз.*

**Құралдың қызмет ету мерзімі – 3 жыл**

## **Гарантиялық міндеттілігі**

Гарантиялық жағдайдағы қаралып жатқан бөлшектер дилерден тек сатып алынған адамға ғана беріледі. Осы гарантиялық міндеттілігіндегі шагымдалған жағдайда төлеген чек немесе квитанциясын көрсетуі қажет.



# УКРАЇНЬСКА

## ПИЛОСОС VT-8128

Пилосос призначений для сухого прибирання приміщень.

### ОПИС

1. Універсальна щітка з перемикачем «ПІДЛОГА/КИЛИМ»
2. Перемикач режимів «ПІДЛОГА/КИЛИМ»
3. Фіксатор телескопічної трубки
4. Телескопічна подовжувальна трубка
5. Ручний регулятор потужності всмоктування
6. Ручка гнучкого шланга
7. Гнучкий шланг
8. Наконечник гнучкого шланга
9. Фіксатор наконечника гнучкого шланга
10. Повітрязабірний отвір
11. Контейнер-пилосбірник
12. Ручка для перенесення контейнера-пилосбірника та пилососа
13. Клавіша фіксатора контейнера-пилосбірника
14. Клавіша увімкнення/вимкнення
15. Регулятор потужності всмоктування
16. Клавіша змотування мережного шнура
17. Місце «паркування» щітки
18. Вихідний HEPA-фільтр
19. Решітка вихідного фільтра
20. Вхідний HEPA-фільтр
21. Пристрій блокування
22. Клавіша фіксатора кришки контейнера-пилосбірника
23. Кришка контейнера-пилосбірника
24. Насадка для чищення меблевої оббивки
25. Універсальна щілинна насадок
26. Тримач для насадок

### ЗАХОДИ БЕЗПЕКИ

Перед використанням пристрою уважно прочитайте цю інструкцію з експлуатації та зберігайте її протягом всього терміну експлуатації.

Використовуйте пристрій тільки за його прямим призначенням, як викладено у цьому керівництві. Неправильне поводження з пристроєм може призвести до його поломки, завдання шкоди користувачеві або його майну.

Для зниження ризику виникнення пожежі, для захисту від ураження електричним струмом та захисту від травм дотримуйтесь приведених нижче рекомендацій.

- Перш ніж підняти пристрій до електромережі, переконайтеся в тому, що напруга, вказана на пристрої, відповідає напрузі електромережі у вашому будинку.
- Щоб уникнути ризику виникнення пожежі, не використовуйте перехідники при підключенні пристрою до електричної розетки.
- Не залишайте пилосос без нагляду, коли він увімкнений в мережну розетку. Обов'язково виймайте вилку мережного шнура з електричної розетки, якщо не користуєтеся пилососом,

при зміні насадок, а також перед обслуговуванням пристрою.

- Для зниження ризику ураження електричним струмом не використовуйте пилосос поза приміщеннями, забороняється використовувати пилосос для збирання води або будь-якої іншої рідини (не використовуйте пилосос на вологих поверхнях).
- Переносити пилосос можна тільки узявшись за ручку для перенесення.
- Не використовуйте мережний шнур для перенесення пилососа, не закривайте двері, якщо мережний шнур проходить через дверний проріз, уникайте контакту мережного шнура з гострими краями або кутами меблів, а також з нагрітими поверхнями. Під час прибирання приміщення забороняється переїжджати пилососом через мережний шнур – ви можете його пошкодити. Спочатку обов'язково вимикайте пилосос кнопкою увімкнення/вимкнення, і тільки після цього можна виймати вилку мережного шнура з електричної розетки.
- Вимикаючи пристрій з електричної мережі, не тягніть за мережний шнур, а беріться за вилку мережного шнура.
- Не торкайтеся мережної вилки або корпусу пилососа мокрими руками.
- Під час змотування мережного шнура притримуйте шнур рукою, не допускайте, щоб мережна вилка вдарялася об поверхню підлоги.
- Забороняється закривати вихідний отвір пристрою якими-небудь предметами.
- Забороняється вмикати пристрій, якщо який-небудь з його отворів заблокований.
- Наглядайте за тим, щоб волосся, вільно висячі елементи одягу, пальці або інші частини тіла не знаходилися поряд з повітрязабірними отворами пилососа.
- Будьте особливо уважні при прибиранні сходових майданчиків.
- Забороняється використовувати пилосос для збирання легкозаймистих рідин, таких як бензин; забороняється використовувати пилосос у місцях зберігання таких рідин.
- Забороняється за допомогою пилососа збирати воду або будь-які інші рідини, гарячі або димлячі сигарети, сірники, тліючий попіл, а також тонкодисперсний пил, наприклад, від тиньку, бетону, борошна або золи.
- Забороняється використовувати пилосос, якщо:
  - не встановлений або неправильно встановлений пилосбірник;
  - не встановлені вхідний та вихідний фільтри.
- Не занурюйте корпус пилососа у воду або у будь-які інші рідини.
- Використовуйте тільки ті аксесуари та насадки, які входять до комплекту постачання.



- Робіть регулярне чищення пилососа.
- Зберігайте пилосос у сухому прохолодному місці.
- Не використовуйте пилосос для чищення домашніх тварин.
- Будьте особливо уважні, якщо поблизу від працюючого пристрою знаходяться діти або особи з обмеженими можливостями.
- Цей пристрій не призначений для використання дітьми. Під час роботи та у перервах між робочими циклами розміщайте пристрій у місцях, недоступних для дітей.
- Пристрій не призначений для використання особами (включаючи дітей) зі зниженими фізичними, психічними або розумовими здібностями або при відсутності у них досвіду або знань, якщо вони не знаходяться під контролем або не проінструктовані щодо використання пристрою особою, відповідальною за їх безпеку.
- Здійснюйте нагляд за дітьми, щоб не допустити використання пристрою як іграшки.
- З міркувань безпеки дітей не залишайте поліетиленові пакети, що використовуються як упаковка, без нагляду.

**Увага!** Не дозволяйте дітям грати з поліетиленовими пакетами або пакувальної плівкою.  
**Небезпека задусення!**

- Перевозьте пристрій лише у заводській упаковці.
- Регулярно перевіряйте стан вилки мережного шнура і сам шнур живлення на наявність пошкоджень.
- Забороняється використовувати пристрій за наявності пошкоджень мережної вилки або мережного шнура, якщо пристрій працює з перебоями, а також після падіння пристрою.
- Забороняється самостійно ремонтувати пристрій. Не розбирайте пристрій самостійно, при виникненні будь-яких несправностей, а також після падіння пристрою вимкніть пристрій з електричної розетки та зверніться до найближчого авторизованого (уповноваженого) сервісного центру за контактними адресами, вказаними у гарантійному талоні та на сайті [www.vitek.ru](http://www.vitek.ru).
- Зберігайте пристрій у місцях, недоступних для дітей та людей з обмеженими можливостями.

**ПРИСТРІЙ ПРИЗНАЧЕНИЙ ТІЛЬКИ ДЛЯ ПОБУТОВОГО ВИКОРИСТАННЯ У ЖИТЛОВИХ ПРИМІЩЕННЯХ, ЗАБОРОНЯЄТЬСЯ КОМЕРЦІЙНЕ ВИКОРИСТАННЯ ТА ВИКОРИСТАННЯ ПРИСТРОЮ У ВИРОБНИЧИХ ЗОНАХ ТА РОБОЧИХ ПРИМІЩЕННЯХ.**

## ПЕРЕД ПЕРШИМ ВИКОРИСТАННЯМ

**Після транспортування або зберігання пристрою при зниженій температурі необхідно**

## **витримати його при кімнатній температурі не менше трьох годин.**

- Витягніть пристрій з упаковки, видаліть всі пакувальні матеріали та будь-які рекламні наклейки, що заважають роботі нормальній пилососа.
- Перевірте цілісність пристрою, за наявності пошкоджень не користуйтеся пристроєм.
- Перед увімкненням переконайтеся в тому, що напруга електричної мережі відповідає робочій напрузі пристрою.

## СКЛАДАННЯ ПИЛОСОСА

### **Приєднання та зняття гнучкого шланга**

- Вставте наконечник гнучкого шланга (8) у повітряозабірний отвір (10) (мал. 1)
- Вставляйте шланг з невеликим зусиллям, до фіксації.
- За необхідністю зняти гнучкий шланг натисніть на фіксатори (9) та від'єднайте шланг.

### **Приєднання телескопічної трубки та насадок**

- Приєднайте телескопічну подовжувальну трубку (4) до ручки гнучкого шланга (6) (мал. 2).
- Висуньте нижню частину телескопічної трубки на необхідну довжину, попередньо натиснувши на фіксатор (3).
- Виберіть необхідну насадку – щітку для підлоги/килимових покриттів (1), щілинну насадку (25) або насадку (24) – та приєднайте її до телескопічної подовжувальної трубки (4).
- Якщо треба, можна приєднувати насадки (24, 25) безпосередньо до ручки гнучкого шланга (6).
- Під час роботи тримайтеся за ручку (6).

## ВИКОРИСТАННЯ ЩІТКО-НАСАДОК

### **Універсальна щітка з перемикачем «ПІДЛОГА/КИЛИМ» (1)**

Установіть перемикач (2) на щітці (1) у необхідне положення (залежно від типу поверхні, на якій здійснюється прибирання).

### **Універсальна щілинна насадка (25)**

Насадка може використовуватися як щітка для видалення пилу або як щілинна насадка, для цього установіть щітку у потрібне положення.

### **Насадка для чищення меблевої оббивки (24)**

Використовуйте насадку (24) для чищення тканинних поверхонь м'яких меблів.

### **Тримач насадок (26)**

Установіть тримач (26) у будь-якому місці гнучкого шланга (7), установіть на тримач (26) насадки (24 та 25).

### **Контейнер-пилосбірник (11)**

Контейнер-пилосбірник (11) оснащено циклонічним фільтром, який відсіює сміття та пил з

# УКРАЇНЬСКА

вхідного повітря, а HEPA-фільтр (20) остаточно затримує найдрібніші частинки пилу.

## **Примітка:**

- завжди наглядуйте за чистотою HEPA-фільтра (20), оскільки від цього залежить ефективність роботи пиłosоса;
- у контейнері-пилосбірнику (11) є пристрій блокування (21), що запобігає установленню контейнера (11) без встановленого HEPA-фільтра (20), завжди перевіряйте правильність установлення HEPA-фільтра (20) перед установленням контейнера-пилосбірника (11) на місце.

## **ВИКОРИСТАННЯ ПИЛОСОСА**

### **Запобіжні заходи**

- Не робіть прибирання пиłosосом у безпосередній близькості від сильно нагрітих поверхонь, наприклад, поряд з попільничками, а також у місцях зберігання легкозаймистих рідин.
- Перед початком прибирання заберіть з підлоги гострі предмети, щоб не допустити пошкодження пристрою.
- Якщо під час прибирання різко знизилася всмоктувальна потужність пиłosоса, негайно вимкніть його та перевірте телескопічну трубку (4) або шланг (7) на предмет засмічення. Вимкніть пиłosос, потім вимкніть його з електричної мережі, усуньте засмічення, і тільки після цього можна продовжувати прибирання.

### **ЕКСПЛУАТАЦІЯ**

**УВАГА!** Вмикати пиłosос можна тільки зі встановленим контейнером-пилосбірником (11) та встановленим у ньому HEPA-фільтром (20), а також зі встановленим вихідним (18) HEPA-фільтром.

Обов'язково перевіряйте правильність установлення фільтрів (18, 20).

- Перед початком роботи витягніть мережний шнур на необхідну довжину та вставте вилку мережного шнура в електричну розетку.
- Жовта відмітка на мережному шнурі попереджає про максимальну довжину мережного шнура. Забороняється витягувати мережний шнур далі червоної відмітки.
- Для увімкнення пиłosоса натисніть клавішу увімкнення/вимкнення (14).
- Під час роботи ви можете регулювати потужність всмоктування регулятором (15), а також за допомогою ручного регулятора потужності всмоктування (5), розташованого на ручці гнучкого шланга (6). Після закінчення прибирання у приміщенні натисніть на клавішу увімкнення/вимкнення (14) та витягніть вилку мережного шнура з електричної розетки.
- Для змотування мережного шнура натисніть на клавішу (16), притримуйте рукою змотний шнур, щоб уникнути його захльостування та пошкодження.

- У перервах між прибиранням можна встановлювати щітку (1) у місце для «паркування» (17).

**Примітка:** перед заміною щітки (1) або насадок (24, 25), перед чищенням контейнера-пилосбірника (11) вимикайте пиłosос та виймайте вилку мережного шнура з електричної розетки.

## **ЧИЩЕННЯ ТА ДОГЛЯД**

### **Чищення контейнера-пилосбірника (11)**

Для запобігання з'явленню сторонніх запахів від пилу та сміття рекомендується видаляти сміття та пил з контейнера-пилосбірника (11) після кожного прибирання приміщення.

- Вимкніть пиłosос та від'єднайте його від мережі.
- Візьміться за ручку (12), зсуньте клавішу фіксатора контейнера-пилосбірника (13) та вийміть контейнер-пилосбірник (11) з корпусу пиłosоса у напрямку вгору (мал. 4).
- Натисніть на клавішу фіксатора кришки контейнера-пилосбірника (22) та відкрийте кришку контейнера-пилосбірника (23) (мал. 5).
- Розташуйте контейнер-пилосбірник над відром для сміття, переверніть контейнер-пилосбірник (11) та видаліть з нього пил та сміття (мал. 6).
- Закрийте кришку (23), переконайтеся, що кришка (23) зафіксована.
- Установіть контейнер (11) на місце.

### **Чищення HEPA-фільтра (20)**

#### **у контейнері-пилосбірнику (11)**

- Попередньо очистіть контейнер (11) від сміття та пилу, як описано вище.
- Зніміть HEPA-фільтр (20) (мал. 7).
- Очистіть HEPA-фільтр (20) від пилу і сміття, промийте HEPA-фільтр (20) під струменем теплої води.

#### **Примітка:**

- промивайте HEPA-фільтр (20), направляючи струмінь води на зовнішній бік HEPA-фільтра (20).
- Не використовуйте для промивання фільтра (20) посудомийну машину.
- Ретельно просушіть фільтр.
- Забороняється для сушіння HEPA-фільтра (20) використовувати фен.
- Промийте контейнер-пилосбірник (11), витріть його та просушіть.
- Установіть HEPA-фільтр (20) на місце.

#### **Примітка:**

- якщо контейнер-пилосбірник (11) не вдається установити на місце, перевірте правильність установлення фільтра (20).
- Установіть складений контейнер-пилосбірник (11) у корпус пиłosоса.

#### **УВАГА!**

Перед установленням контейнера-пилосбірника (11) у корпус пиłosоса переконайтеся, що HEPA-фільтр (20) сухий і всередині контейнера-пилосбірника (11) відсутня волога.

## Чищення вихідного HEPA-фільтра (18)

- Вимкніть пилосос та від'єднайте його з електричної мережі.
- Зніміть решітку вихідного фільтра (19), натиснувши на фіксатор, натисніть на фіксатор та витягніть HEPA-фільтр (18).
- Промийте HEPA-фільтр (18) під струменем злегка теплої води. Не використовуйте для промивання фільтрів посудомийну машину.
- Просушіть HEPA-фільтр (18). Забороняється використовувати фен для сушіння HEPA-фільтра (18).
- Установіть HEPA-фільтр (18) на місце.
- Установіть на місце решітку вихідного фільтра (19).

### Примітки:

- перед установленням HEPA-фільтра (18) переконайтеся у тому, що він сухий.
- забороняється використовувати фен для сушіння HEPA-фільтра (18).

## Корпус пилососа

- Протирайте корпус пилососа злегка вологою м'якою тканиною, після чого витріть досуха.
- Забороняється занурювати корпус пилососа, мережний шнур та вилку мережного шнура у воду або у будь-які інші рідини. Не допускайте потрапляння рідини всередину корпусу пилососа.
- Забороняється для чищення поверхні пилососа використовувати розчинники та абразивні очищувальні засоби.

## ЗБЕРІГАННЯ

- Перш ніж забрати пилосос на тривале зберігання, зробіть чищення корпусу, пилосбірника (11) та фільтрів (18, 20).
- Для зручності при зберіганні використовуйте місце горизонтального (17) «паркування» щітки та вертикального паркування, розташоване на днищі корпусу пилососа.
- Зберігайте пристрій у сухому прохолодному місці, недоступному для дітей та людей з обмеженими можливостями.

## КОМПЛЕКТАЦІЯ

Пилосос зі встановленим контейнером-пилосбірником та фільтрами – 1 шт.

Гнучкий шланг – 1 шт.

Телескопічна подовжувальна трубка – 1 шт.

Універсальна щітка з перемикачем

«ПІДЛОГА/КИЛИМ» – 1 шт.

Універсальна щілинна насадка – 1 шт.

Насадка для чищення меблевої оббивки – 1 шт.

Тримач насадок – 1 шт.

Інструкція – 1 шт.

## ТЕХНІЧНІ ХАРАКТЕРИСТИКИ

Електроживлення: 220-240 В ~ 50 Гц  
 Максимальна споживана потужність: 1600 Вт  
 Максимальна споживана потужність: 2000 Вт  
 Потужність всмоктування: 350 Вт

## УТИЛІЗАЦІЯ



Для захисту навколишнього середовища після закінчення терміну служби пристрою та елементів живлення (якщо входять до комплекту) не викидайте їх разом зі звичайними побутовими відходами, передайте пристрій та елементи живлення у спеціалізовані пункти для подальшої утилізації.

Відходи, що утворюються при утилізації виробів, підлягають обов'язковому збору з подальшою утилізацією установленим порядком.

Для отримання додаткової інформації про утилізацію даного продукту зверніться до місцевого муніципалітету, служби утилізації побутових відходів або до крамниці, де Ви придбали цей продукт.

*Виробник зберігає за собою право змінювати дизайн, конструкцію та технічні характеристики пристрою, які не впливають на загальні принципи роботи пристрою, для його поліпшення без попереднього повідомлення, через що між інструкцією та виробом можуть спостерігатися деякі відмінності. Якщо користувач виявив таку невідповідність, просимо про це повідомити по електронній пошті [info@vitek.ru](mailto:info@vitek.ru) для отримання оновленої версії інструкції.*

**Термін служби пристрою – 3 роки**

## Гарантія

Докладні умови гарантії можна отримати в дилера, що продає дану апаратуру. При пред'явленні будь-якої претензії протягом терміну дії даної гарантії варто пред'явити чек або квитанцію про покупку.



*Даний продукт відповідає вимогам Директиви 2014/30/ЄС щодо електромагнітної сумісності та Директиви 2014/35/ЄС щодо низьковольтного обладнання.*

# КЫРГЫЗ

## ЧАҢ СОРГУЧ VT-8128

Чаң соргуч имараттарды кургак тазалоо үчүн арналган.

### СЫПАТТАМА

1. "АСТАНА/КИЛЕМ" которгучу менен универсалдык щётка
2. «АСТАНА/КИЛЕМ» режимдердин которгучу
3. Телескоптук түтүктүн бекитмеси
4. Узарткыч телескоптук түтүгү
5. Соруу кубаттуулугунун кол жөндөгүчү
6. Ийлчээк түтүкчөнүн туткасы
7. Ийилчээк түтүкчө
8. Ийилчээк түтүкчөнүн учу
9. Ийилчээк түтүкчөнүн учунун бекитмеси
10. Аба алуучу тешик
11. Чаң топтогуч контейнер
12. Чаң топтогуч контейнер менен чаң соргучту көтөрүп ташуу үчүн туткасы
13. Чаң топтогуч контейнердин бекитмесинин баскычы
14. Иштетүү/өчүрүү баскычы
15. Соруу кубаттуулугунун жөндөгүчү
16. Электр шнурун түрүү баскычы
17. Щетканы «коюу» жайы
18. Чыгуучу HEPA-чыпка
19. Аба чыгуучу чыпканын панжарасы
20. Аба кирүүчү HEPA-чыпка
21. Блокирлөө аспабы
22. Чаң топтогуч контейнердин капкагынын бекитме баскычы
23. Чаң топтогуч контейнердин капкагы
24. Эмерек капталын тазалоо үчүн саптамасы
25. Универсалдуу жылчык саптамасы
26. Саптамалардын кармагычы

### КООПСУЗДУК ЧАРАЛАРЫ

Электр шайманды пайдалануудан мурун колдонмону көңүл коюп окуп-үйрөнүңүз, бүткүл кызмат мөөнөтүнө сактап алыңыз.

Шайманды тике дайындоо боюнча гана, ушул колдонмодо жазылганга ылайыктуу колдонуңуз. Шайманды туура эмес пайдалануу анын бузулуусуна, колдонуучуга же колдонуучунун мүлкүнө зыян келтирүүгө алып келиши мүмкүн.

Өрт коркунучун азайтуу үчүн, электр тогу ургандан, жаракат алуудан коргонуу үчүн төмөнкүдөгү колдонмону колдонуңуз.

- Шайманды электр тармагына туташтыргандан мурун шаймандын үстүндө жазылган чыңалуусу электр үйүнүздөгү чыңалуусуна ылайык болгонун текшерип алыңыз.
- Өрт коркунучун жоюу үчүн аспапты электр розеткасына туташтырганда кошуучу түзүлмөлөрдү колдонбоңуз.
- Чаң соргуч электр розеткасына сайылып турганда аны кароосуз таштабаңыз. Чаң соргучту иштетпей турганда, насадкаларын

алмаштыруунун алдында же шайманды тейлөөнүн алдында сайгычын милдеттүү түрдө электр розеткасынан чыгарыңыз.

- Электр тогу уруу коркунучун азайтуу үчүн чаң соргучту имараттардын тышында иштетпеңиз, чаң соргучту суу же башка суюктуктарды жыйноо үчүн колдонууга тыюу салынат (чаң соргучту нымдуу беттердин үстүндө колдонбоңуз).
- Чаң соргучту көтөрүп ташуу үчүн туткасынан кармап гана ташысаңыз болот.
- Чаң соргучту электр шнурунан кармап ташыбаңыз, электр шнуру эшик тешигинен тартылган болсо, эшикти жаппаңыз, электр шнурун эмеректин учтуу кырларына же бурчтарына, ысык беттерге тийгизбеңиз. Имаратты жыйнап тазалоо убагында чаң соргучту шнурунун үстүнөн тартып жылдырбаңыз, ал бузулуп калуу мүмкүн.
- Кубаттуучу сайгычын электр розеткасынан сургандан шуурду кармап эч качан тартпаңыз, сайгычын кармаңыз.
- Кубаттуучу сайгычын же чаң соргучтун корпусун суу колуңуз менен тийбеңиз.
- Электр шнурун түрүү мезгилинде шнурун колуңуз менен бир аз кармап туруңуз, сайгычы жерге урулганына жол бербейсиз.
- Шаймандын аба чыгуучу тешигин ар кайсы буюмдар менен жабууга тыюу салынат.
- Шаймандын ар кыл тешиги тосулуп турган болсо шайманды иштетүүгө тыюу салынат.
- Чачыңыз, кийимдердин асылып турган жайлары, бармактар же башка буюмдар чаң соргучтун аба соруучу тешиктин жанында болбогонун байкап туруңуз.
- Тепкич айтчасын жыйнаганда өзгөчө көңүл буруңуздар.
- Чаң соргучту эриткич жана бензин катары бат жалындал кетүүчү суюктуктарды жыйноого, ал суюктуктар сактоо жайында иштетүүгө тыюу салынат.
- Сууну же башка суюктуктарды, күйүп же түтөп турган тамекилерди, күкүртөрдү, араң кызарып жаткан күлдү жана штукатурка, бетон, ун же күл аркылуу заттардын майда дисперстик чаңын жыйноого тыюу салынат.
- Эгерде:
  - чаң топтогуч орнотулбаган же туура эмес орнотулган болсо;
  - аба кирүүчү же чыгуучу чыпкалары орнотулбаган болсо чаң соргучту колдонбоңуз.
- Чаң соргучтун корпусун сууга же ар кыл башка суюктуктарга салбаңыз.
- Жыйынтыгына кирүүчү аксессуарларын жана насадкаларын гана колдонуңуз.
- Чаң соргучту мезгилдүү түрдө тазалап туруңуз.
- Чаң соргучту кургак, салкын жеринде сактаңыз.

- Үй жаныбарларды тазалоо үчүн чаң соргучту колдонбоңуз.
- Иштеп турган шаймандын жанында балдар же жөндөмдүүлүгү төмөн болгон адамдар бар болгондо өзгөчө көңүл буруп туруңуз.
- Бул шайман балдар колдонуу үчүн арналган эмес. Шайман иштеп турганда жана тыныгуу убактарында шайманды балдар жетпеген жерине коюңуз.
- Бул шайман дене күчү, сезими же акыл-эси жагынан жөндөмдүүлүгү төмөн (ошонун ичинде балдар да) адамдар же колдонуу боюнча тажрыйбасы же билими жок болгон адамдар, эгерде алардын коопсуздугуна жооптуу адам аларды көзөмөлдөп же инструкциялаган болбосо, колдонуу үчүн ылайыкташтырылбаган.
- Шайманды оюнчук катары колдонбоо үчүн балдарга көз салыңыз.
- Балдардын коопсуздугу үчүн таңгак катары колдонулган полиэтилен баштыктарды кароосуз таштабаңыз.

**Көңүл буруңуздар!** Полиэтилен баштыктар же таңгак пленкасы менен ойногонго балдарга уруксат бербейсиз. Тумчуктуруунун коркунучу бар!

- Шайманды заводдук таңгакта гана транспорттоо зарыл.
- Электр шнурун жана кубаттуучу розеткасынын абалын бузулуулар болбоо үчүн мезгилдүү түрдө текшерип туруңуз.
- Электр шнурунун, кубаттуучу сайгычынын бузулуулары бар болсо, шайман иштеп-иштебей турса же кулап түшкөндөн кийин анын иштетүүсүнө тыюу салынат.
- Шайманды өз алдынча оңдогонго тыюу салынат. Шайманды өз алдынча ажыратпай, ар кыл бузулуулар пайда болгон же шайман кулап түшкөн учурларда аны розеткадан суруп, кепилдик талонундагы же [www.vitek.ru](http://www.vitek.ru) сайтындагы тизмесине кирген автордоштурулган (ыйгарым укуктуу) тейлөө борборуна кайрылыңыз.
- Шайманды балдар жана жөндөмдүүлүгү төмөн болгон адамдар жетпеген жеринде сактаңыз

*АСПАП ТУРАК ЖАЙЛАРДА ТУРМУШ-ТИРИЧИЛИК КОЛДОНУУГА ГАНА АРНАЛГАН, КОММЕРЦИЯЛЫК КОЛДОНУУГА, ӨНӨР ЖАЙ ЗОНАЛАРЫНДА ЖЕ ЖУМУШ ИМАРАТТАРДА КОЛДОНУУГА ТЫЮУ САЛЫНАТ.*

## БИРИНЧИ КОЛДОНУУНУН АЛДЫНДА

**Төмөндөгөн температурада түзмөктү транспорттоодон же сактоодон кийин аны үч сааттан кем эмес мөөнөткө үй температурасында сактоо зарыл.**

- Шайманды таңгактан чыгарып, болгон таңгак материалдары менен чаң соргучтун нормалдуу иштөөсүнө тоскоолдук кылган ар кыл чаптамаларды алып салыңыз.
- Шаймандын бүтүн болгондугун текшерип, бузулуулар бар болсо шайманды колдонбоңуз.
- Шайманды иштетүүнүн алдында иштөө чыңалуусу электр тармагындагы чыңалуусуна ылайык болгонун текшерипиз.

## ЧАҢ СОРГУЧТУ КУРАШТЫРУУ

Ийилчээк түтүкчөнү орнотуу жана чечүү

- Ийилчээк түтүкчөнүн сайгычын (8) аба алуу тешигине (10) сайыңыз (сүрөт 1).
- Ийилчээк түтүкчөнү бир аз күч салып, бекитилгенине чейин сайыңыз.
- Ийилчээк түтүкчөнү чечүү зарылдыгы болсо, бекитмесин (9) басып, ийилчээк түтүкчөнү чечиниз.

## Телескоптук түтүгүн жана саптамаларын

### орнотуу

- Узарткыч телескоптук түтүгүн (4) ийилчээк түтүкчөнүн туткасына (6) туташтырыңыз (сүрөт 2).
- Бекитмесин (3) алдын ала басып, телескоптук түтүктүн ылдый жагын керектүү узундугуна чыгарыңыз.
- Керектүү саптамасын – жер таман/килем үчүн щеткасын (1), жылчык саптаманын (25) же саптаманы (24) – таңдап, узарткыч телескоптук түтүгүнө (4) туташтырыңыз.
- Керек болгондо саптамаларын (24, 25) ийилчээк түтүкчөнүн туткасына (6) тике туташтырса болот.
- Иштетүү убагында туткасынан (6) кармаңыз.

## ЩЕТКА-САПТАМАЛАРЫН ПАЙДАЛАНУУ

### «ЖЕРТАМАН/КИЛЕМ» которгучу бар универсальдык щетка (1)

Щеткадагы (1) которгучун (2) керектүү абалына коюңуз (жыйналып турган бетине карата).

### Универсалдык жылчык саптама (25)

Саптама чаң кетирүү үчүн щетка же жылчык саптама катары колдонулат, ал үчүн саптаманы керектүү абалына коюңуз.

### Эмерек капталын тазалоо саптамасы (24)

Саптаманы (24) жумшак эмеректин кездеме катмарларын тазалоо үчүн колдонуңуз.

### Саптамалардын кармагычы (26)

Кармагычты (26) ийилчээк түтүкчөнүн (7) ыңгайлуу жеринде орнотуп, кармагычка (26) саптамаларды (24 жана 25) орнотуңуз.

# КЫРГЫЗ

## Чаң топтогуч контейнери (11)

Чаң топтогуч контейнери (11) циклондуу чыпкасы менен жабылган, ал кирген абадан чаң жана шыпырындыны токтотуп, НЕРА-чыпкасы (20) болсо чандын майда бөлүктөрүн токтотот.

### Эскертүү:

- НЕРА-чыпкасын (20) ар дайым тазалыкта сактаңыз, себеби чаң соргучтун ишинин эффективдүүлүгү ага байланыштуу болот;
- чаң топтогуч контейнердин (11) отсегинде НЕРА-чыпкасы (21) орнотулбаган контейнерди (11) орнотуусуна жол бербеген тосмолото аспабы бар, чаң топтогуч контейнерди (11) ордуна коюнун алдында ар дайым НЕРА-чыпкасы (20) туура орнотулганын текшерип туруңуз.

## ЧАҢ СОРГУЧТУ ПАЙДАЛАНУУ

### Коопсуздук чаралары

- Өтө ысыган беттердин, мисалы, күл салгычтардын тикеден-тик жакынчылыгында жана тез жалындап кетүүчү суюктуктар сакталган жеринде чаң соргучту иштетпеңиз.
- Шайманды колдонуудан мурун анын бузулуусуна жол бербөө үчүн жерден учтуу заттарды алып салыңыз.
- Шайманды иштетип турган мезгилде соруунун кубаттуулугу кескин азайып калса, аны токтоосуз өчүрүп, телескоптук түтүгү (4) же ийилчээк түтүкчөсү (7) тыгылып калганын текшерип алыңыз. Чаң соргучту өчүрүп, электр тармагынан ажыратып, тыгылган жерин бошотуп, андан кийин гана иштетүүнү улантсаңыз болот.

### КОЛДОНУУ

**КӨҢҮЛ БУРУҢУЗ!** Чаң соргучту чаң топтогучу (11) анын ичинде НЕРА-чыпкасы (20) бар болуп орнотулганда жана аба чыгуучу (18) НЕРА-чыпкасы орнотулганда гана иштетсе болот.

Чыпкалар (18, 20) туура орнотулганын ар дайым текшерип туруңуз.

- Иштетүүнүн алдында электр шнурун керектүү узундугуна тартып чыгарып, кубаттуучу сайгычын электр розеткасына сайыңыз.
- Электр шнурундагы сары белгиси шнурдун максималдуу узундугун белгилейт. Шнурду кызыл белгисинен ары тартууга тыюу салынат.
- Чаң соргучту иштетүү үчүн өчүрүү/күйгүзүү баскычын (14) басыңыз.
- Шайманды иштетип турганда соруу кубаттуулугун жөндөгүчү (15), жана ийилчээк түтүкчөнүн туткасында (6) жайгашкан соруу кубаттуулугунун кол жөндөгүчү (5) аркылуу жөнгө салсаңыз болот. Имаратты тазалап бүткөндөн кийин өчүрүү/күйгүзүү баскычын (14) басып, кубаттуучу сайгычын электр розеткасынан чыгарыңыз.

- Электр шнурун түрүп жыйноо үчүн баскычты (16) басып, түрүлүп турган шнуру чалынып бузулбоо үчүн аны колунуз менен тосуп туруңуз.
- Жыйноонун тыныгууларында щетканы (1) «коюу» (17) жайына орнотуп турсаңыз болот.

**Эскертүү:** щетканы (1) же саптамаларды (24, 25) алмаштыруунун алдында, чаң топтогуч контейнерди (11) тазалоонун алдында чаң соргучту өчүрүп, кубаттуучу сайгычын электр розеткасынан чыгарып туруңуз.

### ТАЗАЛОО ЖАНА КАМ КӨРҮҮ

#### Чаң топтогуч контейнерин (11) тазалоо

Чаң менен таштандылардан башкача жыт чыгууга жол бербөө үчүн чаң менен таштандыларды чаң топтогуч контейнерден (11) ар колдонуудан кийин төгүү некоммендацияланат.

- Чаң соргучту өчүрүп, электр тармагынан ажыратыңыз.
- Туткасынан (12) кармап, чаң топтогуч контейнердин капкак бекитмесин (13) басыңыз да чаң топтогуч контейнерин (11) чаң соргучтун корпусунан өйдө тартып чыгарыңыз (сүрөт. 4).
- Чаң топтогуч контейнердин капкагынын бекитме баскычын (22) басып, чаң топтогуч контейнердин капкагы (23) ачыңыз (сүр. 5).
- Чаң топтогуч контейнерди таштанды чаканын үстүндө орнотуп, чаң топтогуч контейнерди (11) көмкөрүп, анын ичинен чаң менен таштандыларды төгүңүз (сүр. 6).
- Капкакты (23) жабып, капкак (23) бекитилгенин текшерип алыңыз.
- Контейнерди (11) ордуна коюңуз.

#### Чаң топтогуч контейнериндеги (11) НЕРА-чыпкасын (20) тазалоо

- Жогоруда айтылгандай контейнерди (11) чаң менен шыпырындыдан бошотуп алыңыз.
- НЕРА-чыпкасын (20) чечиңиз (сүрөт 7).
- НЕРА-чыпканы (20) чаң менен шыпырындыдан тазалап, агып турган жылуу суунун астында жууп алыңыз.

### Эскертүү:

- НЕРА-чыпкасын (20) жууганда, сууну НЕРА-чыпканын тышкы жагына агызыңыз.
- НЕРА-чыпканы (20) идиш жуучу аспапта жуубаңыз.
- Чыпканы жакшылап кургатып алыңыз.
- НЕРА-чыпканы (20) кургатуу үчүн фенди колдонууга тыюу салынат.
- Чаң топтогуч контейнерин (11) жууп, сүртүп, кургатып алыңыз.
- НЕРА-чыпкасын (20) ордуна коюңуз.

### Эскертүү:

- чаң топтогуч контейнери (11) ордуна орнотулбай турса, НЕРА-чыпкасынын (20) туура орнотулганын текшерип.

- Кураштырылган чаң топтогуч контейнерди (11) чаң соргучтун корпусуна орнотуңуз.

## **КӨҢҮЛ БУРУҢУЗ!**

Чаң топтогуч контейнерди (11) чаң соргучтун корпусуна орноткондун алдында НЕРА-чыпкасы (20) кургак болуп, чаң топтогуч контейнердин (11) ичинде нымдуулук жок болгонун текшерип алыңыз.

## **Аба чыгуучу НЕРА-чыпкасын (18) тазалоо**

- Чаң соргучун өчүрүп, электр тармагынан ажыратыңыз.
- Бекитмени басып, аба чыгуучу чыпканын панжарасын (19) чечиңиз, бекитмени басып (18), НЕРА-чыпканы чыгарыңыз.
- НЕРА-чыпкасын (18) бир аз жылуу суунун астында жууп алыңыз. Чыпкаларды жууш үчүн идиш жуучу аспапты колдонбоңуз.
- НЕРА-чыпканы тазалоо (18) үчүн чыпканы кургатуу азырл НЕРА-чыпканы (18) фен менен кургатууга тыюу салынат.
- НЕРА-чыпкасын (18) ордуна коюңуз.
- Аба чыгуучу чыпканын панжарасын (19) ордуна орнотуңуз.

## **Эскертүү:**

- НЕРА-чыпкасын (18) орнотуунун алдында ал кургак болгонун текшерип алыңыз.
- НЕРА-чыпканы (18) фен менен кургатууга тыюу салынат.

## **Чаң соргучтун корпусу**

- Чаң соргучтун корпусун бир аз нымдуу жумшак чүпүрөк менен сүртүп, кургатып сүртүп туруңуз.
- Чаң соргучтун корпусун, электр шнурун жана шнурунун сайгычын сууга же башка суюктуктарга салууга тыюу салынат. Чаң соргучтун ичине суу коюлуусуна жол бербейсиз.
- Чаң соргучтун корпусун тазалоо үчүн эриткичтерди жана абразивдүү тазалоо каражаттарды колдонууга тыюу салынат.

## **САКТОО**

- Чаң соргучту узак убакытка сактоого алып салуудан мурда анын корпусун, чаң топтогуч контейнери (11) менен чыпкаларын (18, 20) тазалап алыңыз.
- Сактоонун ыңгайлуулугу үчүн чаң соргучтун түбүндөгү щетканы горизонталдуу (17) же тике «коюу» жайын колдонуңуз.
- Түзүмүктү балдар жана жөндөмдүүлүгү чектелген адамдар колу жетпеген жерлерде сактаңыз.

## **ЖАБДЫКТЫН ЖЫЙЫНТЫГЫ**

Чаң топтогуч контейнери менен чыпкалары орнотулган чаң соргуч – 1 даана.  
Ийилчээк түтүкчөсү – 1 даана.

Узарткыч телескоптук түтүгү – 1 даана.  
«ЖЕРТАМАН/КИЛЕМ» которгучу бар универсалдык щетка – 1 даана.  
Универсалдык жылчык саптама – 1 даана.  
Эмерек капталын тазалоо саптамасы – 1 даана.  
Саптамалардын кармагычы – 1 даана.  
Колдонмо – 1 даана.

## **ТЕХНИКАЛЫК МҮНӨЗДӨМӨСҮ**

Азыктандыруу чыңалуусу: 220-240 В ~ 50 Гц  
Номиналдуу иштетүү кубаттуулугу: 1600 Вт  
Максималдуу керектелүүчү кубаттуулук: 2000 Вт  
Соруу кубаттуулугу: 350 Вт

## **УТИЛИЗАЦИЯЛОО**



Айлана чөйрөөнү коргоо максатында шайман менен азыктандыруучу элементтердин (эгерде топтомго кирсе) кызмат мөөнөтү бүткөндөн кийин турмуш-тиричилик калдыктары менен бирге таштабаңыз, шайман менен азыктандыруучу элементти андан ары утилизациялоо үчүн адистештирилген пункттарга бериңиз. Шаймандарды утилизациялоодон пайда болгон калдыктарды милдеттүү түрдө чогултуп, андан соң белгиленген жолунда утилизациялоо зарыл. Бул шайманды утилизациялоо жөнүндө кошумча маалымат алуу үчүн жергиликтүү өкмөткө, турмуш-тиричилик калдыктарды утилизациялоо кызматына же бул шайманды алган дүкөнгө кайрылыңыз.

*Өңдүрүүчү шаймандардын жалпы иштөө принциптерине таасир этпеген шаймандын дизайнин, конструкциясын жана техникалык мүнөздөмөлөрүн алдын ала эскертпей өзгөртүү укугун сактайт, ошол себептен шайман менен колдонмонун кээ бир айырмалар болуу мүмкүн. Колдонуучу ушундай келишпегендикти тапса, ал жөнүндө info@vitek.ru электрондук почтасына жазып, шаймандын жаңырланган версиясын алса болот.*

## **Шаймандын кызмат мөөнөтү – 3 жыл**

## **Кепилдик**

Кепилдик берүү шарттары тууралуу толук маалыматтар буюмду саткан сатуучудан алууга болот. Кепилдик шарттарына ылайык талап кылып сатылган товарга чек же дүмүрчөктү көрсөтүү керек.



**GB**

A production date of the item is indicated in the serial number on the technical data plate. A serial number is an eleven-unit number, with the first four figures indicating the production date. For example, serial number 0606xxxxxxx means that the item was manufactured in June (the sixth month) 2006.

**RUS**

Дата производства изделия указана в серийном номере на табличке с техническими данными. Серийный номер представляет собой одиннадцатизначное число, первые четыре цифры которого обозначают дату производства. Например, серийный номер 0606xxxxxxx означает, что изделие было произведено в июне (шестой месяц) 2006 года.

**KZ**

Бұйымның шығарылған мерзімі техникалық деректері бар кестедегі сериялық нөмірде көрсетілген. Сериялық нөмір он бір саннан тұрады, оның бірінші төрт саны шығару мерзімін білдіреді. Мысалы, сериялық нөмір 0606xxxxxxx болса, бұл бұйым 2006 жылдың маусым айында (алтыншы ай) жасалғанын білдіреді.

**UA**

Дата виробництва виробу вказана в серійному номері на табличці з технічними даними. Серійний номер представляє собою одинадцятизначне число, перші чотири цифри якого означають дату виробництва. Наприклад, серійний номер 0606xxxxxxx означає, що виріб був виготовлений в червні (шостий місяць) 2006 року.

**KG**

Буюм иштеп чыгарылган датасы сериялык номурунда техникалык маалыматтар жадыбалында көрсөтүлгөн. Сериялык номуру он бир орундуу сан болот, анын биринчи төрт саны өндүрүш датасын көрсөтөт. Мисалы, сериялык номуру 0606xxxxxxx болгон буюм 2006 жылдын июнинде (алтынчы айында) өндүрүлгөн.



ЗАПРЕЩЕНО УТИЛИЗИРОВАТЬ  
С БЫТОВЫМ МУСОРОМ.  
ОБРАТИТЕСЬ НА СООТВЕТСТВУЮЩИЙ  
ПУНКТ ПЕРЕРАБОТКИ ЭЛЕКТРИЧЕСКОГО  
И ЭЛЕКТРОННОГО ОБОРУДОВАНИЯ.