

en Instruction for Use

ru Инструкция по
эксплуатации

uk Інструкція з
експлуатації



KG..E..

Fridge-freezer

Холодильно-морозильная комбинация

Холодильно-морозильна комбінація

SIEMENS

en Table of Contents

Safety and warning information	4	Freezing fresh food	12
Information concerning disposal	6	Super freezing	13
Scope of delivery	6	Thawing frozen food	14
Ambient temperature and ventilation ..	7	Interior fittings	14
Connecting the appliance	7	Switching off and disconnecting the appliance	15
Getting to know your appliance	8	Defrosting	15
Switching the appliance on	9	Cleaning the appliance	16
Setting the temperature	9	Odours	16
Holiday mode	9	Light (LED)	16
Alarm function	10	Tips for saving energy	17
Usable capacity	10	Operating noises	17
Refrigerator compartment	10	Eliminating minor faults yourself	18
Super cooling	11	Appliance self-test	19
Freezer compartment	11	Customer service	20
Max. freezing capacity	12		
Freezing and storing food	12		

ru Содержание

Указания по безопасности и предупреждения	21	Замораживание и хранение продуктов	31
Указания по утилизации	23	Замораживание свежих продуктов питания	32
Объем поставки	24	Суперзамораживание	33
Температура окружающей среды и вентиляция	24	Размораживание продуктов	33
Подключение бытового прибора ...	25	Специальное оснащение	34
Знакомство с бытовым прибором	26	Выключение прибора и вывод его из эксплуатации	35
Включение бытового прибора	27	Размораживание	35
Установка температуры	27	Чистка бытового прибора	36
Отпускной режим эксплуатации ...	28	Неприятные запахи	37
Предупредительная функция	28	Освещение (на светодиодах)	37
Полезный объем	29	Как сэкономить электроэнергию ..	37
Холодильное отделение	29	Рабочие шумы	38
Суперохлаждение	30	Самостоятельное устранение мелких неисправностей	39
Морозильное отделение	30	Самопроверка прибора	41
Макс. производительность замораживания	31	Служба сервиса	41

uk Зміст

Рекомендації з дотримання безпеки та застереження	42	Заморожування та зберігання продуктів	52
Рекомендації з утилізації	44	Замороження свіжих продуктів	52
Комплект поставки	45	Суперзаморожування	54
Звертайте увагу на температуру в приміщенні та вентиляцію	45	Розмороження заморожених продуктів	54
Підключення приладу	46	Устаткування	54
Ознайомлення з приладом	46	Вимкнення та зупинка роботи приладу	55
Ввімкнення приладу	48	Розморожування	56
Установка температури	48	Чистка приладу	56
Режим відпустки	48	Запахи	57
Попереджувальна функція	49	Світлодіодне освітлення	57
Корисний об'єм	50	Заощадження енергії	58
Холодильна камера	50	Шуми при експлуатації	58
Суперохолодження	51	Як усунути незначні неполадки самому	59
Морозильна камера	51	Самоперевірка приладу	61
Максимальна потужність заморожування	51	Служба сервісу	61

Safety and warning information

Before you switch ON the appliance

Please read the operating and installation instructions carefully! They contain important information on how to install, use and maintain the appliance.

The manufacturer is not liable if you fail to comply with the instructions and warnings. Retain all documents for subsequent use or for the next owner.

Technical safety

This appliance contains a small quantity of environmentally-friendly but flammable R600a refrigerant. Ensure that the tubing of the refrigerant circuit is not damaged during transportation and installation. Leaking refrigerant may cause eye injuries or ignite.

If damage has occurred

- Keep naked flames and/or ignition sources away from the appliance,
- thoroughly ventilate the room for several minutes,
- switch off the appliance and pull out the mains plug,
- inform customer service.

The more refrigerant an appliance contains, the larger the room must be in which the appliance is situated. Leaking refrigerant can form a flammable gas-air mixture in rooms which are too small. The room must be at least 1 m³ per 8 g of refrigerant. The amount of refrigerant in your appliance is indicated on the rating plate inside the appliance.

If the power cord of this appliance is damaged, it must be replaced by the manufacturer, customer service or a similarly qualified person. Improper installations and repairs may put the user at considerable risk.

Repairs may be performed by the manufacturer, customer service or a similarly qualified person only.

Only original parts supplied by the manufacturer may be used. The manufacturer guarantees that only these parts satisfy the safety requirements.

An extension cable may be purchased from customer service only.

Important information when using the appliance

- Never use electrical appliances inside the appliance (e.g. heater, electric ice maker, etc.). Risk of explosion!
- Never use a steam cleaner to defrost or clean the appliance! The steam may penetrate electrical parts and cause a short-circuit. Risk of electric shock!
- Do not use pointed or sharp-edged implements to remove frost or layers of ice. You could damage the refrigerant tubing. Leaking refrigerant may ignite or cause eye injuries.
- Do not store products which contain flammable propellants (e.g. spray cans) or explosive substances in the appliance. Risk of explosion!

- Do not stand or support yourself on the base, drawers or doors, etc.
- Before defrosting and cleaning the appliance, pull out the mains plug or switch off the fuse. Do not pull out the mains plug by tugging the cable.
- Bottles which contain a high percentage of alcohol must be sealed and stored in an upright position.
- Keep plastic parts and the door seal free of oil and grease. Otherwise, parts and door seal will become porous.
- Never cover or block the ventilation openings for the appliance.
- People (children incl.) who have limited physical, sensory or mental abilities or inadequate knowledge must not use this appliance unless they are supervised or given meticulous instructions.
- Do not store bottled or canned drinks (especially carbonated drinks) in the freezer compartment. Bottles and cans may explode!
- Never put frozen food straight from the freezer compartment into your mouth. Risk of low-temperature burns!
- Avoid prolonged touching of frozen food, ice or the evaporator pipes, etc. Risk of low-temperature burns!

Children in the household

- Keep children away from packaging and its parts.
Danger of suffocation from folding cartons and plastic film!
- Do not allow children to play with the appliance!
- If the appliance features a lock: keep the key out of the reach of children!

General regulations

The appliance is suitable

- for refrigerating and freezing food,
- for making ice.

This appliance is intended for use in the home and the home environment.

The appliance is suppressed according to EU Directive ГOCT P 51318.14.1-99, ГOCT P 51318.14.2-99, ГOCT P 51317.3.2-99, ГOCT P 51317.3.3-99.

The refrigeration circuit has been checked for leaks.

This product complies with the relevant safety regulations for electrical appliances ГOCT P MЭK 60335-2-24.

Information concerning disposal

Disposal of packaging

The packaging protects your appliance from damage during transit. All utilised materials are environmentally safe and recyclable. Please help us by disposing of the packaging in an environmentally friendly manner.

Please ask your dealer or inquire at your local authority about current means of disposal.

Disposal of your old appliance

Old appliances are not worthless rubbish! Valuable raw materials can be reclaimed by recycling old appliances.



Warning

Redundant appliances

1. Pull out the mains plug.
2. Cut off the power cord and discard with the mains plug.
3. Do not take out the trays and receptacles: children are therefore prevented from climbing in!
4. Do not allow children to play with the appliance once it has spent its useful life. Danger of suffocation!

Refrigerators contain refrigerant and gases in the insulation. Refrigerant and gases must be disposed of professionally. Ensure that tubing of the refrigerant circuit is not damaged prior to proper disposal.

Scope of delivery

After unpacking all parts, check for any damage in transit.

If you have any complaints, please contact the dealer from whom you purchased the appliance or our customer service.

The delivery consists of the following parts:

- Free-standing appliance
- Bag containing installation materials
- Interior fittings (depending on model)
- Operating instructions
- Installation manual
- Customer service booklet
- Warranty enclosure
- Information on the energy consumption and noises

Ambient temperature and ventilation

Ambient temperature

The appliance is designed for a specific climate class. Depending on the climate class, the appliance can be operated at the following temperatures.

The climate class can be found on the rating plate. Fig. 14

Climate class	Permitted ambient temperature
SN	+10 °C to 32 °C
N	+16 °C to 32 °C
ST	+16 °C to 38 °C
T	+16 °C to 43 °C

Note

The appliance is fully functional within the room temperature limits of the indicated climatic class. If an appliance of climatic class SN is operated at colder room temperatures, the appliance will not be damaged up to a temperature of +5 °C.

Ventilation

Fig. 3

The air on the rear panel of the appliance heats up. Conduction of the heated air must not be obstructed. Otherwise, the refrigerating unit must work harder. This increases power consumption. Therefore: Never cover or block the ventilation openings!

Connecting the appliance

After installing the appliance, wait at least 1 hour until the appliance is switched on. During transportation the oil in the compressor may have flowed into the refrigeration system.

Before switching on the appliance for the first time, clean the interior of the appliance (see chapter “Cleaning the appliance”).

Electrical connection

The socket must be near the appliance and also freely accessible following installation of the appliance.

The appliance complies with the protection class I. Connect the appliance to 220–240 V/50 Hz alternating current via a correctly installed socket with protective conductor. The socket must be fused with a 10 to 16 A fuse.

For appliances operated in non-European countries, check whether the stated voltage and current type match the values of your mains supply match the values of the mains supply. This information can be found on the rating plate. Fig. 14

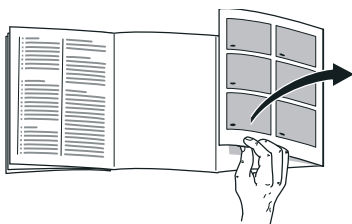


Warning

Never connect the appliance to electronic energy saver plugs.

Our appliances can be used with mains and sine-controlled inverters. Mains-controlled inverters are used for photovoltaic systems which are connected directly to the national grid. Sine-controlled inverters must be used for isolated applications (e.g. on ships or in mountain lodges) which are not connected directly to the national grid.

Getting to know your appliance



Please fold out the illustrated last page. These operating instructions refer to several models.

The features of the models may vary.

The diagrams may differ.

Fig. 1

* Not all models.

- 1-9 Controls
- 10 Light
- 11 Shelf in the refrigerator compartment
- 12 Egg container
- 13 Variable shelf
- 14 Pull-out container
- 15 Vegetable container
- 16 Freezer calendar
- 17 Frozen food container
- 18 Height-adjustable feet
- 19 Ventilation opening
- 20 Butter and cheese compartment
- 21 Egg rack
- 22 Bottle holder
- 23 Shelf for large bottles

- A Refrigerator compartment
- B Freezer compartment

Controls

Fig. 2

- 1 **On/Off button**
Serves to switch the whole appliance on and off.
- 2 **“Super” button (freezer compartment)**
Switches super freezing on and off.
- 3 **Temperature selection buttons Freezer compartment**
These buttons set the temperature in the freezer compartment.
- 4 **Temperature display freezer compartment**
The numbers correspond to the set freezer compartment temperatures in °C.
- 5 **Alarm button**
Used to switch off the warning signal, see chapter “Alarm function”.
- 6 **Holiday button**
Is used to switch vacation mode on and off, (see chapter Vacation mode).
- 7 **Temperature selection buttons Refrigerator compartment**
These buttons set the temperature in the refrigerator compartment.
- 8 **Temperature display refrigerator compartment**
The numbers correspond to the set refrigerator compartment temperatures in °C.
- 9 **“Super” button refrigerator compartment**
Switches super cooling on and off.

Switching the appliance on

Fig. 2

1. Switch on the appliance with the On/Off button 1.
A warning signal sounds, the temperature display 4 flashes and the alarm button 5 is lit.
2. The warning signal is switched off by pressing the alarm button 5.
The appliance begins to cool. Light is switched on when the door is open.

The factory has recommended the following temperatures:

- Refrigerator compartment: +4 °C
- Freezer compartment: -18 °C

Operating tips

- When the appliance has been switched on, it may take several hours until the set temperatures have been reached.
Do not put any food in the appliance beforehand.
- The sides of the housing are sometimes heated slightly. This prevents condensation in the area of the door seal.
- If the freezer compartment door cannot be immediately re-opened after it has been closed, wait until the resulting low pressure has equalised.

Setting the temperature

Fig. 2

Refrigerator compartment

The temperature can be set from +3 °C to +8 °C.

Keep pressing temperature setting button 7 until the required refrigerator compartment temperature is set.

The value last selected is saved. The set temperature is indicated on temperature display 8.

Holiday mode

If leaving the appliance for a long period of time, you can switch the appliance over to the energy-saving holiday mode.

The temperature of the refrigerator compartment is automatically switched to +14 °C.

Do not store any food in the refrigerator compartment during this time.

Switching on and off

Fig. 2

Press the holiday button 6.

If vacation mode is switched on, the button is lit and the refrigerator compartment temperature 8, no longer indicates a temperature.

Alarm function

In the following cases an alarm may be actuated:

Door alarm

The door alarm (continuous sound) switches on if the appliance door is open for longer than one minute. Close the door to switch off the warning signal.

Temperature alarm

The temperature alarm switches on if the freezer compartment is too warm and the frozen food is at risk of thawing.

When the alarm button 5 is pressed, the temperature display 4 indicates for five seconds the warmest temperature reached in the freezer compartment.

Then this value is deleted. The temperature display freezer compartment 4 indicates the set freezer compartment temperature without flashing.

Henceforth the “warmest temperature” will be redefined and saved.

The alarm may switch on without any risk to the frozen food:

- when the appliance is switched on,
- when large quantities of fresh food are placed in the appliance,
- if the freezer compartment door is open too long.

Note

Do not refreeze thawing or thawed food. It can only be refrozen when it has been used to prepare a ready meal (boiled or fried).

No longer store the frozen produce for the max. storage period.

Switching off the alarm

Fig. 2

Press the alarm button 5 to switch off the alarm.

Usable capacity

Information on the usable capacity can be found inside your appliance on the rating plate. Fig. 14

Fully utilising the freezing capacity

The maximum amount of food can be placed in the freezer by removing all fittings. The food can be stacked directly on the shelves and in the bottom of the freezer compartment.

Removing the fittings

Pull out the frozen food container all the way, lift at the front and remove. Fig. 4

Refrigerator compartment

The refrigerator compartment is the ideal storage location for ready meals, cakes and pastries, preserved food, condensed milk, hard cheese, fruit and vegetables sensitive to cold as well as tropical fruit.

Note when loading products:

Wrap or cover food before placing in the appliance. This will retain the aroma, colour and freshness of the food. In addition, flavours will not be transferred between foods and the plastic parts will not become discoloured.

Note

Avoid contact between food and rear panel. Otherwise the air circulation will be impaired.

Food or packaging could freeze to the rear panel.

Note the chill zones in the refrigerator compartment!

The air circulation in the refrigerator compartment creates different chill zones:

- Coldest zone is between the vegetable container and the glass shelf situated above. Fig. 5

Note

Store perishable food (e.g. fish, sausage, meat) in the cold zone above the vegetable container.

- Warmest zone is at the very top of the door.

Note

Store e.g. cheese and butter in the warmest zone. When served, the cheese will not have lost its flavour and the butter will be easy to spread.

Super cooling

Super cooling sets the refrigerator temperature to the coldest temperature setting for approx. 15 hours. Then the appliance automatically switches to the temperature set prior to super cooling mode.

Switch on super cooling mode, e.g.:

- before placing large quantities of food in the refrigerator compartment.
- to cool drinks quickly.

Note

When super cooling is switched on, increased operating noises may occur.

Switching on and off

Fig. 2

Press super button 9 refrigerator compartment.

The button is lit when super cooling is switched on.

Freezer compartment**Use the freezer compartment**

- To store deep-frozen food.
- To make ice cubes.
- To freeze food.

Note

Ensure that the freezer compartment door has been closed properly. If the door is open, the frozen food will thaw. The freezer compartment will become covered in thick ice. Also: waste of energy due to high power consumption!

Max. freezing capacity

Information about the max. freezing capacity within 24 hours can be found on the rating plate. Fig. 14

Freezing and storing food

Purchasing frozen food

- Packaging must not be damaged.
- Use by the “use by” date.
- Temperature in the supermarket freezer must be -18 °C or lower.
- If possible, transport deep-frozen food in an insulated bag and place quickly in the freezer compartment.

Freezing food

Freeze fresh, undamaged food only.

Keep food which is to be frozen away from food which is already frozen.

To prevent food from losing its flavour or drying out, place in airtight containers.

Storing frozen food

To ensure good air circulation in the appliance, insert the frozen food container all the way.

If you have to store lots of food, it is possible to transfer the food to the glass shelves and stack it on the base of the freezer base. To do this, remove all the frozen food containers. Pull out the frozen food containers all the way, lift at the front and remove. Fig. 4

Freezing fresh food

Freeze fresh and undamaged food only.

To retain the best possible nutritional value, flavour and colour, vegetables should be blanched before freezing. Aubergines, peppers, zucchini and asparagus do not require blanching.

Literature on freezing and blanching can be found in bookshops.

Note

Keep food which is to be frozen away from food which is already frozen.

- The following foods are suitable for freezing:
 - Cakes and pastries, fish and seafood, meat, game, poultry, vegetables, fruit, herbs, eggs without shells, dairy products such as cheese, butter and quark, ready meals and leftovers such as soups, stews, cooked meat and fish, potato dishes, soufflés and desserts.
- The following foods are not suitable for freezing:
 - Types of vegetables, which are usually consumed raw, such as lettuce or radishes, eggs in shells, grapes, whole apples, pears and peaches, hard-boiled eggs, yoghurt, soured milk, sour cream, crème fraîche and mayonnaise.

Packing frozen food

To prevent food from losing its flavour or drying out, place in airtight containers.

1. Place food in packaging.
2. Remove air.
3. Seal the wrapping.
4. Label packaging with contents and date of freezing.

Suitable packaging:

Plastic film, tubular film made of polyethylene, aluminium foil, freezer containers.

These products are available from specialist outlets.

Unsuitable packaging:

Wrapping paper, greaseproof paper, cellophane, bin liners and used shopping bags.

Items suitable for sealing packaged food:

Rubber bands, plastic clips, string, cold-resistant adhesive tape, etc.

Bags and tubular film made of polyethylene can be sealed with a film heat sealer.

Shelf life of frozen food

Depends on the type of food.

At a temperature of -18 °C:

- Fish, sausage, ready meals and cakes and pastries:
up to 6 months
- Cheese, poultry and meat:
up to 8 months
- Vegetables and fruit:
up to 12 months

Super freezing

Food should be frozen solid as quickly as possible in order to retain vitamins, nutritional value, appearance and flavour.

To prevent an undesirable temperature rise when placing fresh food in the freezer compartment, switch on super freezing several hours beforehand. As a rule, 4–6 hours is adequate.

If the max. freezing capacity is to be used, super freezing must be switched on for 24 hours before the fresh produce is placed in the freezer compartment.

Smaller quantities of food (up to 2 kg) can be frozen without “super freezing”.

Note

When super freezing is switched on, increased operating noises may occur.

Switching on and off

Fig. 2

Press “super” button 2.

If the super freezing has been switched on the button is lit.

Super freezing automatically switches off after approx. 2½ days.

Thawing frozen food

Depending on the type and application, select one of the following options:

- at room temperature
- in the refrigerator
- in an electric oven, with/without fan assisted hot-air
- in the microwave

Caution

Do not refreeze food which is beginning to thaw or which has already thawed. It can only be refrozen when it has been used to prepare a ready meal (boiled or fried).

No longer store the frozen produce for the max. storage period.

Interior fittings

* Not all models.

Glass shelves

Fig. **6**

If required, you can vary the shelves inside the appliance: To do this, pull out shelf, lift at the front and take out.

Door shelf

Fig. **7**

Lift shelf upwards and take out.

Variable shelf

Fig. **8**

The shelf can be folded down if required: Pull shelf forwards, lower and press backwards.

The shelf is suitable for storing food and bottles.

Vegetable container with humidity control

Fig. **9**

To create the optimum storage climate for vegetables, salad and fruit, the air humidity in vegetable container can be regulated according to the quantity stored.

Smaller quantities of food – slide the regulator to the right.

Larger quantities of food – slide the regulator to the left.

Bottle holder

Fig. **1/22**

The bottle holder prevents bottles from falling over when the door is opened and closed.

Ice cube tray

Fig. **10**

Fill the ice cube tray $\frac{3}{4}$ full of water and place in the freezer compartment.

If the ice tray is stuck to the freezer compartment, loosen with a blunt implement only (spoon-handle).

To loosen the ice cubes, twist the ice tray slightly or hold briefly under flowing water.

Freezer calendar

Fig. **1/16**

To prevent the quality of the food from deteriorating, it is important that the permitted storage period is not exceeded. The storage period depends on the type of produce. The figures next to the symbols indicate the permitted storage period of the produce in months. When purchasing frozen produce, observe the date of manufacture or use-by date.

Switching off and disconnecting the appliance

Switching off the appliance

Fig. 2

Press the On/Off button 1. Temperature display goes out, refrigerating unit switches off.

Disconnecting the appliance

If you do not use the appliance for a prolonged period:

1. Switch off the appliance.
2. Pull out mains plug or switch off fuse.
3. Clean the appliance.
4. Leave the appliance door open.

Defrosting

Refrigerator compartment defrosts fully automatically

While the refrigerating unit is running, beads of condensation or hoarfrost form at the back of the refrigerator compartment. This is quite normal. It is not necessary to wipe off the condensation or frost. The rear panel defrosts automatically. The condensation runs into the condensation channel, Fig. 11, and is conveyed to the refrigerating unit where it evaporates.

Note

Keep the condensation channel and drainage hole clean, so that the condensation can run out.

Defrosting the freezer compartment

The freezer compartment does not defrost automatically, otherwise the frozen food would start thawing. A layer of frost in the freezer compartment impairs refrigeration of the frozen food and increases power consumption. Remove the layer of hoarfrost regularly.



Caution

Do not scrape off hoarfrost or ice with a knife or pointed object. You could damage the refrigerant tubes. Leaking refrigerant may ignite or cause eye injuries.

Proceed as follows:

1. Remove the frozen food and place temporarily in a cool location.
2. Switch the appliance off.
3. Pull out the mains plug or remove the fuse.
4. To accelerate the defrosting process, place a pan of hot water on a trivet in the freezer compartment. Fig. 12
5. Wipe up condensation with a cloth or sponge.
6. Wipe dry the freezer compartment.
7. Switch the appliance on again.
8. Put the frozen food back in the freezer compartment.

Cleaning the appliance

Caution

- Do not use abrasive, chloride or acidic cleaning agents or solvents.
- Do not use scouring or abrasive sponges. The metallic surfaces could corrode.
- Never clean shelves and containers in the dishwasher. The parts may become deformed!

Proceed as follows:

1. Before cleaning: Switch the appliance off.
2. Pull out the mains plug or switch off the fuse.
3. Take out the frozen food and store in a cool location.
4. Clean the appliance with a soft cloth, lukewarm water and a little pH neutral washing-up liquid. The rinsing water must not run into the light.
5. Wipe the door seal with clear water only and then wipe dry thoroughly.
6. Rinsing water must not run through the drainage hole into the evaporation area.
7. After cleaning reconnect and switch the appliance back on.
8. Put the frozen food back in the freezer compartment.

Interior fittings

All variable parts of the appliance can be taken out for cleaning.

Take out glass shelves

Fig. **6**

To do this, pull out shelf, lift at the front and take out.

Taking out pull-out container

Fig. **13**

Pull out the container.

Take out shelves in the door

Fig. **7**

Lift shelves upwards and take out.

Odours

If you experience unpleasant odours:

1. Switch off the appliance with the On/Off button. Fig. **2**/1
2. Take all food out of the appliance.
3. Clean the interior. See “Cleaning the appliance”.
4. Clean all packages.
5. Seal strong smelling food in order to avoid odours from forming.
6. Switch on the appliance again.
7. Store food in the appliance.
8. Check whether the formation of odours is still occurring after 24 hours.

Light (LED)

Your appliance features a maintenance-free LED light.

These lights may be repaired by customer service or authorised technicians only.

Tips for saving energy

- Install the appliance in a dry, well ventilated room! The appliance should not be installed in direct sunlight or near a heat source (e.g. radiator, cooker).

If required, use an insulating plate.

- Allow warm food and drinks to cool down before placing in the appliance!
- When thawing frozen products, place them in the refrigerator. Use the coldness of the frozen food to cool food.
- Regularly defrost the freezer compartment to remove the layer of frost!

A layer of hoarfrost will impair refrigeration of the frozen food and increase power consumption.

- Open the appliance as briefly as possible.
- Occasionally clean the rear of the appliance to prevent an increased power consumption.
- If available: Fit wall spacers to obtain the indicated energy rating of the appliance (see Installation instructions). A reduced wall gap will not restrict the function of the appliance. The energy rating may then change slightly. The gap of 75 mm must not be exceeded.

Operating noises

Quite normal noises

Droning

Motors are running (e.g. refrigerating units, fan).

Bubbling, humming or gurgling noises

Refrigerant is flowing through the tubing.

Clicking

Motor, switches or solenoid valves are switching on/off.

Preventing noises

The appliance is not level

Please align the appliance with a spirit level. Use the height-adjustable feet or place packing underneath them.

The appliance is not free-standing

Please move the appliance away from adjacent units or appliances.

Containers or storage areas wobble or stick

Please check the removable parts and re-insert them correctly if required.

Bottles or receptacles are touching each other

Move the bottles or receptacles slightly away from each other.

Eliminating minor faults yourself

Before you call customer service:

Please check whether you can eliminate the fault yourself based on the following information.

Customer service will charge you for advice – even if the appliance is still under guarantee!

Fault	Possible cause	Remedial action
Temperature differs greatly from the set value.		<p>In some cases it is adequate to switch off the appliance for 5 minutes.</p> <p>If the temperature is too high wait a few hours and check whether the temperature has approached the set value.</p> <p>If the temperature is too low check the temperature again the next day.</p>
Displays do not illuminate.	Power failure; the fuse has been switched off; the mains plug has not been inserted properly.	Connect mains plug. Check whether the power is on, check the fuses.
Warning signal sounds, alarm button lights up. Fig. 2/5 The freezer compartment is too warm! The frozen food is at risk of thawing!		To switch off the warning signal, press the alarm button 5.
	Appliance is open.	Close the appliance.
	Ventilation openings have been covered.	Ensure that there is adequate ventilation.
	Too much food was placed in the freezer compartment at once.	Do not exceed max. freezing capacity.
		When the fault has been eliminated, the alarm display goes out shortly afterwards.
Appliance is not cooling, temperature display and light are lit.	Showroom mode is switched on.	<p>Hold down alarm button 2/5 for 10 seconds until an acknowledgement signal sounds.</p> <p>After a short time check whether your appliance is cooling.</p>

Fault	Possible cause	Remedial action
Freezer compartment temperature display flashes. Fig. 2/4		To switch off the warning signal, press the Alarm button 5.
Warning signal sounds	Appliance is open.	Close the appliance.
The Alarm button is lit. Fig. 2/5	Ventilation openings have been covered.	Ensure that there is adequate ventilation.
The freezer compartment is too warm!	Too much food was placed in the freezer compartment at once.	Do not exceed max. freezing capacity.
The frozen food is at risk of thawing!		When the fault has been eliminated, the Alarm display goes out shortly afterwards.
Freezer compartment temperature display flashes. Fig. 2/4	A fault caused the freezer compartment to become too warm in the past.	When the alarm button 5 is pressed, the temperature display stops flashing. Fig. 2/4 The temperature display indicates for 5 seconds the warmest temperature which was reached in the freezer compartment.

Appliance self-test

Your appliance features an automatic self-test program which shows you sources of faults which may be repaired by customer service only.

Starting the appliance self-test

1. Switch off the appliance and wait 5 minutes.
2. Switch on appliance and hold down the super button, Fig. 2/2, for 3-5 seconds within the first 10 seconds until an acoustic signal sounds.

The self-test programme starts.

While the self-test is running, a long acoustic signal sounds.

When the self-test ends and an acoustic signal sounds twice, your appliance is in working order.

If the Super button flashes for 10 seconds and 5 acoustic signals sound, there is a fault. Inform customer service.

Ending the appliance self-test

When the programme has ended, the appliance switches over to normal operation.

Customer service

Your local customer service can be found in the telephone directory or in the customer-service index. Please provide customer service with the appliance product number (E-Nr.) and production number (FD).

These specifications can be found on the rating plate. Fig. 14

To prevent unnecessary call-outs, please assist customer service by quoting the product and production numbers. This will save you additional costs.

Repair order and advice on faults

Contact information for all countries can be found on the enclosed customer service list.

GB 0844 8928999 Calls from a BT landline will be charged at up to 3 pence per minute. A call set-up fee of up to 6 pence may apply.

IE 01450 2655

US 866 447 4363 toll-free

Указания по безопасности и предупреждения

Прежде чем ввести прибор в эксплуатацию

Внимательно прочтите инструкцию по монтажу и эксплуатации! В ней содержится важная информация по установке, использованию и техническому обслуживанию прибора.

Изготовитель не несет никакой ответственности за последствия, если Вы не соблюдали указания и предупреждения, приведенные в инструкции по эксплуатации. Сохраните всю документацию для позднейшего использования или для передачи ее следующему владельцу прибора.

Техническая безопасность

В бытовом приборе содержится незначительное количество экологически чистого, но воспламеняющегося хладагента R600a. Проследите, пожалуйста, чтобы при транспортировке или установке бытового прибора не были повреждены трубки контура, по которому циркулирует хладагент. Брызги хладагента могут воспламениться или, попав в глаза, привести к их поражению.

При повреждениях:

- Не подходите близко к бытовому прибору с открытым пламенем или какими-либо иными источниками воспламенения,
- хорошо проветрите помещение в течение нескольких минут,
- выключите холодильник и извлеките вилку из розетки,
- сообщите о повреждениях в сервисную службу.

Чем большее количество хладагента содержится в бытовом приборе, тем больше должно быть помещение, в котором он установлен. В слишком маленьких помещениях при утечке хладагента может образоваться горючая смесь паров хладагента с воздухом.

На каждые 8 г хладагента должен приходиться как минимум 1 м³ помещения. Количество хладагента, содержащееся в Вашем бытовом приборе, приведено в фирменной табличке, расположенной внутри бытового прибора.

В случае повреждения сетевой шнур данного прибора заменяется изготовителем, сервисной службой или специалистом с соответствующей квалификацией. Неквалифицированно выполненные установка и ремонт бытового прибора могут превратить его в источник серьезной опасности для пользователя.

Ремонт производится только изготовителем, сервисной службой или специалистом с соответствующей квалификацией.

Разрешается использовать только оригинальные запчасти изготовителя. Только в отношении этих деталей изготовитель гарантирует, что они отвечают требованиям техники безопасности.

Удлинитель сетевого шнура можно приобретать только в сервисной службе.

При эксплуатации

- Никогда не ставьте внутрь прибора какие-либо включенные электроприборы (например, нагревательные приборы, электрические мороженицы и пр.). Взрывоопасность!
- Никогда не используйте для размораживания или чистки бытового прибора парочистители! Пар может попасть на электрические детали и вызвать короткое замыкание. Опасность поражения электрическим током!
- Иней и лед нельзя удалять с помощью предметов с острым концом или острыми краями. Тем самым Вы можете повредить трубки, по которым циркулирует хладагент. Брызги хладагента могут воспламениться или, попав в глаза, привести к их поражению.
- Нельзя хранить в холодильнике продукты в аэрозольных упаковках с горючими рабочими газами (например, баллончики с распылительной головкой) и взрывоопасные вещества. Взрывоопасность!
- Цокольную подставку, выдвигаемые элементы конструкции, дверцы и прочие детали нельзя использовать в качестве подножки или опоры.
- Перед тем как начать размораживание или чистку бытового прибора, извлеките вилку из розетки или выключите предохранитель. Извлекать вилку из розетки следует, взявшись за ее корпус, а не за сетевой шнур.
- Крепкие алкогольные напитки можно хранить в холодильнике лишь в плотно закрытой, установленной вертикально посуде.
- Следите за тем, чтобы на пластмассовые детали и на уплотнитель дверцы не попадали жиры или масла. Иначе они могут стать пористыми.
- Никогда не закрывайте и ничем не загораживайте вентиляционные отверстия бытового прибора.
- Использование данного прибора лицами (в т. ч. детьми) с ограниченными физическими, сенсорными или умственными способностями или с недостатком опыта разрешается только под присмотром ответственных за их безопасность лиц или после получения от них указаний, как пользоваться прибором.
- В морозильном отделении нельзя хранить жидкости в бутылках или жестяных банках (особенно газированные напитки). Бутылки и банки могут лопнуть!
- Никогда не берите замороженные продукты из морозильного отделения сразу в рот. Опасность обмороживания!
- Избегайте продолжительного контакта рук с замороженными продуктами, льдом или трубками испарителя и т. д. Опасность обмороживания!

Если в доме есть дети

- Упаковку и ее составные части нельзя отдавать детям. Существует опасность удушья, которой дети подвергаются, закрывшись в картонной коробке или запутавшись в полиэтиленовой пленке!
- Холодильник – это не игрушка для детей!
- В случае с холодильниками, дверь которых закрывается на замок: храните ключ от замка в недоступном для детей месте!

Общая информация

Бытовой прибор предназначен

- для охлаждения и замораживания продуктов питания,
- для приготовления пищевого льда.

Этот прибор предназначен для использования в частном домашнем хозяйстве и в бытовых условиях.

Согласно предписаниям Директивы ГОСТ Р 51318.14.1-99, ГОСТ Р 51318.14.2-99, ГОСТ Р 51317.3.2-99, ГОСТ Р 51317.3.3-99, холодильник при работе не создает радиопомех.

Контур циркуляции хладагента проверен на герметичность.

Данный холодильник отвечает соответствующим требованиям Предписаний по технике безопасности для электрических приборов ГОСТ Р МЭК 60335-2-24.

Указания по утилизации

Утилизация упаковки

Весь упаковочный материал, который использовался для защиты холодильника при транспортировке, пригоден для вторичной переработки и не наносит вреда окружающей среде. Внесите, пожалуйста, и Вы свой вклад в дело защиты окружающей среды, сдав упаковку на экологичную утилизацию.

Информацию об актуальных методах утилизации Вы можете получить у Вашего торгового агента или в административных органах по месту Вашего жительства.

Утилизация старого холодильника

Отслужившие свой срок старые бытовые приборы нельзя рассматривать как бесполезные отходы! Благодаря экологичной утилизации из них удастся получить ценное сырье.

Предупреждение

В случае с отслужившими свой срок бытовыми приборами:

1. Извлеките вилку из розетки.
2. Отрежьте сетевой шнур и уберите его подальше вместе с вилкой.
3. Не извлекайте из бытового прибора полки и контейнеры, чтобы дети не смогли в него забраться!
4. Не позволяйте детям играть со старым бытовым прибором. Опасность удушья!

В холодильной установке содержится хладагент. В изоляции бытового прибора – газы, утилизация которых должна проводиться квалифицированно. Трубки контура, по которому циркулировал хладагент, ни в коем случае не должны быть повреждены до начала утилизации.

Объем поставки

Убедитесь в отсутствии возможных повреждений элементов при транспортировке, освободив все элементы от упаковки.

С рекламациями обращайтесь в магазин, в котором Вы приобрели прибор, или в нашу сервисную службу.

В комплект поставки входят следующие элементы:

- Напольный прибор
- Мешок с монтажными материалами
- Оснащение (в зависимости от модели)
- Инструкция по эксплуатации
- Инструкция по монтажу
- Книжка сервисной службы
- Гарантия в приложении
- Информация о расходе электроэнергии и шумах

Температура окружающей среды и вентиляция

Температура окружающей среды

Холодильник относится к определенному климатическому классу. В зависимости от климатического класса, холодильник может работать при приведенных ниже значениях температуры окружающей среды.

Климатический класс прибора указан в его типовой табличке (рисунок 14).

Климатический класс	Допустимая температура окружающей среды
SN	от +10 °С до +32 °С
N	от +16 °С до +32 °С
ST	от +16 °С до +38 °С
T	от +16 °С до +43 °С

Указание

Полная функциональность прибора обеспечена в пределах температуры окружающей среды указанного климатического класса. Если прибор климатического класса SN работает при более низкой температуре окружающей среды, то повреждения прибора можно исключить до температуры +5 °С.

Вентиляция

Рисунок **3**

У задней стенки бытового прибора воздух нагревается. Нагретый воздух должен иметь возможность беспрепятственно удаляться. Иначе холодильный агрегат должен будет работать с повышенной нагрузкой. А это повышает расход электроэнергии. Поэтому: Никогда не закрывайте и ничем не загораживайте вентиляционные отверстия холодильника!

Подключение бытового прибора

После установки бытового прибора следует подождать как минимум 1 час и только потом вводить его в эксплуатацию. Так как не исключено, что во время транспортировки бытового прибора содержащееся в компрессоре масло могло попасть в систему охлаждения.

Перед вводом бытового прибора в эксплуатацию в первый раз следует почистить его изнутри (смотрите раздел «Чистка бытового прибора»).

Электроподключение

Розетка должна находиться вблизи прибора и в свободно доступном месте даже после установки прибора.

Прибор соответствует классу защиты I. Прибор подключайте к сети переменного тока 220–240 В/50 Гц с помощью установленной надлежащим образом розетки с заземлителем. Сетевая розетка должна быть оснащена предохранителем на 10–16 А.

В случае с бытовыми приборами, которые будут эксплуатироваться в неевропейских странах, необходимо проследить, чтобы значение напряжения и вид тока совпадали с параметрами электросети пользователя. Все эти данные Вы сможете найти в типовой табличке холодильника, рисунок **14**

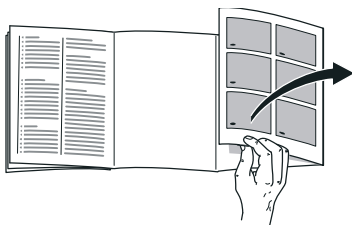


Предупреждение

Прибор нельзя ни в коем случае подключать к электронным энергосберегающим штекерам.

Для использования наших бытовых приборов можно применять ведомые сетью и синусные инверторы. Ведомые сетью инверторы применяются в фотогальванических энергетических установках, которые подсоединяются непосредственно к общественной сети энергоснабжения. В изолированных условиях (напр., на кораблях или в горных приютах) без непосредственного подсоединения к общественной электросети необходимо применение синусных инверторов.

Знакомство с бытовым прибором



Откройте, пожалуйста, последние страницы с рисунками. Данная инструкция по эксплуатации действительно для нескольких моделей.

Комплектация моделей может отличаться друг от друга.

Поэтому в рисунках не исключены некоторые отличия.

Рисунок **1**

* Не во всех моделях.

- 1-9 Элементы управления
- 10 Освещение
- 11 Полки в холодильном отделении
- 12 Контейнер для яиц
- 13 Вариативная полка
- 14 Выдвижной контейнер
- 15 Бокс для овощей
- 16 Календарь со сроками хранения замороженных продуктов
- 17 Бокс для замороженных продуктов
- 18 Винтовые ножки
- 19 Вентиляционное отверстие
- 20 Отделение для масла и сыра
- 21 Полка для яиц
- 22 Держатель для бутылок
- 23 Полка для больших бутылок

- A Холодильное отделение
- B Морозильное отделение

Элементы управления

Рисунок **2**

- 1 **Кнопка включения/выключения**
Главный выключатель служит для включения и выключения всего прибора.
- 2 **Кнопка «super» морозильное отделение**
Служит для включения и выключения суперзамораживания.
- 3 **Кнопки установки температуры морозильного отделения**
С помощью этих кнопок устанавливается температура в морозильном отделении.
- 4 **Индикация температуры в морозильном отделении**
Цифры соответствуют значениям установленной для морозильного отделения температуры в °C.
- 5 **Кнопка «alarm»**
Данная кнопка служит для выключения предупредительного сигнала (смотрите раздел «Предупредительная функция»).
- 6 **Кнопка «holiday»**
Служит для включения и выключения отпускного режима, см. раздел «Отпускной режим эксплуатации».

- 7 **Кнопки установки температуры холодильного отделения**
С помощью этих кнопок устанавливается температура в холодильном отделении.
- 8 **Индикация температуры в холодильном отделении**
Цифры соответствуют значениям установленной для холодильного отделения температуры в °С.
- 9 **Кнопка «super» холодильное отделение**
Данная кнопка служит для включения и выключения функции суперохлаждения.

Включение бытового прибора

Рисунок 2

1. Включите прибор с помощью кнопки включения/выключения 1. Звучит предупредительный сигнал, индикация температуры 4 мигает и кнопка «alarm» 5 светится.
2. После нажатия на кнопку «alarm» 5 предупредительный сигнал выключается. Прибор начнет производить холод. Освещение при открытой дверце включено.

Специалистами завода-изготовителя рекомендуются следующие установочные значения температуры:

- Холодильное отделение: +4 °С
- Морозильное отделение: -18 °С

Указания по эксплуатации

- Прибору может потребоваться после включения несколько часов для достижения установленного уровня температуры. Раньше этого срока загружать продукты в бытовой прибор нельзя.
- Передняя сторона корпуса местами слегка подогревается, что препятствует образованию конденсата вокруг уплотнителя дверцы.
- Если после закрывания морозильного отделения дверцу не удастся сразу снова открыть, то подождите, пожалуйста, некоторое время, пока компенсируется создавшееся внутри отделения пониженное давление.

Установка температуры

Рисунок 2

Холодильное отделение

Температура регулируется в диапазоне от +3 °С до +8 °С.

Нажимайте на кнопку установки температуры 7 до тех пор, пока не будет установлена необходимая Вам для холодильного отделения температура.

Заданное в последнюю очередь значение записывается в память. Индикация температуры 8 показывает установленную температуру.

Отпускной режим эксплуатации

На период длительного отсутствия Вы можете перевести холодильник в отпускной режим – режим экономии электроэнергии.

Температура в холодильном отделении автоматически переводится на значение +14 °С.

В это время в холодильном отделении не следует хранить продукты питания.

Включение и выключение функции

Рисунок 2

Нажмите на кнопку «holiday» 6.

При включенном отпускном режиме кнопка светится, а индикация температуры холодильного отделения 8 не показывает никакой температуры.

Предупредительная функция

Предупредительная сигнализация может включиться в следующих случаях:

Предупредительный сигнал при открытой дверце

Предупредительный сигнал при открытой дверце (непрерывный звуковой сигнал) включается, если дверца прибора остается открытой дольше одной минуты. После закрывания двери предупредительный сигнал выключается.

Предупредительный сигнал при повышении температуры

Предупредительный сигнал при повышении температуры включается, если в морозильном отделении становится слишком тепло и замороженные продукты могут разморозиться.

После нажатия на кнопку «alarm» 5 (выключение предупредительной сигнализации) на дисплее индикации температуры 4 в течение пяти секунд светится значение самой высокой температуры, которая устанавливалась в морозильном отделении.

Затем это значение температуры исчезает. Индикация температуры морозильного отделения 4 показывает установленную температуру в морозильном отделении, не мигая.

Начиная с этого момента, снова определяется «самая теплая температура», которая затем записывается в память.

Предупредительная сигнализация может включиться, даже если замороженным продуктам не угрожает размораживание, в следующих случаях:

- при вводе прибора в эксплуатацию,
- при загрузке большого количества свежих продуктов питания,
- при слишком долго открытой двери морозильного отделения.

Указание

Подтаявшие или полностью размороженные продукты нельзя снова замораживать. Только после тепловой обработки продуктов (их можно сварить или поджарить) готовые блюда можно снова заморозить.

Но готовые блюда нельзя хранить так долго, как свежие продукты.

Отключение предупредительной сигнализации

Рисунок **2**

Предупредительная сигнализация выключается нажатием кнопки «alarm» 5.

Полезный объем

Данные, касающиеся полезного объема, Вы сможете найти, внутри своего бытового прибора на типовой табличке. Рисунок **14**

Полное использование производительности замораживания

Чтобы загрузить максимальное количество замороженных продуктов, можно вынуть все элементы оснащения. Продукты можно затем сложить прямо на полках и на дне морозильного отделения.

Извлечение элементов оснащения

Вытяните бокс для замороженных продуктов до упора, приподнимите спереди и извлеките. Рисунок **4**

Холодильное отделение

Холодильное отделение – это идеальное место для хранения готовых блюд, хлебобулочных изделий, консервов, сгущенного молока, твердого сыра, чувствительных к холоду овощей и фруктов, а также южных плодов.

На что обратить внимание при размещении продуктов:

Продукты питания следует хранить в плотной упаковке или в закрытой посуде. В результате останутся неизменными аромат, цвет и свежесть продуктов. Кроме того, удастся избежать изменения вкуса продуктов в результате их соприкосновения друг с другом, а также изменения цвета пластмассовых деталей.

Указание

Избегайте касания продуктами питания задней стенки. Это нарушит циркуляцию воздуха.

Продукты питания или упаковки могут примерзнуть к задней стенке.

Обратите внимание на различные температурные зоны в холодильном отделении!

Из-за циркуляции воздуха в холодильном отделении возникают различные температурные зоны:

- Зона самой низкой температуры находится между боксом для овощей и фруктов и расположенной над ним стеклянной полкой. Рисунок 5

Указание

Храните в зоне самой низкой температуры над боксом для овощей и фруктов скоропортящиеся продукты (напр., рыбу, колбасу, мясо).

- Зона самой высокой температуры находится в самой верхней части дверцы.

Указание

В этом месте лучше всего хранить, например, сыр и масло. До подачи на стол сыр сохраняет свой аромат, а масло остается мягким.

Суперохлаждение

При этом холодильное отделение в течение 15 часов охлаждается до самой низкой предельно-допустимой температуры. Затем происходит автоматическое переключение на установленную до включения суперохлаждения температуру.

Функцию суперохлаждения следует включать, например:

- перед загрузкой в холодильное отделение большого количества свежих продуктов питания,
- для быстрого охлаждения напитков.

Указание

Во время работы суперохлаждения эксплуатационный шум может усиливаться.

Включение и выключение функции

Рисунок 2

Нажмите на кнопку «super» холодильного отделения 9.

Эта кнопка горит, если включено суперохлаждение.

Морозильное отделение

Использование морозильного отделения

- Для хранения замороженных продуктов питания.
- Для приготовления кубиков пищевого льда.
- Для замораживания свежих продуктов.

Указание

Следите, пожалуйста, за тем, чтобы дверца морозильного отделения всегда была закрыта! Так как при открытой двери замороженные продукты могут подтаять и стенки морозильного отделения покрываются толстым слоем льда. Кроме того: расточительно расходуется электроэнергия из-за повышенного потребления тока!

Макс. производительность замораживания

Данные по макс. производительности замораживания в течение 24 часов Вы найдете в фирменной табличке. Рисунок **14**

Замораживание и хранение продуктов

Покупка замороженных продуктов

- Упаковка не должна быть повреждена.
- Обращайте внимание на указанный срок хранения.
- Температура в морозильном шкафу в магазине должна быть $-18\text{ }^{\circ}\text{C}$ или ниже.
- Замороженные продукты перед транспортировкой следует по возможности сложить в термоизолирующую сумку и дома побыстрее загрузить в морозильное отделение.

Как заморозить продукты самостоятельно

Замораживать следует только очень свежие продукты, находящиеся в безупречном состоянии.

Постарайтесь, чтобы предназначенные для замораживания свежие продукты питания не соприкасались с уже замороженными продуктами.

Упакуйте продукты герметично, чтобы они не потеряли вкус и не вымерзли.

Хранение замороженных продуктов

Для обеспечения оптимальной циркуляции воздуха в приборе бокс для замороженных продуктов необходимо задвинуть до упора.

В случае загрузки большого количества продуктов их можно сложить прямо на стеклянных полках и днище морозильного отделения. Для этого извлеките все боксы для замороженных продуктов. Вытяните бокс для замороженных продуктов до упора, приподнимите спереди и извлеките. Рисунок **4**

Замораживание свежих продуктов питания

Для замораживания следует брать только абсолютно свежие продукты питания.

Чтобы как можно лучше сохранить пищевую ценность, аромат и цвет, овощи следует перед замораживанием бланшировать. Бланширование не требуется для баклажанов, сладкого стручкового перца, кабачков и спаржи.

Литературу о замораживании и бланшировании Вы найдете в книжных магазинах.

Указание

Постарайтесь, чтобы предназначенные для замораживания свежие продукты питания не соприкасались с уже замороженными продуктами.

- Замораживать можно: выпечку, рыбу и морепродукты, мясо, дичь, птицу, овощи, фрукты, зелень, яйца без скорлупы, молочные продукты, напр., сыр, масло и творог, готовые блюда и остатки приготовленных блюд, напр., супы, рагу, приготовленные мясо и рыбу, блюда из картофеля, запеканки и сладкие блюда.
- Замораживать нельзя: употребляемые в пищу преимущественно в сыром виде овощи, напр., листовые салаты или редиска, яйца в скорлупе, виноград, целые яблоки, груши, персики, сваренные вкрутую яйца, йогурт, простоквашу, сметану, крем-фреш и майонез.

Упаковка продуктов для замораживания

Упакуйте продукты герметично, чтобы они не потеряли вкус и не вымерзли.

1. Положите продукты в упаковку.
2. Выдавите из упаковки весь воздух.
3. Герметично закройте упаковку.
4. Укажите на упаковке, что в ней находится, и когда продукты были заморожены.

В качестве упаковки можно использовать:

пленку из различных синтетических материалов, рукава из полиэтиленовой пленки, алюминиевую фольгу, специальные емкости для замораживания продуктов. Всю эту продукцию Вы найдете в специализированных магазинах.

В качестве упаковки нельзя использовать:

упаковочную или пергаментную бумагу, целлофан, мешки для мусора, использованные полиэтиленовые пакеты.

Для закрывания упаковки можно использовать:

резиновые кольца, пластмассовые зажимы, шпагат, морозостойкую клейкую ленту и пр.

Мешки и рукава из полиэтиленовой пленки можно заварить с помощью специального сварочного аппарата.

Продолжительность хранения замороженных продуктов

Эти сроки зависят от вида продуктов питания.

При температуре $-18\text{ }^{\circ}\text{C}$:

- Рыба, колбаса, готовые блюда, хлебо-булочные изделия:
до 6 месяцев
- Сыр, птица, мясо:
до 8 месяцев
- Овощи, фрукты:
до 12 месяцев

Суперзамораживание

Чтобы в замороженных продуктах сохранились витамины и питательные вещества, а также не испортились их привлекательный вид и хороший вкус, продукты должны как можно быстрее промерзнуть до самой сердцевины.

Чтобы сразу после загрузки свежих продуктов питания в морозильном отделении нежелательным образом не поднялась температура, за несколько часов до загрузки продуктов необходимо включить функцию суперзамораживания. В общем и целом достаточно 4–6 часов.

Для использования максимальной производительности замораживания, включите суперзамораживание за 24 часа до загрузки свежих продуктов.

Небольшие количества продуктов питания (до 2 кг) можно замораживать без включения суперзамораживания.

Указание

Во время работы суперзамораживания эксплуатационный шум может усиливаться.

Включение и выключение функции

Рисунки **2**

Нажмите кнопку «super» 2.

После включения функции суперзамораживания эта кнопка загорается.

Функция суперзамораживания выключается автоматически через $2\frac{1}{2}$ дня.

Размораживание продуктов

В зависимости от вида и способа приготовления продуктов можно выбрать один из следующих способов их размораживания:

- при комнатной температуре,
- в холодильном отделении,
- в электрическом духовом шкафу, с обдувом горячим воздухом или без,
- в микроволновой печи.



Внимание

Подтаявшие или полностью размороженные продукты нельзя снова замораживать. Только после тепловой обработки продуктов (их можно сварить или поджарить) готовые блюда можно снова заморозить.

Но их нельзя хранить так же долго, как и замороженные свежие продукты.

Специальное оснащение

* Не во всех моделях.

Стекло́нные полки

Рисунок 6

Полки внутри прибора можно по желанию переставлять: Для этого потяните полку к себе, приподнимите спереди и извлеките.

Полка на двери холодильника

Рисунок 7

Приподнимите полку вверх и извлеките.

Вариативная полка

Рисунок 8

Полку можно при необходимости опустить вниз: Потяните полку к себе, опустите вниз и нажмите назад.

Она пригодна для хранения продуктов и бутылок.

Бокс для овощей и фруктов с регулятором влажности

Рисунок 9

Для создания оптимальных условий для хранения овощей, салата и фруктов в боксе для овощей и фруктов можно регулировать уровень влажности в зависимости от количества загруженных продуктов.

Небольшое количество продуктов – регулятор передвинуть вправо.

Большое количество продуктов – регулятор передвинуть влево.

Держатель для бутылок

Рисунок 11/22

Держатель для бутылок препятствует их опрокидыванию при открывании и закрывании дверцы холодильника.

Ванночка для приготовления кубиков пищевого льда

Рисунок 10

Наполните ванночку водой на $\frac{3}{4}$ ее объема и поставьте в морозильное отделение.

Если она примерзнет ко дну морозильного отделения, то отделять ее можно только каким-либо тупым предметом (например, ручкой ложки).

Чтобы извлечь кубики льда из ванночки, ее можно немного подержать в проточной воде или слегка изогнуть.

Календарь со сроками хранения замороженных продуктов

Рисунок 11/16

Во избежание ухудшения качества замороженных продуктов нельзя ни в коем случае превышать допустимый срок хранения. Продолжительность хранения зависит от вида замороженных продуктов. Цифры рядом с символами – это допустимые сроки хранения замороженных продуктов в месяцах. В случае с готовыми замороженными продуктами, купленными в магазине, необходимо учитывать дату изготовления или срок годности продуктов, указанный на их упаковке.

Выключение прибора и вывод его из эксплуатации

Выключение прибора

Рисунок 2

Нажмите кнопку 1 включения/выключения.
Индикация температуры гаснет, и холодильная машина отключается.

Вывод прибора из эксплуатации

Если Вы не будете пользоваться прибором в течение продолжительного времени:

1. Выключите прибор.
2. Извлеките вилку из розетки или выключите предохранитель.
3. Проведите чистку прибора.
4. Оставьте дверцу прибора открытой.

Размораживание

Холодильное отделение оттаивает полностью автоматически

Во время работы холодильной установки на задней стенке холодильного отделения отобразуются капли талой воды или иней. Это обусловлено конструктивными особенностями холодильника. Вам не нужно стирать капли воды или соскребать иней.

Задняя стенка оттаивает автоматически. Талая вода собирается в сливном желобке, рисунок 11. По этому желобку талая вода стекает в холодильную установку и там испаряется.

Указание

Регулярно проводите чистку желобка и сливного отверстия чтобы по ним могла стекать талая вода.

Размораживание морозильного отделения

Морозильное отделение не размораживается автоматически, так как замороженные продукты не должны подтаивать. Толстый слой инея на стенках морозильного отделения ухудшает передачу холода на замораживаемые продукты и повышает расход электроэнергии. Регулярно удаляйте слой инея.



Внимание

Слой инея или льда нельзя соскребать ножом или каким-либо иным острым предметом. Тем самым Вы можете повредить трубки, по которым циркулирует хладагент. Брызги хладагента могут воспламениться или, попав в глаза, вызвать их воспаление.

Поступайте следующим образом:

1. Извлеките замороженные продукты из морозильного отделения и положите их в прохладное место на временное хранение.
2. Выключите бытовой прибор.
3. Извлеките вилку из розетки или выключите предохранитель.
4. Для ускорения процесса размораживания поставьте в морозильное отделение кастрюлю с горячей водой на поставке.
Рисунок 12
5. Талую воду следует собрать тряпкой или губкой.
6. Вытрите насухо морозильное отделение.
7. Снова включите прибор.
8. Загрузите в морозильное отделение замороженные продукты.

Чистка бытового прибора

 **Внимание**

- Не пользуйтесь средствами для чистки и растворителями, содержащими песок, хлорид или кислоты.
- Не используйте абразивных и царапающих губок для мытья. На металлических поверхностях может появиться коррозия.
- Никогда не кладите полки и контейнеры бытового прибора для мытья в посудомоечную машину. Они могут деформироваться!

Поступайте следующим образом:

1. Выключайте прибор перед чисткой.
2. Извлеките вилку из розетки или выключите предохранитель!
3. Извлеките замороженные продукты и положите их в прохладное место.
4. Для чистки прибора пользуйтесь мягкой тряпочкой и теплой водой с небольшим количеством моющего средства с нейтральным pH. Вода для чистки не должна попасть в систему освещения.
5. Уплотнитель дверцы следует лишь протереть тряпочкой, смоченной в чистой воде, и затем тщательно вытереть насухо.
6. Не позволяйте моющей воде стекать через дренажное отверстие в зону испарения.
7. После чистки: снова подключите прибор к электросети и включите его.
8. Загрузите в морозильное отделение замороженные продукты.

Специальное оснащение

Для чистки все передвижные элементы прибора вынимаются.

Извлечение стеклянных полок

Рисунок **6**

Для этого потяните полку к себе, приподнимите спереди и извлеките.

Извлечение выдвижного контейнера

Рисунок **13**

Извлеките контейнер.

Извлечение полок в двери

Рисунок **7**

Приподнимите вверх полки и извлеките.

Неприятные запахи

При появлении неприятных запахов:

1. Выключите прибор с помощью кнопки включения/выключения. Рисунок **2/1**
2. Извлеките из холодильника все продукты питания.
3. Проведите чистку бытового прибора изнутри. Смотрите раздел «Чистка холодильника».
4. Почистите все упаковки.
5. Во избежание возникновения неприятного запаха, сильно пахнущие продукты питания следует герметично упаковать.
6. Снова включите прибор.
7. Загрузите продукты в бытовой прибор.
8. Через 24 часа проверьте, не появились ли неприятные запахи снова.

Освещение (на светодиодах)

Ваш холодильник оснащен системой освещения на светодиодах, которая не нуждается в техобслуживании.

Ремонт освещения данного типа должен проводиться лишь силами специалистов уполномоченного сервисного центра или квалифицированными специалистами, имеющими на это разрешение.

Как сэкономить электроэнергию

- Бытовой прибор следует установить в сухом, хорошо проветриваемом помещении! Он не должен стоять на солнце или поблизости от источника тепла (например, радиатора отопления, электроплиты).
При необходимости воспользуйтесь плитой из изолирующего материала.
- Теплые продукты и напитки перед размещением в приборе следует охладить!
- Для размораживания положите замороженные продукты в холодильное отделение. Используйте холод, исходящий от замороженных продуктов, для охлаждения продуктов.

- Регулярно размораживайте слой инея в морозильном отделении! Слой инея отрицательно влияет на отдачу холода замороженным продуктам и повышает расход электроэнергии.
- Закрывайте двери прибора как можно быстрее!
- Чтобы избежать повышенного потребления электроэнергии, спинку прибора следует время от времени чистить.
- При наличии:
Установите дистанцирующий элемент для соблюдения расстояния от стенки, чтобы обеспечить определенное потребление электроэнергии прибора (смотрите инструкцию по монтажу). Недостаточное расстояние от стенки не ограничивает функциональность прибора. Потребление электроэнергии может в таком случае незначительно измениться. Расстояние не должно превышать 75 мм.

Рабочие шумы

Обычные шумы

Гудение

Работают двигатели (напр., холодильные агрегаты, вентилятор).

Бульканье или жужжание

Хладагент течет по трубам.

Щелчки

Включаются или выключаются двигатель, выключатель или магнитные клапаны.

Как избежать посторонних шумов

Холодильник стоит неровно

Выровняйте, пожалуйста, холодильник с помощью ватерпаса. Отрегулируйте по высоте винтовые ножки холодильника или подложите что-нибудь под него.

Холодильник «зажат»

Отодвиньте, пожалуйста, холодильник от стоящей рядом мебели или других бытовых приборов.

Шатающиеся или заклинившие боксы или полки

Проверьте, пожалуйста, как установлены съемные детали и, при необходимости, расположите их правильно.

Бутылки или прочие емкости прикасаются друг к другу

Немного отодвиньте, пожалуйста, бутылки или емкости друг от друга.

Самостоятельное устранение мелких неисправностей

Прежде чем вызвать Службу сервиса:

проверьте, не сможете ли Вы устранить неполадки самостоятельно с помощью приведенных ниже рекомендаций.

Вам придется оплачивать вызов специалистов Службы сервиса для консультации самостоятельно – даже во время гарантийного периода!

Неисправность	Возможная причина	Устранение
Фактическое значение температуры сильно отличается от установленного.		В некоторых случаях достаточно выключить холодильник на 5 минут. Если температура слишком высокая, то проверьте через несколько часов, не приблизилось ли фактическое значение температуры к заданному. Если температура слишком низкая, то проверьте ее на следующий день еще раз.
Звучит предупредительный сигнал, кнопка «alarm» светится. Рисунок 2/5 В морозильном отделении слишком тепло! Продукты могут растаять!	Бытовой прибор открыт.	Закройте бытовой прибор.
	Закрыты вентиляционные отверстия прибора.	Обеспечьте надлежащую вентиляцию прибора.
	За один раз было загружено слишком большое количество свежих продуктов питания, предназначенных для замораживания.	Загружайте морозильное отделение с учетом макс. производительности замораживания.
		После устранения неполадки индикация «alarm» гаснет спустя некоторое время.

Неисправность	Возможная причина	Устранение
Не горит ни один из индикаторов.	Отключили электроэнергию; сработал предохранитель; вилка «болтается» в розетке.	Подключите штепсельную вилку к сети. Посмотрите, есть ли напряжение в электросети, проверьте предохранители.
Индикация температуры морозильного отделения мигает, рисунок 2/4. Прозвучит предупредительный сигнал. Кнопка «alarm» светится. Рисунок 2/5 В морозильном отделении слишком тепло! Продукты могут растаять!	Бытовой прибор открыт.	Для выключения предупредительного сигнала нажмите на кнопку «alarm» 5. Закройте бытовой прибор.
	Закрыты вентиляционные отверстия прибора. За один раз было загружено слишком большое количество свежих продуктов питания, предназначенных для замораживания.	Обеспечьте надлежащую вентиляцию прибора. Загружайте морозильное отделение с учетом макс. производительности замораживания.
Индикация температуры морозильного отделения мигает, рисунок 2/4.	В результате неисправности в морозильном отделении температура поднималась слишком высоко.	После устранения неполадки индикация «alarm» гаснет спустя некоторое время. Нажатием на кнопку «alarm» 5 выключается мигание индикации температуры. Рисунок 2/4 Индикация температуры показывает в течение пяти секунд значение самой высокой температуры, которая устанавливалась в морозильном отделении.
Прибор не нагнетает холода, индикация температуры и освещение светятся.	Включен демонстрационный модус.	Нажимайте 10 секунд на кнопку «alarm» 2/5, пока не зазвучит подтверждающий сигнал. Проверьте через некоторое время, нагнетает ли Ваш бытовой прибор холод.

Самопроверка прибора

Ваш прибор оснащен программой автоматической самопроверки. Эта проверка покажет Вам источники неисправностей, которые могут быть устранены лишь специалистами Вашего уполномоченного сервисного центра.

Запуск программы самопроверки

1. Выключите прибор и подождите 5 минут.
2. Включите прибор и в первые 10 секунд после включения нажмите на кнопку «super», рисунок 2/2, и удерживайте ее в нажатом положении 3-5 секунд, пока не зазвучит акустический сигнал.

Программа самопроверки начнет выполняться.

Во время выполнения программы самопроверки звучит продолжительный акустический сигнал.

Двойной акустический сигнал, звучащий по завершению программы самопроверки, свидетельствует о состоянии прибора в исправности.

В случае наличия ошибки в работе прибора кнопка «super» мигает в течение 10 секунд, и акустический сигнал звучит 5 раз. Обратитесь за помощью в сервисную службу.

Окончание самопроверки

После окончания программы прибор переключается в обычный режим работы.

Служба сервиса

Телефон и адрес расположенного неподалеку от Вас уполномоченного сервисного центра Вы сможете найти в телефонной книге или в перечне сервисных центров. При обращении в Службу сервиса назовите, пожалуйста, номер изделия (E-Nr.) и заводской номер (FD) Вашего холодильника.

Эти данные Вы найдете в фирменной табличке. Рисунок 14

Помогите, пожалуйста, избежать ненужных выездов специалистов, правильно указав заводской номер и номер изделия. Тем самым Вы сэкономите связанные с этим расходы.

Заявка на ремонт и консультация при неполадках

Контактные данные всех стран Вы найдёте в приложенном списке сервисных центров.

Рекомендації з дотримання безпеки та застереження

Перед початком експлуатації приладу

Прочитайте уважно інструкцію з експлуатації та установки! Інструкція містить важливу інформацію про установку, експлуатацію приладу та догляд за ним.

Виробник не несе відповідальності в разі недотримання Вами вказівок і застережень інструкції з експлуатації. Зберігайте всю документацію для майбутнього використання або для наступного власника приладу.

Технічна безпека

Даний прилад містить в незначній кількості горючий холодильний засіб R600a з високою екологічною сумісністю. Під час транспортування та установки слід пильнувати, щоб труби системи холодильної циркуляції не були пошкоджені. Бризки холодильного засобу можуть призвести до пошкоджень очей або зайнятися.

У разі пошкодження

- уникайте відкритого вогню та джерел займання,
- декілька хвилин провітрити добре приміщення,
- вимкніть прилад та вийміть штепсельну вилку із розетки,
- проінформуйте службу сервісу.

Чим більше холодильного засобу у приладі, тим більшим повинно бути приміщення, де стоїть прилад. У замалих приміщеннях у разі нещільності може утворитися горюча суміш із газу та повітря.

На 8 г холодильного засобу повинно приходиться принаймні 1 м³ приміщення. Кількість холодильного засобу в Вашому приладі вказана на табличці з технічними даними всередині приладу.

Заміна пошкодженого електрокабелю цього приладу проводиться тільки виробником, сервісною службою чи фахівцем з подібною кваліфікацією. Некваліфіковане виконання установки і ремонту може призвести до створення значної небезпеки для користувача.

Ремонт проводиться тільки виробником, сервісною службою чи фахівцем з подібною кваліфікацією.

Дозволяється використовувати тільки оригінальні запчастини виробника. Тільки відносно цих запчастин виробник гарантує, що вони відповідають вимогам техніки безпеки.

Подовжувач електрокабелю обов'язково придбайте тільки в сервісній службі.

Під час експлуатації

- Ні в якому разі не використовуйте усередині приладу електроприлади (напр., нагрівальні прилади, електроприлади для приготування морозива і т.п.). Небезпека вибуху!
- Ні в якому разі не застосовуйте для розморожування і чистки приладу пароочисні прилади! Пара може потрапити на електричні деталі та спричинити коротке замикання. Небезпека враження електричним струмом!
- Не застосовуйте ніяких гострих або ріжучих предметів для усунення нашарувань льоду та інею. Ви можете пошкодити труби із холодильним засобом. Бризки холодильного засобу можуть зайнятися або призвести до пошкоджень очей.
- Не зберігайте в приладі продукти з горючими газами (напр., розпилювачі) та вибухові речовини. Небезпека вибуху!
- Цоколь, висувні елементи, дверцята і т.д. не використовуйте поза призначенням – не спирайтеся і не ставайте на них.
- Перед розмороженням та чисткою витягніть штепсельну вилку із розетки або виключіть запобіжники. Витягайте штепсельну вилку, тримаючи її за штепсель, а не за електрокабель.
- Високопроцентний алкоголь зберігайте лише в герметично закритих упаковках і в вертикальному положенні.
- Не допускайте потрапляння олії та жиру на пластмасові деталі і ущільнення дверцят. Вони можуть стати пористими.
- Ні в якому разі не закривайте вентиляційних решіток та отворів приладу.
- Використання цього приладу особами (в т.ч. діти) з обмеженими фізичними, сенсорними чи розумовими здібностями або з недостатнім досвідом дозволяється лише під наглядом відповідальних за їх безпеку осіб або після отримання від них вказівок щодо користування приладом.
- Не зберігайте в морозильній камері пляшки та банки з рідиною (зокрема напої з вуглекислотою). Пляшки і банки можуть лопнути!
- Не кладіть до роту заморожені продукти безпосередньо після виймання із морозильної камери. Небезпека опіку від обмороження!
- Уникайте тривалого контакту рук із замороженими продуктами, льодом або трубами випарника тощо. Небезпека опіку від обмороження!

Діти в домашньому господарстві

- Не дозволяйте дітям гратися з упаковкою і її частинами. Складні картонні коробки та плівки можуть спричинити задушення!
- Прилад – не іграшка для дітей!
- Для приладу з замком для дверцят: Тримайте ключ подалі від дітей!

Загальні положення

Прилад придатний

- для охолодження та замороження продуктів харчування,
- для приготування льоду.

Цей прилад призначений для використання в приватному домашньому господарстві та в побутових умовах.

Прилад відповідає нормам електромагнітної сумісності згідно стандарту ЄС ГОСТ Р 51318.14.1-99, ГОСТ Р 51318.14.2-99, ГОСТ Р 51317.3.2-99, ГОСТ Р 51317.3.3-99.

Щільність системи холодильної циркуляції перевірена.

Цей виріб відповідає спеціальним вимогам з техніки безпеки для електроприладів ГОСТ Р МЭК 60335-2-24.

Рекомендації з утилізації

Утилізація упаковки

Упаковка захищає Ваш побутовий прилад від пошкоджень під час транспортування. Всі використані матеріали екологічно чисті і можуть використовуватися в якості вторинної сировини. Будь ласка, підтримайте нас: утилізуйте упаковку у відповідності із екологічними нормами.

За інформацією про актуальні шляхи утилізації звертайтеся, будь ласка, до спеціалізованих підприємств по переробці відходів.

Утилізація старого приладу

Старі прилади – це не просто відходи! Шляхом екологічної утилізації із них можна отримати знову цінну сировину.

Попередження

Для приладів, які вийшли із експлуатації

1. Витягніть штепсельну вилку.
2. Переріжте електропровід і викиньте його разом із штепсельною вилкою.
3. Не виймайте полицки і контейнери із приладу, щоб діти не могли забратися в нього!
4. Не дозволяйте дітям гратися з приладом, який вийшов із вжитку. Небезпека удусення!

Холодильники містять холодильні засоби і гази в ізоляції. Холодильні засоби та гази підлягають спеціалізованій утилізації. Слідкуйте за тим, щоб труби системи холодильної циркуляції не були пошкоджені до належної утилізації.

Комплект поставки

Переконайтеся у відсутності можливих пошкоджень при транспортуванні, звільнивши всі елементи від упаковки.

З рекамаціями звертайтеся до магазину, в якому Ви придбали прилад, або до нашої сервісної служби.

До комплекту поставки входять наступні елементи:

- Підлоговий прилад
- Мішок з монтажними матеріалами
- Устаткування (в залежності від моделі)
- Інструкція з експлуатації
- Інструкція з монтажу
- Книжна сервісної служби
- Гарантія в додатку
- Інформація про витрати електроенергії та шуми

Звертайте увагу на температуру в приміщенні та вентиляцію

Температура оточення

Прилад розроблений для певного кліматичного класу. В залежності від кліматичного класу прилад може експлуатуватися при наступних температурах оточення.

Кліматичний клас вказаний на таблиці з технічними даними, малюнок 14.

Кліматичний клас	допустима температура в приміщенні
SN	+10 °C до 32 °C
N	+16 °C до 32 °C
ST	+16 °C до 38 °C
T	+16 °C до 43 °C

Вказівка

Повна функціональність приладу забезпечена в межах температури приміщення зазначеного кліматичного класу. Якщо прилад кліматичного класу SN працює при нижчій температурі приміщення, то пошкодження приладу можна виключити до температури +5 °C.

Вентиляція

Малюнок 3

Повітря за спинкою приладу нагрівається. Для нагрітого повітря необхідно забезпечити безперешкодний відтік. В протилежному випадку холодильний агрегат мусить працювати на більшу потужність. Це підвищує витрату електроенергії. Тому, ні в якому разі не закривайте вентиляційних решіток та отворів приладу.

Підключення приладу

Після установки приладу слід зачекати принаймні 1 години до початку його експлуатації. Під час транспортування масло із компресору могло переміститися в систему охолодження.

Перед початком першої експлуатації прилад слід почистити всередині, дивіться «Чистка приладу».

Підключення до електромережі

Розетка повинна бути розташована поблизу приладу і в вільно доступному місці навіть після установки приладу.

Прилад відповідає класу захисту I.

Прилад підключається до мережі перемінного струму 220–240 В/50 Гц за допомогою встановленої належним чином розетки із заземлювачем.

Розетка повинна бути захищена запобіжником 10 А–16 А.

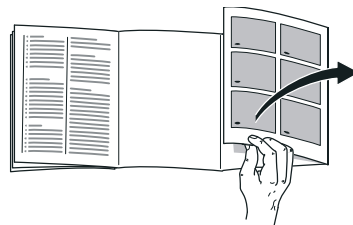
В разі експлуатації приладів в країнах поза межами Європи, слід переконатися в тому, що вказана напруга і вид струму відповідають значенням Вашої мережі електропостачання. Ці дані Ви знайдете на табличці з технічними характеристиками. Малюнок **14**

⚠ Попередження

Прилад неможна ні в якому разі підключати до електронних енергозберігаючих штекерів.

Для використання наших побутових приладів можна застосовувати мережеві і синусні інвертори. Ведучі мережею інвертори застосовуються в фотогальванічних енергетичних установках, які приєднуються безпосередньо до громадської мережі енергопостачання. В ізольованих умовах (напр., на кораблях або в гірських притулках) без безпосереднього приєднання до громадської електромережі необхідно застосовувати синусні інвертори.

Ознайомлення з приладом



Розгорніть, будь ласка, останні сторінки з малюнками. Ця інструкція з експлуатації дійсна для декількох моделей.

Моделі можуть мати відмінності в устаткуванні.

Розбіжності з зображеннями не виключаються.

Малюнок 1

* не в усіх моделях

- 1-9 Панель керування
- 10 Освітлення
- 11 Полички холодильної камери
- 12 Контейнер для яєць
- 13 Варіативна поличка
- 14 Висувний контейнер
- 15 Контейнер для овочів
- 16 Календар із зазначенням термінів зберігання продуктів
- 17 Бокс для заморожених продуктів
- 18 Гвинтові ніжки
- 19 Вентиляційний отвір
- 20 Контейнер для масла та сиру
- 21 Контейнер для яєць
- 22 Тримач для пляшок
- 23 Підставка для великих пляшок

- A Холодильна камера
- B Морозильна камера

Елементи управління

Малюнок 2

- 1 **Клавіша ввімкнення/вимкнення**
Служить для ввімкнення та вимкнення всього приладу.
- 2 **Кнопка «super» морозильної камери**
Служить для ввімкнення/вимкнення режиму «суперзаморожування».
- 3 **Кнопки установки температури морозильної камери**
За допомогою цих кнопок встановлюється температура морозильної камери.

- 4 **Показник температури морозильної камери**
Цифри відповідають установленим в морозильній камері температурам в °C.
- 5 **Клавіша сигналізації**
Служить для вимкнення сигнального гудка, дивіться розділ «Попереджувальна функція».
- 6 **Кнопка «holiday»**
Служить для вмикання і вимикання режиму відпустки, дивіться розділ «Режим відпустки».
- 7 **Кнопки установки температури холодильної камери**
За допомогою цих кнопок встановлюється температура холодильної камери.
- 8 **Показник температури холодильної камери**
Цифри відповідають установленим в холодильній камері температурам в °C.
- 9 **Кнопка «super» холодильної камери**
Служить для ввімкнення і вимкнення суперохолодження.

Ввімкнення приладу

Малюнок 2

1. Ввімкніть прилад за допомогою клавіші Ввімк./Вимк. 1.
Звучить попереджувальний сигнал, показник температури 4 блимає і кнопка «alarm» 5 світиться.
2. Натисніть на кнопку «alarm» 5, щоб вимкнути попереджувальний сигнал.
Прилад починає нагнітати холод.
Освітлення при відкритих дверцятах ввімкнене.

З боку заводу рекомендуються наступні температури:

- Холодильна камера: +4 °C
- Морозильна камера: -18 °C

Рекомендації з експлуатації

- Після ввімкнення можуть пройти декілька годин, поки температура досягне заданого рівня.
Не завантажуйте перед цим продуктів до приладу.
- Торцеві сторони корпусу частково злегка підігріваються, що запобігає утворенню конденсату в районі ущільнення дверцят.
- Якщо після закриття морозильної камери дверцята не відчиняються відразу, зачекайте деякий час, поки компенсується утворений всередині понижений тиск.

Установка температури

Малюнок 2

Холодильна камера

Температура регулюється в діапазоні від +3 °C до +8 °C.

Натискайте на кнопку установки температури 7 до тих пір, поки не установиться потрібна Вам температура в холодильній камері.

Зберігається остання задана температура. Індикація температури 8 показує встановлену температуру.

Режим відпустки

На період тривалої відсутності Ви можете переключити прилад в енергозощадливий відпустковий режим.

Температура холодильної камери автоматично вмикається на +14 °C.

Не залишайте продуктів протягом цього часу в холодильній камері.

Ввімкнення та вимкнення

Малюнок 2

Натисніть на кнопку «holiday» 6.

Після ввімкнення режиму відпустки світиться кнопка і показник температури холодильної камери 8 не показує ніякої температури.

Попереджувальна функція

Попереджувальна сигналізація може ввімкнутися в наступних випадках:

Сигналізація застереження про відкриті дверцята

Сигналізація застереження про відкриті дверцята (безперервний звуковий сигнал) вмикається, якщо дверцята приладу залишаються відкритими понад 1 хвилину. Попереджувальний сигнал вимкнеться знову, якщо закрити дверцята.

Сигналізація застереження про підвищення температури

Сигналізація застереження про підвищення температури вмикається, якщо в морозильній камері стає занадто тепло і заморожені продукти можуть розморозитися.

Після натискання кнопки «alarm» 5 показник температури 4 показує протягом п'яти секунд найвищу температуру, яка панувала в морозильній камері.

Потім ця величина зникає. Показник температури морозильної камери 4 показує установлену в морозильній камері температуру, не блимаючи.

Починаючи з цього моменту, найтепліша температура заново визначається та вводиться в пам'ять.

Попереджувальна сигналізація може ввімкнутися, навіть якщо замороженим продуктам не загрожує розморозення, в наступних випадках:

- на початку експлуатації приладу;
- у разі завантаження великої кількості свіжих продуктів;
- якщо дверцята морозильного відділення були занадто довго відкритими.

Вказівка

Повністю або частково розморожені продукти не заморожуйте знову. Заморожувати продукти знову можна лише після їх переробки до готових страв (у звареному або жареному вигляді).

Не слід вже зберігати продукти протягом максимального строку.

Вимкнення попереджувальної сигналізації

Малюнок 2

Попереджувальна сигналізація вимикається натисканням кнопки «alarm» 5.

Корисний об'єм

Дані про корисний об'єм свого побутового приладу Ви знайдете на заводській табличці з технічними параметрами. Малюнок 14

Повне використання потужності заморожування

Щоб завантажити максимальну кількість заморожених продуктів, можна вийняти всі елементи устаткування. Продукти можна потім складати прямо на полицках і внизу морозильної камери.

Як виймати елементи устаткування

Витягніть до упору бокс для заморожених продуктів, підніміть спереду і вийміть. Малюнок 4

Холодильна камера

Холодильна камера – ідеальне місце для зберігання готових страв, випічки, консервів, загущеного молока, твердого сиру, нестійких до холоду фруктів і овочів, а також південних фруктів.

При розміщенні продуктів зверніть увагу на наступне:

Продукти харчування класти найкраще в упакованому вигляді або щільно закритими. Це допоможе зберегти аромат, колір та свіжість. Крім того, це запобігає перейманню смакових властивостей одного продукту іншими та забарвленню пластмасових елементів.

Вказівка

Уникайте дотику продуктів до задньої стінки. Це зашкоджує вільній циркуляції повітря.

Продукти і упаковки можуть примерзнути до задньої стінки.

Звертайте увагу на зони охолодження у холодильній камері!

Внаслідок циркуляції повітря в холодильній камері утворюються зони із різними рівнями холоду:

- Зона найнижчої температури знаходиться між контейнером для овочів і розташованою над ним склянною полицкою. Малюнок 5

Вказівка

Зберігайте в зоні найнижчої температури над контейнером для овочів нетривкі продукти (напр., рибу, ковбасу, м'ясо).

- Зона найвищої температури знаходиться біля дверцят з самого верху.

Вказівка

Зберігайте в найтеплішій зоні, напр., сир та масло. При подачі на стіл сир зберігає свій аромат, масло залишається м'яким.

Суперохолодження

В режимі суперохолодження холодильна камера протягом 15 годин охолоджується до якомога холоднішої температури. Після цього камера перемикається автоматично на установлену перед суперохолодженням температуру.

Вмикайте суперохолодження, напр.:

- перед завантаженням великої кількості продуктів;
- для швидкого охолодження напоїв.

Вказівка

При ввімкненому суперохолодженні може посилитися експлуатаційний шум.

Ввімкнення та вимкнення

Малюнок **2**

Натисніть на кнопку «super» холодильної камери 9.

Кнопка світиться, якщо суперохолодження ввімкнуте.

Морозильна камера

Використання морозильної камери

- Для зберігання швидкозаморожених продуктів.
- Для приготування кубиків льоду.
- Для заморожування продуктів.

Вказівка

Пильнуйте, щоб дверцята морозильної камери завжди були зачиненими! При відкритих дверцятах заморожені продукти розморожуються і морозильна камера сильно покривається кригою. Це призводить зокрема до зайвого витрачання електроенергії!

Максимальна потужність заморожування

Дані про макс. потужність заморожування за 24 години Ви знайдете на таблиці з технічними даними. Малюнок **14**

Заморожування та зберігання продуктів

На що слід звернути увагу при купівлі швидкозаморожених продуктів

- Слідкуйте за тим, щоб упаковка не була пошкоджена.
- Зверніть увагу на термін зберігання.
- Температура в морозильній шафі в магазині повинна становити $-18\text{ }^{\circ}\text{C}$ або нижче.
- Швидкозаморожені продукти тримайте в холодильній сумці та якнайшвидше покладіть їх вдома до морозильної камери.

Заморожування продуктів харчування

Використовуйте для заморожування лише свіжі продукти харчування в бездоганному стані.

Заморожені продукти не повинні торкатися продуктів, які Ви щойно поклали для заморожування.

Упакуйте продукти щільно, щоб вони не втратили свого смаку та вологи.

Зберігання заморожених продуктів

Для забезпечення оптимальної циркуляції повітря в приладі важливо засунути бокс для заморожених продуктів до упору.

Якщо потрібно завантажити велику кількість продуктів, то їх можна скласти безпосередньо на скляних полицках і на дні морозильної камери. Для цього вийміть всі бокси для заморожених продуктів. Витягніть до упору бокс для заморожених продуктів, підніміть спереду і вийміть. Малюнок **4**

Замороження свіжих продуктів

Використовуйте для заморожування лише свіжі продукти харчування в бездоганному стані.

Щоб зберегти якомога краще харчову цінність, аромат і колір, овочі слід перед заморожуванням бланшувати. Бланшування непотрібне для баклажанів, солодкого стручкового перця, кабачків і спаржі.

Літературу про заморожування і бланшування Ви знайдете в книгарнях.

Вказівка

Заморожені продукти не повинні торкатися продуктів, які Ви щойно поклали для заморожування.

- Для заморожування придатні: випічка, риба і морепродукти, м'ясо, дичина, птиця, овочі, фрукти, зелень, яйця без шкарлупи, молочні продукти, напр., сир, масло і свіжий сир, готові страви і рештки страв, напр., супи, рагу, приготовлені м'ясо і риба, страви із картоплі, запіканки і солодкі страви.
- Для заморожування непридатні: споживані передусім у сирому вигляді овочі, напр., листові салати чи редиска, яйця в шкарлупі, виноград, цілі яблука, груші, персики, круто зварені яйця, йогурт, кисле молоко, сметана, крем-фреш і майонез.

Упакування заморожених продуктів

Упакуйте продукти щільно, щоб вони не втратили свого смаку та вологи.

1. Покладіть продукти в упаковку.
2. Витісніть повітря із упаковки.
3. Закрийте щільно упаковку.
4. Напишіть на упаковці зміст та дату заморожування.

Для упаковки придатні:

пластикові плівки, трубчата плівка із поліетилену, алюмінієва фольга, бокси для заморожування.

Цю продукцію Ви можете придбати в спеціалізованій торгівлі.

Для упаковки непридатні:

пакувальний папір, пергаментний папір, целофан, сміттєві мішки, використані пакети для покупок.

Для закриття упаковки придатні:

гумові кільця, пластмасові затискачі, нитки, стійкі до холоду клейкі стрічки та подібне.

Мішки й трубчатую плівку із поліетилену можна закривати за допомогою приладу для термосклеювання плівок.

sdnТермін зберігання заморожених продуктів

Залежить від виду продуктів.

При температурі $-18\text{ }^{\circ}\text{C}$:

- риба, ковбаса, готові страви, випечені вироби.
до 6 місяців
- сир, птиця, м'ясо.
до 8 місяців
- овочі, фрукти.
до 12 місяців

Суперзаморожування

Продукти повинні якомога швидше проморозитися до самої середини – тільки таким чином зберуться вітаміни, поживні речовини, вигляд та смак.

Щоб уникнути небажаного підвищення температури при завантаженні великої кількості свіжих продуктів, за кілька годин перед цим слід ввімкнути суперзаморожування. Взагалі достатньо 4–6 годин.

Для використання максимальної потужності заморожування, ввімкніть суперзаморожування за 24 години перед завантаженням свіжих продуктів.

Невелику кількість продуктів (до 2 кг) можна заморожувати без суперзаморожування.

Вказівка

Під час роботи суперзаморожування експлуатаційний шум може посилитися.

Ввімкнення та вимкнення

Малюнок **2**

Натисніть клавішу «super» 2.

Клавіша світиться після ввімкнення суперзаморожування.

Суперзаморожування вимикається автоматично приблизно через 2½ доби.

Розмороження заморожених продуктів

В залежності від виду та призначення, можна вибрати одну із наступних можливостей:

- при кімнатній температурі
- в холодильнику
- в електричній духовці з тепловою вентиляцією або без
- в мікрохвильовій печі.



Увага

Повністю або частково розморожені продукти не заморожуйте знову. Заморожувати продукти знову можна лише після їх переробки до готових страв (у звареному або жареному вигляді).

Заморожені продукти слід вжити до закінчення макс. строку зберігання.

Устаткування

* не в усіх моделях

Скляні полицки

Малюнок **6**

Ви можете переставляти полицки всередині за потребою: Для цього витягніть полицку до себе, підніміть трохи спереду і вийміть.

Дверна полицка

Малюнок **7**

Підніміть полицку злегка доверху і вийміть.

Варіативна полицка

Малюнок **8**

Полицку при необхідності можна опустити донизу: Потягніть полицку до себе, опустить донизу і натисніть назад.

Вона придатна для зберігання продуктів і пляшок.

Контейнер для овочів з регулятором вологості

Малюнок **9**

Для створення оптимальних умов зберігання овочів, салату і фруктів за допомогою регулятора вологості можна регулювати вологість повітря в контейнері для овочів в залежності від кількості завантажених продуктів.

Для невеликої кількості продуктів – регулятор пересунути праворуч.

Для великої кількості продуктів – регулятор пересунути ліворуч.

Тримач для пляшок

Малюнок **11/22**

Тримач для пляшок запобігає хитанню пляшок під час відчинення та зачинення дверцят.

Ванночку для льоду

Малюнок **10**

Покладіть ванночку для льоду, заповнену на $\frac{3}{4}$ водою, до морозильної камери.

Примерзлу ванночку відокремлювати лише за допомогою негострих предметів (ручка ложки).

Щоб вийняти заморожені кубики льоду із ванночки, опустить її на короткий час під проточну воду або злегка перегніть.

Календар із зазначенням термінів зберігання продуктів

Малюнок **11/16**

Для запобігання погіршення якості заморожених продуктів важливо ні в якому разі не перевищувати допустимого терміну зберігання. Термін зберігання залежить від виду замороженого продукту. Цифри поряд із символами показують допустимий строк зберігання заморожених продуктів у місяцях. Звертайте увагу на дату виготовлення та строк зберігання готових швидкозаморожених продуктів із магазинів.

Вимкнення та зупинка роботи приладу

Прилад вимкнути

Малюнок **2**

Натисніть клавішу ввімкнення/вимкнення 1.

Показник температури гасне і холодильний агрегат вимикається.

Зупинка роботи приладу

Якщо прилад не використовується протягом тривалого часу:

1. Вимкніть прилад.
2. Витягніть штепсельну вилку із розетки або вимкніть запобіжник.
3. Почистіть прилад.
4. Дверцята приладу залишіть відкритими.

Розморожування

Холодильне відділення розморожується повністю автоматично

Під час роботи холодильного агрегату на задній стінці холодильної камери утворюються водяні краплі або паморозь. Це обумовлено функціональними особливостями. Витирати водяні краплі або паморозь не потрібно. Задня стінка відтає автоматично. Тала вода стікає до стоку для талої води, малюнок 11. Із стоку тала вода потрапляє до холодильного агрегату, де вона випаровується.

Вказівка

Слідкуйте за тим, щоб стік для талої води та отвір стоку були завжди чистими, щоб тала вода могла вільно стікати.

Розморожування морозильної камери

Морозильна камера не розморожується автоматично, щоб уникнути розморожування заморожених продуктів. Нашарування інею в морозильній камері перешкоджають віддачі холоду замороженим продуктам і підвищують витрати електроенергії. Звільняйте відділення регулярно від нашарувань паморозі.

Увага

Не користуйтеся для усунування нашарувань інею чи льоду ножами та іншими гострими предметами. Ви можете пошкодити труби із холодильним засобом. Бризки холодильного засобу можуть зайнятися або призвести до пошкоджень очей.

Виконайте наступне:

1. Вийміть заморожені продукти та покладіть у холодне місце.
2. Вимкніть прилад.
3. Вийміть штепсельну вилку із розетки або вимкніть запобіжник.
4. Для прискорення процесу розморожування розмістіть в морозильній камері каструлю з гарячою водою на підставці. Малюнок 12
5. Зберіть талу воду ганчіркою або gumкою.
6. Витріть насухо морозильну камеру.
7. Включіть прилад знову.
8. Покладіть заморожені продукти назад.

Чистка приладу

Увага

- Не користуйтеся для чистки засобами, які містять пісок, хлорид, кислоту або розчинники.
- Не використовуйте абразивних і дряпаючих gumок. На металевих поверхнях може утворитися корозія.
- Полочки та бокси ні в якому разі не мити в посудомийній машині. Елементи можуть деформуватися!

Виконайте наступне:

1. Перед чисткою прилад слід вимкнути.
2. Витягніть штепсельну вилку із розетки або виключіть запобіжник.
3. Вийміть заморожені продукти та покладіть у холодне місце.
4. Чистіть прилад м'якою ганчіркою з теплою водою та невеликою кількістю миючого засобу з нейтральним рН. Миюча вода не повинна потрапляти до освітлення.
5. Ущільнення дверцят промивайте лише чистою водою і потім дбайливо витирайте насухо.
6. Обов'язково уникайте потрапляння миючої води через дренажний отвір до зони випаровування.
7. Після чистки: прилад підключити знову до мережі та ввімкнути.
8. Покладіть заморожені продукти назад.

Устаткування

Для миття всі пересувні елементи приладу виймаються.

Виймання скляних полицок

Малюнок **6**

Для цього витягніть полицку до себе, підніміть трохи спереду і вийміть.

Виймання висувного контейнеру

Малюнок **13**

Витягніть контейнер.

Виймання дверних полицок

Малюнок **7**

Підніміть полицки злегка доверху і вийміть.

Запахи

Якщо відчутні неприємні запахи:

1. Вимкніть прилад за допомогою кнопки ввімкнення/вимкнення. Малюнок **2/1**
2. Вийміть із приладу усі продукти.
3. Прочистіть всередині. Дивіться «Чистка приладу».
4. Почистіть всі упаковки.
5. Герметично запакуйте продукти із сильним запахом, щоб уникнути поширення цих запахів.
6. Включіть прилад знову.
7. Розмістіть продукти належним чином.
8. Перевірте через 24 години, чи не з'явилися знову неприємні запахи.

Світлодіодне освітлення

Ваш прилад устаткований світлодіодним освітленням, яке не потребує догляду.

Ремонт цього освітлення проводиться лише співробітниками служби сервісу або уповноваженими фахівцями.

Заощадження енергії

- Установіть прилад в сухому і добре провітрюваному приміщенні! Уникайте попадання на прилад прямих сонячних променів, не встановлюйте його поблизу джерел тепла (напр., радіаторів, кухонних плит).
Встановіть в разі необхідності ізоляційну плиту.
- Теплі страви та напої слід охолодити перед тим, як класти до холодильника!
- Покладіть заморожені продукти для розморожування до холодильної камери. Це дозволить Вам використовувати холод із заморожених продуктів для охолодження продуктів харчування в холодильній камері.
- Розморозуйте регулярно нашарування інею в морозильній камері!
Нашарування інею погіршують віддачу холоду замороженим продуктам і підвищує витрату електроенергії.
- За наявності:
Установіть дистанційний елемент для дотримання відстані від стіни, щоб забезпечити визначену витрату електроенергію приладу (дивіться інструкцію з монтажу). Недостатня відстань від стіни не обмежує функціональності приладу. Витрата електроенергії може в цьому випадку незначно змінитися. Ні в якому разі не перевищуйте відстані 75 мм.

- Намагайтеся якомога менше тримати дверцята відчиненими!
- Щоб уникнути підвищеного споживання електроенергії, спинку приладу слід час від часу чистити.

Шуми при експлуатації

Звичайні шуми

Гудіння

Працюють двигуни (напр., холодильні агрегати, вентилятор).

Булькання, дзижчання або клекотання

Холодагент тече по трубах.

Клацання

Вмикаються або вимикаються двигун, вимикач або магнітні клапани.

Як уникнути шумів

Прилад стоїть нерівно

Установіть прилад рівно за допомогою ватерпасу. Виставивши гвинтові ніжки відповідним чином або підкладіть щось під низ.

Прилад торкається інших предметів

Відсуньте прилад від встановлених поряд меблів чи приладів.

Бокси чи полицки хитаються або заклинили

Перевірте елементи, які виймаються, та вставте їх за потреби знову.

Пляшки та посудини торкаються один одного

Розставте пляшки та посуд трохи поодаль одна від одної.

Як усунути незначні неполадки самому

Перед викликом служби сервісу:

Перевірте, чи не зможете Ви самі усунути неполадки на основі наступних рекомендацій.

За консультацію служби сервісу Ви змушені будете заплатити – навіть під час гарантійного строку!


Неполадка	Можлива причина	Допомога
Температура сильно відрізняється від установки.		В деяких випадках достатньо вимкнути прилад на 5 хвилин. У разі завищеної температури перевірте відповідність температури через декілька годин. У разі заниженої температури перевірте температуру наступного дня ще раз.
Показник температури морозильної камери блимає, малюнок 2 /4.	Внаслідок збою в роботі в морозильній камері деякий час було занадто тепло.	Блимання показника температури припиняється після натискання кнопки «alarm» 5 . Малюнок 2 /4 Дисплей показника температури показує протягом 5 секунд найвищу температуру, яка панувала в морозильній камері.
Прилад не нагнітає холоду, індикація температури і освітлення світяться.	Ввімкнений демонстраційний режим.	Тримайте натиснутою кнопку «alarm» 2 /5 протягом 10 секунд, поки не зазвучить сигнал підтвердження. Перевірте через деякий час, чи нагнітає Ваш прилад холод.
Не світяться індикатори.	Перерва в подачі струму; вимкнувся запобіжник; штепсельна вилка не ввімкнута добре до розетки.	Приєднайте штепсельну вилку до мережі. Перевірити наявність струму та запобіжники.

Неполадка	Можлива причина	Допомога
Звучить попереджувальний сигнал, світиться кнопка «alarm». Малюнок 2/5		Щоб вимкнути попереджувальний гудок, натисніть клавішу аварійної сигналізації 5.
	Прилад відкритий.	Закрийте прилад.
В морозильному відділенні занадто тепло! Заморожені продукти можуть розморозитися!	Отвори для циркуляції повітря закриті.	Забезпечте циркуляцію повітря.
	До морозильної камери покладено одночасно занадто багато продуктів.	Не перевищуйте макс. потужності заморожування. Після усунення несправності індикація «alarm» гасне через деякий час.
Показник температури морозильної камери блимає, малюнок 2/4.		Щоб вимкнути попереджувальний гудок, натисніть клавішу аварійної сигналізації 5.
	Прилад відкритий.	Закрийте прилад.
Звучить попереджувальний сигнал. Світиться кнопка «alarm». Малюнок 2/5	Отвори для циркуляції повітря закриті.	Забезпечте циркуляцію повітря.
	До морозильної камери покладено одночасно занадто багато продуктів.	Не перевищуйте макс. потужності заморожування. Після усунення несправності індикація «alarm» гасне через деякий час.
В морозильному відділенні занадто тепло! Заморожені продукти можуть розморозитися!		

Самоперевірка приладу

Ваш прилад устатований програмою автоматичної самоперевірки для виявлення джерел несправностей, які можуть усуватися лише Вашою сервісною службою.

Запуск програми самоперевірки

1. Вимкніть прилад і зачекайте 5 хвилин.
2. Ввімкніть прилад і тримайте протягом перших 10 секунд кнопку «super», малюнок /2, натиснутою впродовж 3-5 секунд, поки не прозвучить акустичний сигнал.

Програма самоперевірки почалася.

Під час виконання програми самоперевірки звучить тривалий акустичний сигнал.

Акустичний сигнал, який звучить двічі після закінчення програми самоперевірки, свідчить про те, що Ваш прилад справний.

У разі наявності помилки в роботі приладу кнопка «super» блимає впродовж 10 секунд, і акустичний сигнал звучить 5 разів. Зверніться по допомогу до сервісної служби.


Припинення самоперевірки приладу

Після закінчення програми прилад переходить в звичайний режим роботи.

Служба сервісу

Найближчу службу сервісу Ви знайдете – телефонній книжці або у списку служб сервісу. Назвіть службу сервісу модель вироуду (E-Nr.) та дату випуску (FD) приладу.

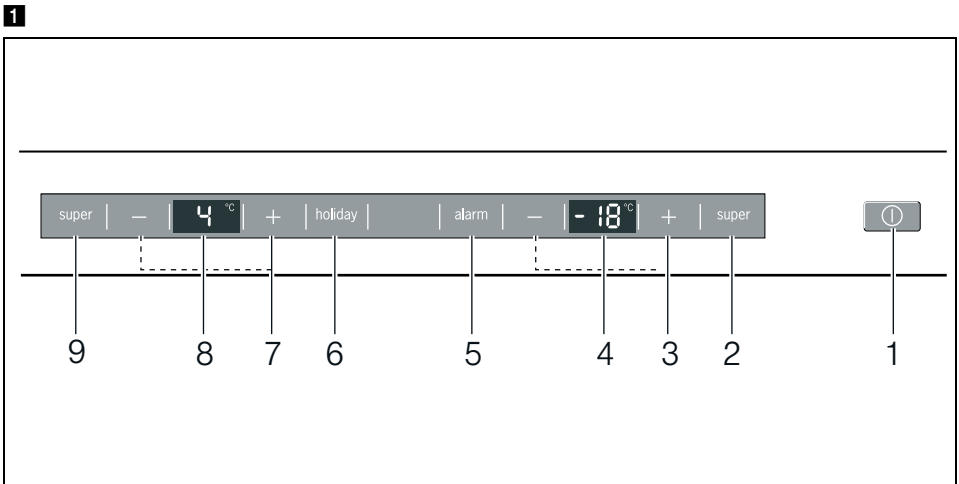
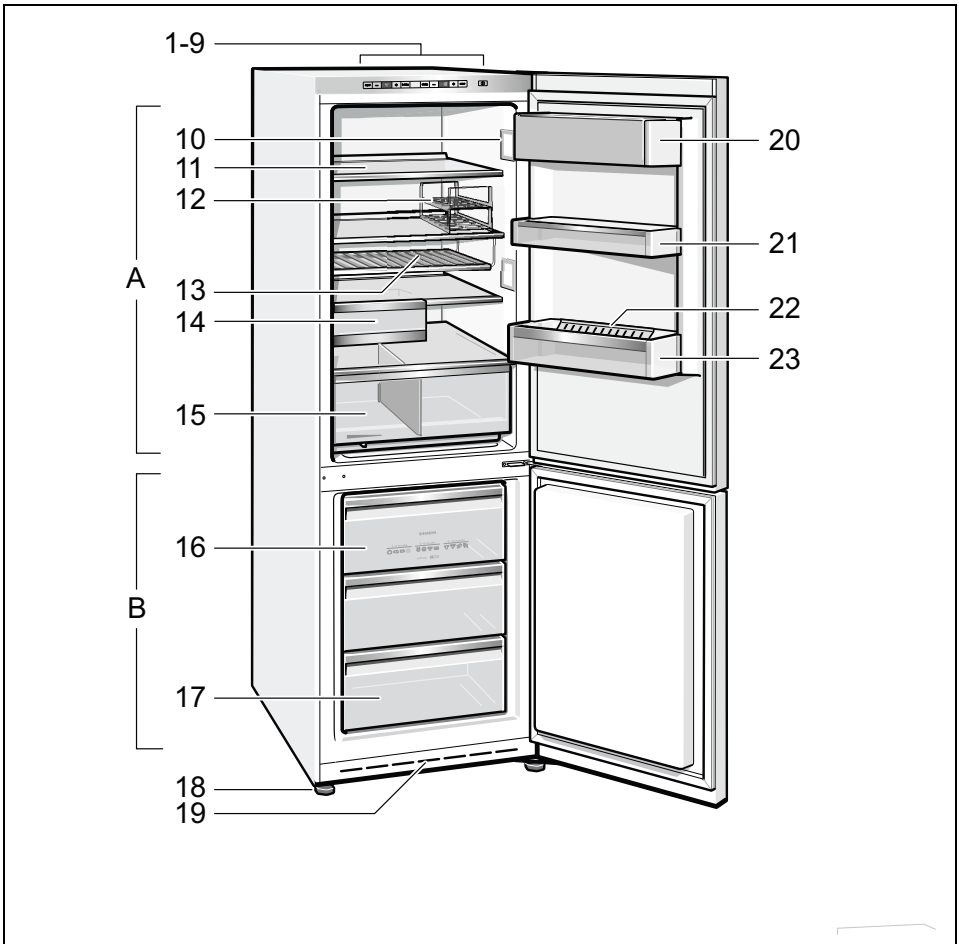
Ці дані Ви знайдете на таблиці з технічними характеристиками.

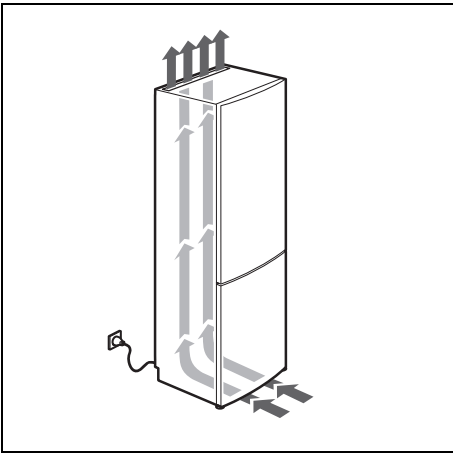
Малюнок  14

Назвавши модель та дату випуску, Ви зможете уникнути помилкового виклику співробітників служби сервісу. Так Ви заощадите кошти, пов'язані з помилковим викликом.

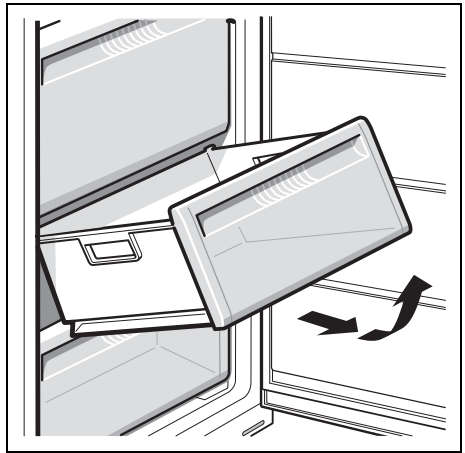
Заявка на ремонт та консультація при неполадках

Контактні дані всіх країн Ви знайдете в доданому списку сервісних центрів.

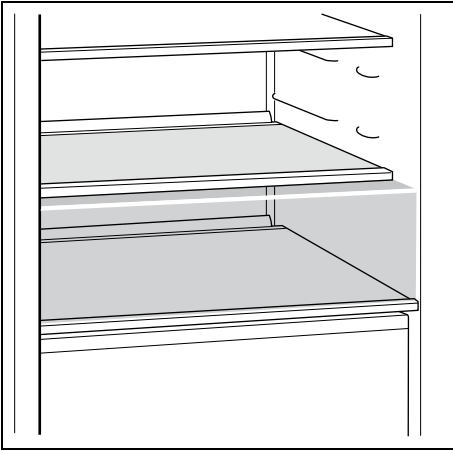




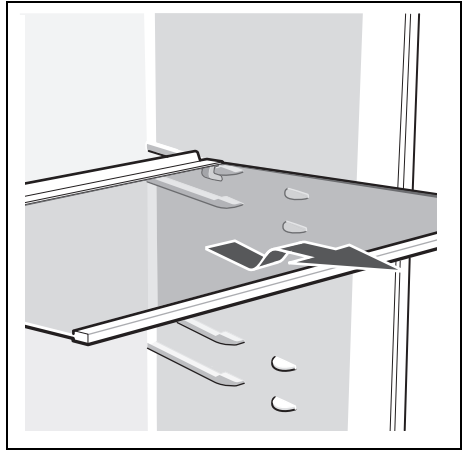
3



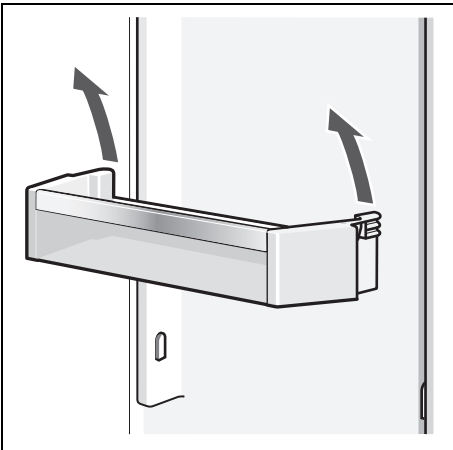
4



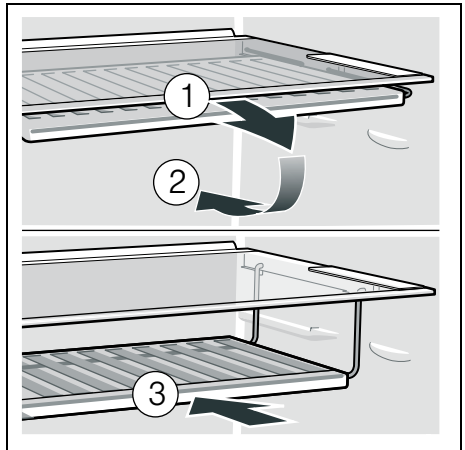
5



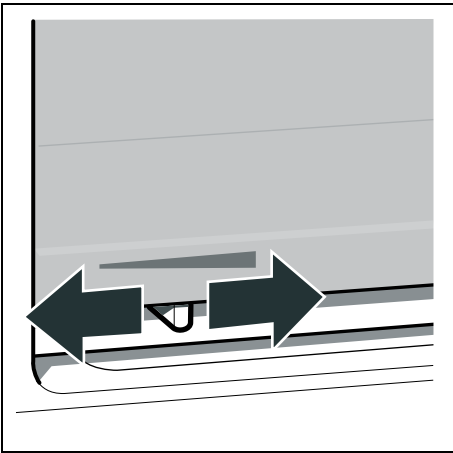
6



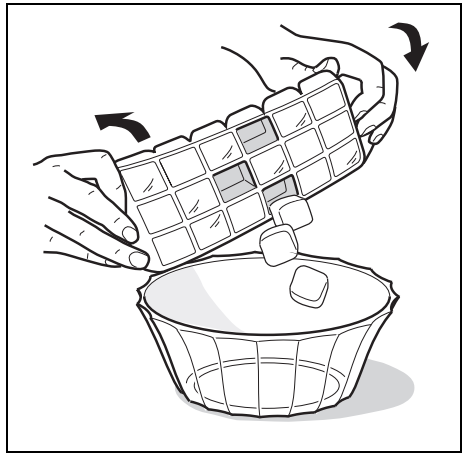
7



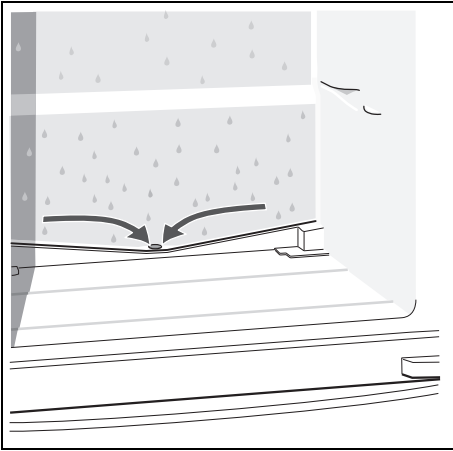
8



9



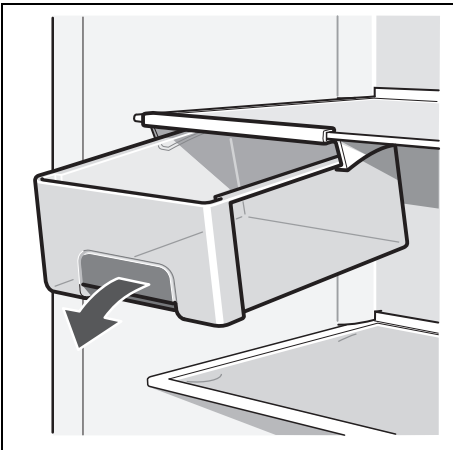
10



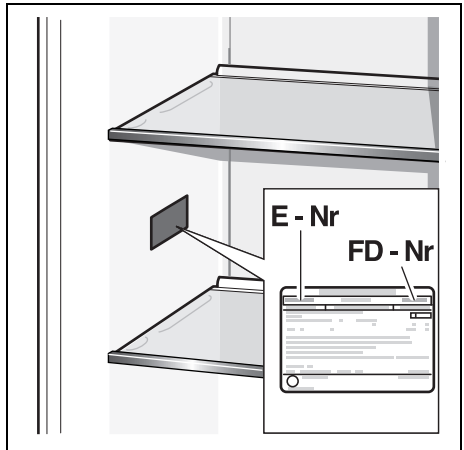
11



12



13



14

Siemens-Electrogeräte GmbH
Carl-Wery-Str. 34, 81739 München
Germany



9000730368 en, ru, uk (9201)