

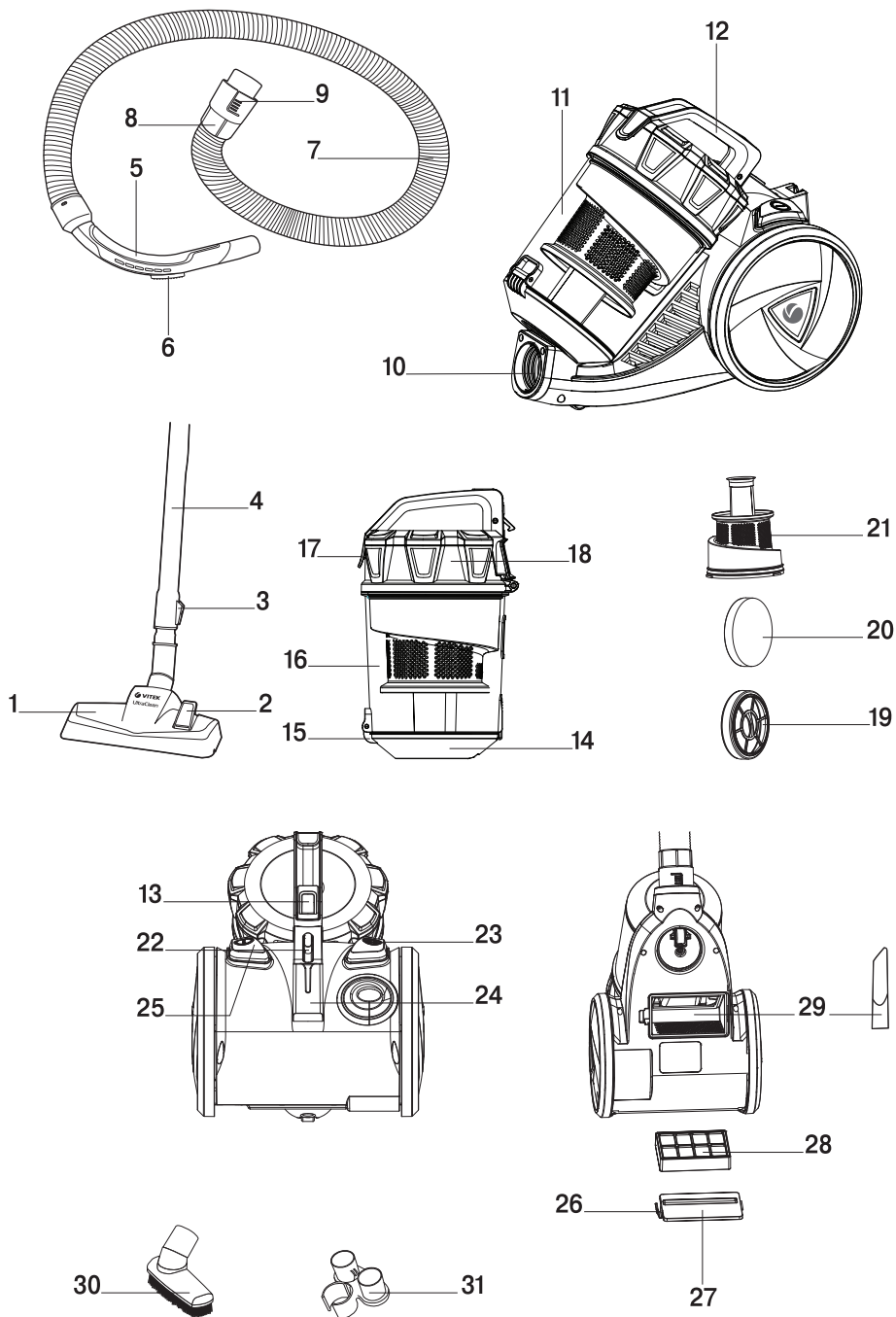
VT-8135

Vacuum cleaner

Пылесос

Инструкция по эксплуатации

GB Manual instruction	4
RUS Инструкция по эксплуатации	8
KZ Пайдалану нұсқасы	13
UA Інструкція з експлуатації	18
KG Пайдалануу боюнча нускама	23



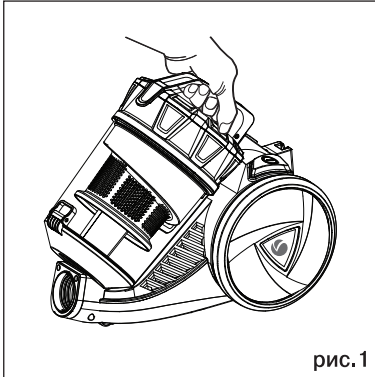


рис.1

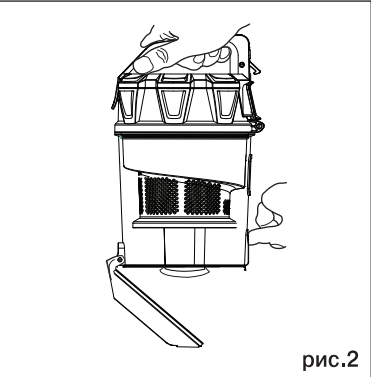


рис.2

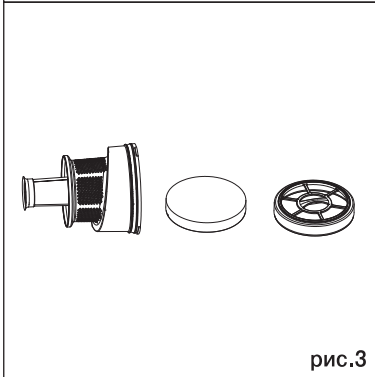


рис.3

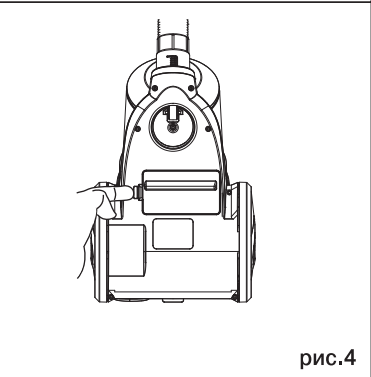


рис.4

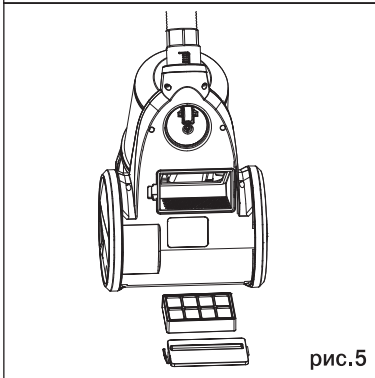


рис.5

ENGLISH

VACUUM CLEANER VT-8135

The vacuum cleaner is intended for room dry cleaning.

DESCRIPTION

1. UltraClean brush
2. «FLOOR/CARPET» switch
3. Telescopic pipe lock
4. Telescopic extension pipe
5. Flexible hose handle
6. Manual suction power control
7. Flexible hose
8. Flexible hose ending
9. Flexible hose ending locks
10. Air inlet
11. Dust bin
12. Carrying handle
13. Dust bin lid release button
14. Dust bin lid
15. Dust bin lid lock
16. Dust bin flask
17. Filter block lid lock
18. Filter block lid
19. Filter block
20. Microfoam filter
21. Separator
22. Suction power control
23. Power cord winding button
24. Brush storage
25. Vacuum cleaner on/off button
26. Outlet filter lid lock
27. Outlet filter lid
28. Outlet HEPA filter
29. Crevice nozzle
30. Furniture/furniture upholstery brush
31. Attachment holder

ATTENTION!

For additional protection you can install a residual current device with nominal operation current not exceeding 30 mA into the mains; contact a specialist for installation.

SAFETY MEASURES

Read this instruction manual carefully before using the unit and keep it for the whole operation period.

Use the unit for its intended purpose only, as specified in this manual. Mishandling of the unit may lead to its breakage and cause harm to the user or damage to his/her property.

To avoid the risk of fire, electric shock and to prevent injury, observe the following safety measures.

- Before connecting the unit to the mains, make sure that the voltage specified on the unit corresponds to your home mains voltage.
- To avoid fire, do not use adapters for connecting the unit to the mains.
- Do not leave the plugged in vacuum cleaner unattended. Always unplug the vacuum cleaner from the mains if it is not being used, before changing attachments or before unit maintenance.
- To prevent the risk of electric shock, do not use the vacuum cleaner outdoors, do not use it for collecting water or any other liquids (do not use the vacuum cleaner on wet surfaces).
- Carry the vacuum cleaner holding it by the carrying handle only.
- Do not use the power cord for carrying the vacuum cleaner, do not close the door if the power cord runs through the doorway, do not let the power cord come in contact with sharp corners or edges of furniture, and with hot surfaces. Do not run over the power cord with the vacuum cleaner while room cleaning as this can damage it.
- Always first switch the vacuum cleaner off with the ON/OFF button and only after that take the power plug out of the mains socket.
- When unplugging the unit, pull the plug but not cord.
- Do not touch the plug or the body of the vacuum cleaner with wet hands.
- Hold the winding cord with hand to avoid the plug hitting against the floor.
- Do not cover the unit outlet with any objects.
- Do not switch the unit on if any of its openings are blocked.
- Keep hair, free hanging clothes, fingers and other parts of your body away from the vacuum cleaner air inlets.
- Be especially cautious while cleaning the stair landings.
- Do not use the vacuum cleaner for collecting such highly inflammable liquids as gasoline and solvents, do not use the vacuum cleaner in places where such liquids are stored.
- Do not use the vacuum cleaner for collecting water and other liquids, burning or smoking cigarettes, matches, cinders as well as fine dust, for example, of plaster, concrete, flour or ashes.
- Do not use the vacuum cleaner if:
 - the dustbag is not installed or installed improperly;
 - the inlet and outlet filters are not installed.
- Do not immerse the unit body into water or other liquids.

- Use only the accessories and attachments supplied.
- Clean the vacuum cleaner regularly.
- Keep the vacuum cleaner in a dry cool place.
- Do not use the vacuum cleaner to clean pets.
- Close supervision is necessary when children or disabled persons are near the operating unit.
- This unit is not intended for usage by children. During the unit operation and breaks between operation cycles, place the unit out of reach of children.
- The unit is not intended for usage by physically or mentally disabled persons (including children) or by persons lacking experience or knowledge if they are not under supervision of a person who is responsible for their safety or if they are not instructed by this person on the usage of the unit.
- Do not leave children unattended to prevent using the unit as a toy.
- For children safety reasons do not leave polyethylene bags, used as packaging, unattended.

Attention! Do not allow children to play with polyethylene bags or packaging film. **Danger of suffocation!**

- Regularly check the power plug and power cord integrity for damages.
- Do not use the unit if the power plug or the power cord is damaged.
- If the power cord is damaged, it should be replaced by the manufacturer, a maintenance service or similar qualified personnel to avoid danger.
- Do not attempt to repair the unit. Do not disassemble the unit by yourself, if any malfunction is detected or after it was dropped, unplug the unit and apply to any authorized service center from the contact address list given in the warranty certificate and on the website www.vitek.ru.
- Transport the unit in the original package only.
- Keep the unit out of reach of children and disabled persons.

THE UNIT IS INTENDED FOR HOUSEHOLD USE ONLY, ITS COMMERCIAL USAGE AND USAGE IN PRODUCTION AREAS AND WORK SPACES IS PROHIBITED.

BEFORE THE FIRST USE

After the unit transportation or storage at low temperature keep it for at least three hours at room temperature before switching on.

- Unpack the unit completely and remove any promo-stickers that can prevent the unit operation.
- Check the unit for damages; do not use a damaged unit.
- Before switching the unit on, make sure that your home mains voltage corresponds to the unit operating voltage.

ASSEMBLING THE VACUUM CLEANER

Attaching and removing the flexible hose

- Insert the flexible hose ending (8) into the air inlet (10) until the locks (9) click.
- To remove the flexible hose (7), press the locks (9) and detach the ending (8) from the air inlet (10).

Attaching the telescopic pipe and the attachments

- Attach the telescopic extension pipe (4) to the handle of the flexible hose (5).
- Extend the lower part of the telescopic pipe to the required length, having preliminary pressed the lock (3).
- Choose the necessary attachment – floor/carpet brush (1), crevice nozzle (29) or furniture/furniture upholstery brush (30) – and attach it to the telescopic extension pipe (4).
- If necessary, you can attach the attachments (29, 30) directly to the flexible hose handle (5).

USING THE BRUSH ATTACHMENTS

Floor/carpet brush (1)

Set the switch (2) on the brush (1) to the required position «FLOOR/CARPET» (depending on the type of the surface being cleaned).

Crevice nozzle (29)

The crevice nozzle is intended for cleaning radiators, chinks, corners or spaces between cushions.

Furniture/furniture upholstery brush (30)

The attachment (30) is intended for cleaning fabric surfaces of upholstered furniture and for collecting dust from furniture surface, the pile on the brush (30) prevents damage of polished furniture surface. During operation install the brush on the attachment (30).

Attachment holder (31)

For easy storing of attachments (29, 30) there is an attachment holder (31) included. Install the holder (31) on the telescopic pipe (4) and install the attachments (29, 30) into it.

ENGLISH

Dust bin (11)

The dust bin (11) is equipped with the cyclonic filter which eliminates garbage and dust from the air, and the filter block (19) retains the finest dust particles.

Note: - provide that the filter block (19) is always clean, because the overall performance of the vacuum cleaner depends on it.

USING THE VACUUM CLEANER

Safety measures

- Do not use the vacuum cleaner near very hot surfaces, such as ashtrays and in places where inflammable liquids are stored.
- Take sharp objects away from the floor before cleaning to prevent the unit damage.
- If the suction power of the vacuum cleaner decreases rapidly while cleaning, switch it off immediately and check the telescopic pipe (4) or the hose (7) for obstruction. Switch the vacuum cleaner off, then unplug it, remove the obstruction and only after that you can continue cleaning.

OPERATION

Caution! You may switch the vacuum cleaner on only with the dust bin (11), with the filter block (19) and the outlet HEPA filter (28) installed in the dust bin. Before switching the vacuum cleaner on always make sure that the filters (19, 28) are installed properly.

- Before using the unit, unwind the power cord to the required length and insert the power plug into the mains socket.
- The yellow mark on the power cord indicates the maximum cord length. Do not unwind the power cord further than the red mark.
- Press the on/off button (25) to switch the vacuum cleaner on.
- During the operation you can control the suction power using the suction power control (22) or the manual suction power control (6) on the flexible hose handle (5).
- After room cleaning switch the vacuum cleaner off by pressing the on/off button (25) and unplug the unit.
- To wind the power cord, press the button (23), hold the winding cord with your hand to avoid its whipping and damage.
- During the breaks you can place the brush (1) in the brush storage (24).

Note: - before replacing the brush (1), setting the attachments (29, 30) or cleaning the dust bin (11) switch the vacuum cleaner off and take the power plug out of the mains socket.

CLEANING AND MAINTENANCE

Cleaning the dust bin (11)

Remove garbage and dust from the dust bin (11) after every room cleaning.

- Switch the vacuum cleaner off and unplug it.
- Holding the handle (12), press the lock (13) and remove the dust bin (11) (pic. 1).
- Place the dust bin (11) over a garbage bin.
- Press on the lock (15) to release the lid (14) (pic. 2).
- Remove accumulated dust and garbage from dust bin (11).
- Close the lid (14).
- Install the dust bin (11) back to its place.

Cleaning the separator (21) and the filter block (19) installed in the dust bin (11)

- Preliminarily remove dust and garbage from the dust bin (11) as described above.
- Pull the lock (17) and open the lid (18).
- Remove the filter block (16), take the microfoam filter (20) out of the filter block (19) (pic. 3).
- Close the lid (18), take the handle (12), turn it counterclockwise and remove the lid (18).
- Remove the separator (21) from the flask (16) (pic. 3) and wash it under warm water jet.
- Clean the filter block (16) and the microfoam filter (20) from dust and garbage and wash them under warm water jet.
- Do not wash filters in a dishwashing machine.
- Dry the filter block (16) and the microfoam filter (20) thoroughly.
- Do not dry filters with a hairdryer.
- Wash the dust bin flask (16), wipe it and dry.
- Install the separator (21) back to its place by matching the ledges on the separator (21) with the grooves on the flask (16).
- Install the lid (18) back to its place by matching the outlet on the lid (18) with the mark «↑» on the flask (16), turn the lid (18) clockwise until bumping.
- Open the lid (18) and install the microfoam filter (20) into the filter block (19), install the filter block (19) back to its place.
- Close the lid (18) until the lock (17) clicking.
- Install the assembled dust bin (11) back to its place and make sure that the dust bin (11) is fixed properly.

Caution!

Before installing the dust bin (11) make sure that the filter block (19) and the microfoam filter (20) are dry and there is no moisture inside the dust bin (11).

Cleaning the outlet HEPA filter (27)

- Switch the vacuum cleaner off and unplug it.
- Remove the outlet filter lid (27) by pressing the lock (2) (pic. 4), remove the HEPA filter (28) (pic. 5).
- Wash the HEPA filter (28) under slightly warm water jet. Do not wash the filter in a dishwashing machine.
- Dry the HEPA filter (28). Do not dry the HEPA filter (28) with a hairdryer.
- Install the HEPA filter (28) back to its place.
- Install the outlet filter lid (27) back to its place.

Notes:

- Before installing the HEPA filter (28) make sure that it is dry.
- Do not dry the HEPA filter (28) with a hairdryer.

Vacuum cleaner body

- Wipe the vacuum cleaner body with a soft, slightly damp cloth and then wipe it dry.
- Do not immerse the body of the vacuum cleaner, the power cord and the power plug into water or any other liquids. Provide that no liquid gets inside the vacuum cleaner body.
- Do not use solvents and abrasives to clean the surface of the vacuum cleaner.

STORAGE

- Before taking the vacuum cleaner away for long term storage, clean the vacuum cleaner body, the dust bin (11) and the filter block (19), the foam filter (20) and the separator (21).
- For easy storing use the horizontal brush storage (24).
- Keep the vacuum cleaner in a dry cool place out of reach of children and disabled persons.

DELIVERY SET

Vacuum cleaner with the dust bin and filters installed – 1 pc.
 Flexible hose – 1 pc.
 Telescopic extension pipe – 1 pc.
 UltraClean brush with «FLOOR/CARPET» switch – 1 pc.
 Crevice nozzle – 1 pc.
 Furniture/furniture upholstery brush attachment – 1 pc.
 Attachment holder – 1 pc.
 Manual – 1 pc.

TECHNICAL SPECIFICATIONS

Power supply: 220-240 V ~ 50 Hz
 Rated input power: 1600 W
 Max. power: 2200 W
 Suction power: 400 W

RECYCLING



For environment protection do not throw out the unit and the batteries (if included), do not discard the unit and the batteries with usual household waste after the service life expiration; apply to specialized centers for further recycling.

The waste generated during the disposal of the unit is subject to mandatory collection and consequent disposal in the prescribed manner.

For further information about recycling of this product apply to a local municipal administration, a disposal service or to the shop where you purchased this product.

The manufacturer preserves the right to change design, structure and specifications not affecting general principles of the unit operation without a preliminary notification due to which insignificant differences between the manual and product may be observed. If the user reveals such differences, please report them via e-mail info@vitek.ru for receipt of an updated manual.

Unit operating life is 3 years

Guarantee

Details regarding guarantee conditions can be obtained from the dealer from whom the appliance was purchased. The bill of sale or receipt must be produced when making any claim under the terms of this guarantee.



This product conforms to the EMC Directive 2014/30/EU and to the Low Voltage Directive 2014/35/EU.

РУССКИЙ

ПЫЛЕСОС VT-8135

Пылесос предназначен для сухой уборки помещений.

ОПИСАНИЕ

1. Щётка UltraClean
2. Переключатель «ПОЛ/КОВЕР»
3. Фиксатор телескопической трубки
4. Телескопическая удлинительная трубка
5. Ручка гибкого шланга
6. Ручной регулятор мощности всасывания
7. Гибкий шланг
8. Наконечник гибкого шланга
9. Фиксаторы наконечника гибкого шланга
10. Воздухозаборное отверстие
11. Контейнер-пылесборник
12. Ручка для переноски
13. Клавиша фиксатора крышки контейнера-пылесборника
14. Крышка контейнера-пылесборника
15. Фиксатор крышки контейнера-пылесборника
16. Колба контейнера-пылесборника
17. Фиксатор крышки блока фильтров
18. Крышка блока фильтров
19. Блок фильтров
20. Микропоролоновый фильтр
21. Сепаратор
22. Регулятор мощности всасывания
23. Клавиша сматывания сетевого шнура
24. Место «парковки» щётки
25. Клавиша включения/выключения пылесоса
26. Фиксатор крышки выходного фильтра
27. Крышка выходного фильтра
28. Выходной HEPA-фильтр
29. Щелевая насадка
30. Щётка для чистки мебели/мебельной обивки
31. Держатель насадок

ВНИМАНИЕ!

Для дополнительной защиты в цепь питания целесообразно установить устройство защитного отключения (УЗО) с номинальным током срабатывания, не превышающим 30 мА; при установке следует обратиться к специалисту.

МЕРЫ БЕЗОПАСНОСТИ

Перед использованием устройства внимательно прочитайте настоящее руководство по эксплуатации и сохраняйте его в течение всего срока эксплуатации.

Используйте устройство только по его прямому назначению, как изложено в данном руководстве.

Неправильное обращение с устройством может привести к его поломке, причинению вреда пользователю или его имуществу.

Для снижения риска возникновения пожара, для защиты от поражения электрическим током и защиты от травм следуйте приведённым ниже рекомендациям.

- Прежде чем подключить устройство к электросети, убедитесь в том, что напряжение, указанное на устройстве, соответствует напряжению электросети в вашем доме.
- Во избежание риска возникновения пожара не используйте переходники при подключении устройства к электрической розетке.
- Не оставляйте пылесос без присмотра, когда он включён в сетевую розетку. Обязательно вынимайте вилку сетевого шнура из электрической розетки, если не пользуетесь пылесосом, при смене насадок, а также перед обслуживанием устройства.
- Для снижения риска удара электрическим током не используйте пылесос вне помещений, запрещается использовать пылесос для сбора воды или любой другой жидкости (не используйте пылесос на влажных поверхностях).
- Переносить пылесос можно, только взявшись за ручку для переноски.
- Не используйте сетевой шнур для переноски пылесоса, не закрывайте дверь, если сетевой шнур проходит через дверной проём, избегайте контакта сетевого шнура с острыми краями или углами мебели, а также с нагретыми поверхностями. Во время уборки помещения запрещается переезжать пылесосом через сетевой шнур – вы можете его повредить.
- Сначала обязательно отключайте пылесос кнопкой включения/выключения, и только после этого можно вынимать вилку сетевого шнура из электрической розетки.
- Отключая устройство от электрической сети, не тяните за сетевой шнур, а беритесь за вилку сетевого шнура.
- Не прикасайтесь к сетевой вилке или к корпусу пылесоса мокрыми руками.
- Во время сматывания сетевого шнура придерживайте шнур рукой, не допускайте, чтобы сетевая вилка ударялась о поверхность пола.
- Запрещается закрывать выходное отверстие устройства какими-либо предметами.
- Запрещается включать устройство, если какое-либо из его отверстий заблокировано.

- Следите за тем, чтобы волосы, свободно висящие элементы одежды, пальцы или другие части тела не находились рядом с воздухозаборными отверстиями пылесоса.
- Будьте особенно внимательны при уборке лестничных площадок.
- Запрещается использовать пылесос для сбора растворителей и легковоспламеняющихся жидкостей, таких как бензин; запрещается использовать пылесос в местах хранения таких жидкостей.
- Запрещается с помощью пылесоса собирать воду или любые другие жидкости, горящие или дымящиеся сигареты, спички, тлеющий пепел, а также тонкодисперсную пыль, например, от штукатурки, бетона, муки или золы.
- Запрещается использовать пылесос, если:
 - не установлен или неправильно установлен пылесборник;
 - не установлены входной и выходной фильтры.
- Не погружайте корпус пылесоса в воду или в любые другие жидкости.
- Используйте только те аксессуары и насадки, которые входят в комплект поставки.
- Проводите регулярную чистку пылесоса.
- Храните пылесос в сухом прохладном месте.
- Не используйте пылесос для чистки домашних животных.
- Будьте особенно внимательны, если поблизости от работающего устройства находятся дети или лица с ограниченными возможностями.
- Данное устройство не предназначено для использования детьми. Во время работы и в перерывах между рабочими циклами размещайте устройство в местах, недоступных для детей.
- Прибор не предназначен для использования лицами (включая детей) с пониженными физическими, психическими или умственными способностями или при отсутствии у них опыта или знаний, если они не находятся под контролем или не проинструктированы об использовании прибора лицом, ответственным за их безопасность.
- Осуществляйте надзор за детьми, чтобы не допустить использования устройства в качестве игрушки.

- Из соображений безопасности детей не оставляйте полиэтиленовые пакеты, используемые в качестве упаковки, без присмотра.

Внимание! Не разрешайте детям играть с полиэтиленовыми пакетами или упаковочной плёнкой. **Опасность удушья!**

- Регулярно проверяйте состояние вилки сетевого шнура и сам сетевой шнур на отсутствие повреждений.
- Запрещается использовать устройство при наличии повреждений сетевой вилки или шнура питания.
- При повреждении шнура питания его замену во избежание опасности должны производить изготовитель, сервисная служба или подобный квалифицированный персонал.
- Запрещается самостоятельно ремонтировать прибор. Не разбирайте прибор самостоятельно, при возникновении любых неисправностей, а также после падения устройства выключите прибор из электрической розетки и обратитесь в любой авторизованный (уполномоченный) сервисный центр по контактному адресу, указанному в гарантийном талоне и на сайте www.vitek.ru.
- Перевозите устройство только в заводской упаковке.
- Храните устройство в местах, недоступных для детей и людей с ограниченными возможностями.

УСТРОЙСТВО ПРЕДНАЗНАЧЕНО ТОЛЬКО ДЛЯ БЫТОВОГО ИСПОЛЬЗОВАНИЯ В ЖИЛЫХ ПОМЕЩЕНИЯХ, ЗАПРЕЩАЕТСЯ КОММЕРЧЕСКОЕ ИСПОЛЬЗОВАНИЕ И ИСПОЛЬЗОВАНИЕ УСТРОЙСТВА В ПРОИЗВОДСТВЕННЫХ ЗОНАХ И РАБОЧИХ ПОМЕЩЕНИЯХ.

ПЕРЕД ПЕРВЫМ ИСПОЛЬЗОВАНИЕМ

После транспортировки или хранения устройства при пониженной температуре необходимо выдержать его при комнатной температуре не менее трёх часов.

- Полностью распакуйте устройство и удалите любые рекламные наклейки, мешающие работе устройства.
- Проверьте целостность устройства, при наличии повреждений не пользуйтесь устройством.
- Перед включением убедитесь в том, что напряжение электрической сети соответствует рабочему напряжению устройства.

СБОРКА ПЫЛЕСОСА

Подсоединение и снятие гибкого шланга

- Вставьте наконечник гибкого шланга (8) в воздухозаборное отверстие (10) до щелчка фиксаторов (9).
- Для снятия гибкого шланга (7) нажмите на фиксаторы (9) и выньте наконечник (8) из воздухозаборного отверстия (10).

Подсоединение телескопической трубки и насадок

- Подсоедините телескопическую удлинительную трубку (4) к ручке гибкого шланга (5).
- Выдвиньте нижнюю часть телескопической трубки на необходимую длину, предварительно нажав на фиксатор (3).
- Выберите необходимую насадку – щётку для пола/ковровых покрытий (1), щелевую насадку (29) или насадку для чистки мебели/мебельной обивки (30) – и подсоедините её к телескопической удлинительной трубке (4).
- При необходимости можно присоединять насадки (29, 30) непосредственно к ручке гибкого шланга (5).

ИСПОЛЬЗОВАНИЕ ЩЁТОК-НАСАДОК

Щётка для пола/ковровых покрытий (1)

Установите переключатель (2) на щётке (1) в необходимое положение «ПОЛ/КОВЁР» (в зависимости от типа поверхности, на которой производится уборка).

Щелевая насадка (29)

Щелевая насадка предназначена для чистки радиаторов, щелей, углов или пространства между подушками диванов.

Щётка для чистки мебели/мебельной обивки (30)

Насадка (30) предназначена для чистки тканевых поверхностей мягкой мебели, и для сбора пыли с поверхности мебели, при этом наличие ворса на щётке (30) препятствует повреждению полированной поверхности мебели. Во время работы установите щётку на насадку (30).

Держатель насадок (31)

Для удобства хранения насадок (29, 30), в комплекте предусмотрен держатель насадок (31). Установите держатель (31) на телескопическую трубку (4) и установите в него насадки (29, 30).

Контейнер-пылесборник (11)

Контейнер-пылесборник (11) оснащён циклоническим фильтром, который отсеивает мусор и пыль из входящего воздуха, а блок фильтров (19) окончательно задерживает самые мелкие частицы пыли.

Примечание: - всегда следите за чистотой блока фильтров (19), поскольку от этого зависит эффективность работы пылесоса.

ИСПОЛЬЗОВАНИЕ ПЫЛЕСОСА

Меры предосторожности

- Не производите уборку пылесосом в непосредственной близости от сильно нагретых поверхностей, например, рядом с пепельницами, а также в местах хранения легковоспламеняющихся жидкостей.
- Перед началом уборки уберите с пола острые предметы, чтобы не допустить повреждения устройства.
- Если во время уборки резко снизилась всасывающая мощность пылесоса, немедленно выключите его и проверьте телескопическую трубку (4) или шланг (7) на предмет засорения. Выключите пылесос, затем отключите его от электрической сети, устранив засор, и только после этого можно продолжать уборку.

ЭКСПЛУАТАЦИЯ

Внимание! Включать пылесос можно только с установленным контейнером-пылесборником (11) и установленным в нём блоком фильтров (19), а также с установленным выходным (28) HEPA-фильтром. Перед включением пылесоса обязательно проверьте наличие и правильность установки фильтров (19, 28).

- Перед началом работы вытяните сетевой шнур на необходимую длину и вставьте вилку сетевого шнура в электрическую розетку.
- Жёлтая отметка на сетевом шнуре предупреждает о максимальной длине сетевого шнура. Запрещается вытягивать сетевой шнур дальше красной отметки.
- Для включения пылесоса нажмите на клавишу включения/выключения (25).
- Во время работы вы можете регулировать мощность всасывания с помощью регулятора мощности всасывания (22), или ручного регулятора мощности всасывания (6), расположенного на ручке гибкого шланга (5).

- По окончании уборки в помещении нажмите на клавишу включения/выключения (25) и извлеките вилку сетевого шнура из электрической розетки.
- Для сматывания сетевого шнура нажмите на клавишу (23), придерживайте рукой сматывающийся шнур во избежание его захлёстывания и повреждения.
- В перерывах между уборкой можно устанавливать щётку (1) в место для «парковки» (24).

Примечание: - перед заменой щётки (1), установкой насадок (29, 30) или перед чисткой контейнера-пылесборника (11) отключите пылесос и извлеките вилку сетевого шнура из электрической розетки.

ЧИСТКА И УХОД

Чистка контейнера-пылесборника (11)

Производите удаление мусора и пыли из контейнера-пылесборника (11) после каждой уборки помещения.

- Выключите пылесос и отключите его от сети.
- Возьмитесь за ручку (12), нажмите на фиксатор (13) и снимите контейнер-пылесборник (11) (рис. 1).
- Расположите контейнер-пылесборник (11) над мусорным ведром.
- Нажмите на фиксатор (15) для освобождения крышки (14) (рис. 2).
- Удалите пыль и мусор из контейнера (11).
- Закройте крышку (14).
- Установите контейнер (11) на место.

Чистка сепаратора (21)

и блока фильтров (19), установленного в контейнере-пылесборнике (11)

- Предварительно очистите контейнер (11) от мусора и пыли, как описано выше.
- Потяните за фиксатор (17) и откройте крышку (18).
- Выньте блок фильтров (16), выньте из блока фильтров (19) микропоролоновый фильтр (20) (рис. 3).
- Закройте крышку (18), возьмитесь за ручку (12), поверните её против часовой стрелки и снимите крышку (18).
- Выньте из колбы (16) сепаратор (21) (рис. 3) и промойте его под струёй теплой воды.
- Очистите блок фильтров (16) и микропоролоновый фильтр (20), от пыли и мусора и промойте их под струёй теплой воды.

- Не используйте для промывки фильтров посудомоечную машину.
- Тщательно просушите блок фильтров (16) и микропоролоновый фильтр (20).
- Запрещается для сушки фильтров использовать фен.
- Промойте колбу контейнера-пылесборника (16), вытрите её и просушите.
- Установите на место сепаратор (21), совместив выступы на сепараторе (21) с пазами на колбе (16).
- Установите на место крышку (18), для этого совместите выходное отверстие на крышке (18) с меткой «↑» на колбе (16), поверните крышку (18) по часовой стрелке до упора.
- Откройте крышку (18) и установите микропоролоновый фильтр (20) в блок фильтров (19), установите блок фильтров (19), на место.
- Закройте крышку (18) до срабатывания фиксатора (17).
- Установите собранный контейнер-пылесборник (11) на место, убедитесь, что контейнер-пылесборник (11) надёжно зафиксирован.

Внимание!

Перед установкой контейнера-пылесборника (11) убедитесь, что блок фильтров (19) и микропоролоновый фильтр (20) сухие и внутри контейнера-пылесборника (11) отсутствует влага.

Чистка выходного HEPA-фильтра (27)

- Выключите пылесос и отключите его от электрической сети.
- Снимите крышку выходного фильтра (27), нажав на фиксатор (2) (рис. 4), извлеките HEPA-фильтр (28) (рис. 5).
- Промойте HEPA-фильтр (28) под струёй слегка тёплой воды. Не используйте для промывки фильтра посудомоечную машину.
- Просушите HEPA-фильтр (28). Запрещается использовать фен для сушки HEPA-фильтра (28).
- Установите HEPA-фильтр (28) на место.
- Установите на место крышку выходного фильтра (27).

Примечания:

- *Перед установкой HEPA-фильтра (28) убедитесь в том, что он сухой.*
- *Запрещается использовать фен для сушки HEPA-фильтра (28).*

РУССКИЙ

Корпус пылесоса

- Протирайте корпус пылесоса слегка влажной мягкой тканью, после чего вытрите насухо.
- Запрещается погружать корпус пылесоса, сетевой шнур и вилку сетевого шнура в воду или в любые другие жидкости. Не допускайте попадания жидкости внутрь корпуса пылесоса.
- Запрещается для чистки поверхности пылесоса использовать растворители и абразивные чистящие средства.

ХРАНЕНИЕ

- Прежде чем убрать пылесос на длительное хранение, проведите чистку корпуса пылесоса, контейнера-пылесборника (11) и блока фильтров (19), поролонового фильтра (20) и сепаратора (21).
- Для удобства при хранении используйте место горизонтальной (24) «парковки» щётки.
- Храните пылесос в сухом прохладном месте, недоступном для детей и людей с ограниченными возможностями.

КОМПЛЕКТАЦИЯ

Пылесос с установленным контейнером-пылесборником и фильтрами – 1 шт.
Гибкий шланг – 1 шт.
Телескопическая удлинительная трубка – 1 шт.
Щетка UltraClean с переключателем «ПОЛ/КОВЕР» – 1 шт.
Щелевая насадка – 1 шт.
Насадка для чистки мебели/мебельной обивки – 1 шт.
Держатель насадок – 1 шт.
Инструкция – 1 шт.

ТЕХНИЧЕСКИЕ ХАРАКТЕРИСТИКИ

Электропитание: 220-240 В ~ 50 Гц
Номинальная потребляемая мощность: 1600 Вт
Максимальная мощность: 2200 Вт
Мощность всасывания: 400 Вт

УТИЛИЗАЦИЯ



В целях защиты окружающей среды, после окончания срока службы прибора и элементов питания (если входят в комплект), не выбрасывайте их вместе с обычными бытовыми отходами, передайте прибор и элементы питания в специализированные пункты для дальнейшей утилизации.

Отходы, образующиеся при утилизации изделий, подлежат обязательному сбору с последующей утилизацией в установленном порядке.

Для получения дополнительной информации об утилизации данного продукта обратитесь в местный муниципалитет, службу утилизации бытовых отходов или в магазин, где Вы приобрели данный продукт.

Производитель сохраняет за собой право изменять дизайн, конструкцию и технические характеристики, не влияющие на общие принципы работы устройства, без предварительного уведомления, из-за чего между инструкцией и изделием могут наблюдаться незначительные различия. Если пользователь обнаружил такие несоответствия, просим сообщить об этом по электронной почте info@vitek.ru для получения обновленной версии инструкции.

Срок службы прибора – 3 года



Данное изделие соответствует всем требуемым европейским и российским стандартам безопасности и гигиены.

ИЗГОТОВИТЕЛЬ: СТАР ПЛЮС ЛИМИТЕД
(STAR PLUS LIMITED)

МЕСТОНАХОЖДЕНИЕ И ПОЧТОВЫЙ АДРЕС ДЛЯ СВЯЗИ: ЮНИТ БИ ЭНД СИ, 15Й ЭТАЖ, КЭЙСИ АБЕРДИН ХАУС, №38, ХЭНГ ИП РОУД, ВОНГ ЧУК ХАНГ, ГОНКОНГ, КНР

ИМПОРТЕР: ООО «ВИТЕК.РУС»

МЕСТОНАХОЖДЕНИЕ И ПОЧТОВЫЙ АДРЕС ДЛЯ СВЯЗИ: 117209, РФ, Г. МОСКВА, СЕВАСТОПОЛЬСКИЙ ПР-КТ, Д. 28, КОРП. 1.

www.vitek.ru

ТЕЛЕФОН ДЛЯ СПРАВОК: 8-800-100-18-30

СДЕЛАНО В КНР

ШАҢСОРҒЫШ VT-8135

Құрылғы панажайларды құрғақ жинастыруға арналған.

СИПАТТАМАСЫ

1. UltraClean қылшақ
2. «ЕДЕН/КІЛЕМ» режимдерінің ауыстырғышы
3. Телескопиялық түтік бекіткіші
4. Телескопиялық ұзартқыш түтік
5. Иілгіш құбыршектің қолсабы
6. Сору қуаттылығының қол реттегіші
7. Иілгіш құбыршек
8. Иілгіш құбыршек ұштығы
9. Иілгіш құбыршек ұштамасының бекіткіштері
10. Ауатартқыш тесік
11. Шаңжинағыш-контейнер
12. Тасымалдауға арналған қолсап
13. Шаңжинағыш-контейнер қақпағы бекіткішінің пернесі
14. Шаңжинағыш-контейнер қақпағы
15. Шаңжинағыш-контейнер қақпағының бекіткіші
16. Шаңжинағыш-контейнердің құтысы
17. Сүзгілер блогі қақпағының бекіткіші
18. Сүзгілер блогінің қақпағы
19. Сүзгілер блогі
20. Микропоролон сүзгісі
21. Сепаратор
22. Сору қуаттылығының реттегіші
23. Желі бауын орау пернесі
24. Қылшақтың «тұрақ» орны
25. Шаңсорғышты қосу/сөндіру пернесі
26. Шығу сүзгісі қақпағының бекіткіші
27. Шығу сүзгісінің қақпағы
28. Шығу НЕРА-сүзгісі
29. Саңылаулық қондырма
30. Жиһазды/жиһаз қаптауын тазалауға арналған қылшақ
31. Қондырмалар ұстағышы

НАЗАР АУДАРЫҒЫЗ!

Қосымша қорғаныс үшін қоректендіру тізбегіне қорғаныс ажыратылу құрылғысын (ҚАҚ) 30 МА-ден аспайтын номиналды іске қосылу тоғымен орнатқан дұрыс. ҚАҚ орнатқан кезде маманға хабарласқан жөн.

ҚАУІПСІЗДІК ШАРАЛАРЫ

Құрылғыны пайдалану алдында берілген пайдалану бойынша басшылықты зейін қойып оқып шығыңыз және оны бүкіл пайдалану мерзімі бойы сақтаңыз. Құрылғыны тек оның тікелей міндеті бойынша ғана берілген басшылықта

жазылғандай пайдаланыңыз. Аспапты дұрыс қолданбау оның бұзылуына, пайдаланушыға немесе оның мүлгіне зиян келтіруі мүмкін.

Өртену, электр тоғымен зақымдану немесе жарақат алу тәуекелін азайту үшін төмендегі қауіпсіздік шаралары бойынша ұсыныстарды орындау керек.

- Құрылғыны электр желісіне қосу алдында, құрылғыда көрсетілген жұмыс істеу кернеуі сіздің үйіңіздің электр желісіндегі кернеуге сәйкес болуына көз жеткізіңіз.
- Өрт тәуекеліне жол бермеу үшін құрылғыны электр ашалығына қосқан кезде ауыстырғыштарды пайдаланбаңыз.
- Шаңсорғыш желілік ашалыққа қосулы кезде, оны қараусыз қалдырмаңыз. Сіз шаңсорғышты пайдаланбаған жағдайда, қондырмаларды ауыстырған кезде, сонымен қатар техникалық қызмет көрсету алдында, әрқашан желілік бауды электрлік ашалықтан суырыңыз.
- Электр тоғы соққысы тәуекелін азайту үшін шаңсорғышты бөлмелерден тыс пайдаланбаңыз, шаңсорғышты суды немесе кез-келген басқа сұйықтықтарды жинау үшін пайдалануға тыйым салынады (шаңсорғышты дымқыл беттерде пайдаланбаңыз).
- Шаңсорғышты тасымалдауға арналған қолсаптан ұстап қана тасымалдауға болады.
- Желілік бауды шаңсорғышты тасымалдау үшін пайдаланбаңыз, егер желілік бау есік саңылауын өтетін болса, есікті жаппаңыз, желілік баудың жиһаздың үшкір шеттермен немесе бұрыштарымен жанасуына жол бермеңіз. Бөлмені жинаған кезде желілік баудан шаңсорғышпен жүруге тыйым салынады – сіз оны бүлдіре аласыз.
- Алдымен шаңсорғышты іске/сөндіру батырмасымен сөндіріңіз және содан кейін ғана желілік баудың айыретігін электрлік ашалықтан шығаруға болады.
- Құрылғыны электрлік желіден ажыратқан кезде желілік баудан тартпаңыз, ал желілік баудың айыретігінен қолыңызбен ұстаңыз.
- Желілік айыретікті немесе шаңсорғыш корпусын сулы қолмен ұстамаңыз.
- Желілік бауды орау кезінде бауды қолыңызбен ұстаңыз, желілік айыретіктің еденге соғылуына жол бермеңіз.
- Құрылғының шығаратын саңылауын қандай да бір заттармен жабуға тыйым салынады.

ҚАЗАҚША

- Егер құрылғының қандай да бір саңылауы бөгеттелген болса, оны іске қосуға тыйым салынады.
- Шаштардың, сонымен қатар бос салбыраған киім бөліктері, саусақтар немесе басқа дене мүшелері шаңсорғыштың ауатартқыш саңылауларының қасында орналаспауын қадағалаңыз.
- Баспалдақ алаңшаларын жинастырғанда аса назар болыңыз.
- Шаңсорғышты бензин, еріткіштер сияқты жеңіл тұтанатын сұйықтықтарды жинауға пайдалануға тыйым салынады; шаңсорғышты осындай сұйықтықтарды сақтайтын жерлерде пайдалануға тыйым салынады.
- Шаңсорғыш көмегімен суды немесе басқа сұйықтықтарды, жанып немесе түтіндеп жатқан темекілерді, сіріңкелерді, шоқты, сонымен қатар сылақтың, бетонның, ұнның немесе күлдің майда түйіршікті шаңын жинауға тыйым салынады.
- Егер мыналар орнатылмаған болса шаңсорғышты пайдалануға тыйым салынады:
 - шаңжинауыш орнатылмаған немесе дұрыс құрастырылмаған;
 - кіргізетін және шығаратын сүзгілер.
- Шаңсорғыш корпусын суға немесе кез-келген басқа сұйықтықтарға матырмаңыз.
- Жеткізілім жинағына кіретін жабдықтар мен қондырмаларды ғана пайдаланыңыз.
- Шаңсорғышты мезгілімен тазалауды жүргізіңіз.
- Шаңсорғышты құрғақ салқын жерде сақтаңыз.
- Шаңсорғышты үй жануарларын тазалау үшін пайдаланбаңыз.
- Жұмы істеп тұрған құрылғының қасында балалар немесе мүмкіндіктері шектеулі тұлғалар болса, аса назар болыңыз.
- Берілген құрылғы балалардың пайдалануына арналмаған. Жұмыс уақытында және жұмыс циклдері арасындағы үзілістерде құрылғыны балалардың қолы жетпейтін жерлерде орналастырыңыз.
- Дене, жүйке немесе сана мүмкіндіктері төмендетілген тұлғалардың (балаларды қоса) немесе оларда тәжірибесі немесе білімі болмаса, егер олар бақыланбаса немесе олардың қауіпсіздігі үшін жауап беретін тұлғамен аспапты пайдалану туралы нұсқаулықтар берілген болмаса, аспап олардың пайдалануына арналмаған.

- Балаларға шаңсорғышты ойыншық ретінде пайдалануға рұқсат етпеңіз.
 - Балалардың қауіпсіздігі мақсатында орау ретінде пайдаланылатын полиэтилен қаптарды қараусыз қалдырмаңыз.
- Назар аударыңыз! Балаларға полиэтилен қаптармен немесе пленкамен ойнауға рұқсат етпеңіз. Тұншығу қаупі бар!**
- Желілік баудың айыретігін және желілік баудың өзін бүлінулердің жоқ екеніне мезгілімен тексеріп тұрыңыз.
 - Құрылғының желі ашасында немесе қуаттандыру бауында зақымданулар болса пайдалануға тыйым салынады.
 - Қуаттандыру бауы зақымданған жағдайда қауіп тууға жол бермеу үшін оны дайындаушы, сервистік қызмет немесе баламалы білікті маман ауыстыруы керек.
 - Аспапты өз бетімен жөндеуге тыйым салынады. Аспапты өз бетіңізбен бөлшектемеңіз, кез-келген ақаулықтар пайда болғанда, сонымен қатар ол құлғаннан кейін кепілдеме талоны мен www.vitek.ru сайтында көрсетілген хабарласу мекен-жайлары бойынша кез-келген туындыгерлес (өкілетті) қызмет көрсету орталығына хабарласыңыз.
 - Құрылғыны тек зауыттық орауда тасымалдаңыз.
 - Құрылғыны балалардың және мүмкіндіктері адамдардың қолы жетпейтін жерде сақтаңыз

ҚҰРЫЛҒЫ ТҰРҒЫН ПАНАЖАЙЛАРДА ТҰРМЫСТЫҚ ПАЙДАЛАНУ ҮШІН АРНАЛҒАН, ҚҰРЫЛҒЫНЫ КОММЕРЦИЯЛЫҚ ПАЙДАЛАНУ ЖӘНЕ ӨНДІРІСТІК АЙМАҚТАР МЕН ЖҰМЫС ПАНАЖАЙЛАРЫНДА ПАЙДАЛАНУҒА ТЫЙЫМ САЛЫНАДЫ.

АЛҒАШ РЕТ ПАЙДАЛАНУ АЛДЫНДА
Құрылғыны төмен температура жағдайында тасымалдағанда немесе сақтағанда, оны бөлме температурасында үш сағаттан кем емес уақыт бойы ұстау қажет.

- Құрылғыны толығымен қаптамадан шығарыңыз және құрылғының жұмысына кедергі келтіретін кез-келген жарнамалық жапсырмаларды алып тастаңыз.
- Құрылғының бүтіндігін тексеріңіз, бүліну-лері болған кезде құрылғыны пайдаланбаңыз.
- Құрылғыны қосар алдында электр желісі кернеуі құрылғының жұмыс кернеуіне сәйкес келетіндігіне көз жеткізіңіз.

ШАҢСОРҒЫШТЫ ЖИНАУ

Иілгіш құбыршекті жалғау және шешу

- Иілгіш құбыршектің ұштығын (8) ауартарқыш тесікке (10) бекіткіштер (9) іске қосылғанға дейін тығыңыз.
- Иілгіш құбыршекті (7) шешу үшін бекіткіштерге (9) басыңыз және ұшттықты (8) ауартарқыш тесіктен (10) шығарыңыз.

Телескопиялық түтікті және қондырмаларды қосу

- Телескопиялық ұзартқыш түтікті (4) иілгіш құбыршектің қолсабына (5) қосыңыз.
- Алдын-ала бекіткішке (3) басып, телескопиялық түтіктің астыңғы бөлігін қажетті ұзындыққа шығарыңыз.
- Қажетті қондырманы – еденге/кілем жабындыларына арналған қылшақты (1), құрамдастырылған саңылаулық қондырмасын (29) немесе жиһаз/жиһаз қаптауын тазалауға арналған қондырманы (30) таңдаңыз – және оны телескопиялық ұзартқыш түтікке (4) қосыңыз.
- Қажет болғанда қондырмаларды (29, 30) тікелей иілгіш құбыршектің қолсабына (5) қосуға болады.

ҚЫЛШАҚ-ҚОНДЫРМАЛАРДЫ ПАЙДАЛАНУ Еденге/кілем жабындыларына арналған қылшақ (1)

Қылшақтағы (1) ауыстырғышты (2) қажетті «ЕДЕН/ КІЛЕМ» күйіне (жинастыру жүргізіліп жатқан беттің түріне байланысты) орнатыңыз.

Саңылаулық қондырма (29)

Саңылауларға арналған қондырма радиаторларды, саңылауларды, бұрыштарды және диван жастықтарының арасын тазартуға арналған.

Жиһазды/жиһаз қаптауын тазалауға арналған қылшақ (30)

Қылшақ (30) жұмсақ жиһаздың маталық бетін тазартуға, жиһаздың бетіндегі шаңды жинауға да арналған, бұл кезде қылшақтағы (30) түктің болуы жиһаздың жалтыр бетін зақымдауға кедергі келтіреді. Жұмыс кезінде қылшақты қондырмаға (30) орнатыңыз.

Қондырмаларды ұстағыш (31)

Қондырмаларды (29, 30) сақтау ыңғайлығы үшін жинақта қондырмалар ұстағышы (31) қарастырылған.

Ұстағышты (31) телескопиялық түтікке (4) орнатыңыз және оған қондырмаларды (29, 30) орнатыңыз.

Шаңжинағыш-контейнер (11)

Шаңжинағыш-контейнер (11) циклонды сүзгімен жабдықталған, ол кіріп жатқан ауадан қоқыс пен шаңды сеуіп алады, ал сүзгілер блогы (19) соңында шаңның ең ұсақ бөлшектерін ұстап қалады.

Ескертпе: - *әрқашан сүзгілер блогінің (19) тазалығын қадағалаңыз, себебі бұған шаңсорғыш жұмысының нәтижелілігі байланысты болады.*

ШАҢСОРҒЫШТЫ ПАЙДАЛАНУ

Сақтандыру шаралары

- Қатты қыздырылған беттердің тікелей маңында, мысалы, күлсауыттар жанында, сонымен қатар жылдам тұтанатын сұйықтықтарды сақтау орындарында шаңсорғышпен жинауды іске асырмаңыз.
- Жинауды бастау алдында еденнен құрылғының зақымдануына жол бермеу үшін үшкір заттарды алып тастаңыз.
- Егер жинастыру кезінде шаңсорғыштың сору қуаттылығы кенет төмендеп кетсе, оны дереу сөндіріңіз және телескопиялық түтікті (4) немесе құбыршекті (7) қоқыстануға қатысты тексеріңіз. Шаңсорғышты сөндіріңіз, содан кейін оны электр желісінен ажыратыңыз, қоқыстануды жойыңыз, және осыдан кейін ғана жинастыруды жалғастыруға болады.

ПАЙДАЛАНУЫ

Назар аударыңыз! *Шаңсорғышты орнатылған шаңжинағыш-контейнермен (11) және оған орнатылған сүзгілер блогімен (19), сонымен қатар орнатылған шығу (28) HEPA-сүзгісімен ғана іске қосуға болады. Шаңсорғышты іске қосу алдында сүзгілердің (19, 28) болуын және орнату дұрыстығын міндетті түрде тексеріңіз.*

- Жұмысты бастамас бұрын желі бауын қажетті ұзындыққа тартыңыз және желі бауының ашасын электр розеткасына қосыңыз.
- Желі бауындағы сары белгі желі бауының максималды ұзындығы екенін ескертеді. Желі бауын қызыл белгіден әрі шығаруға тыйым салынады.
- Шаңсорғышты қосу үшін қосу / өшіру пернесіне (25) басыңыз.
- Жұмыс барысында сору қуаттылығын сору қуаттылығының электрондық реттеушісімен

ҚАЗАҚША

- (22), немесе иілгіш құбыршектің қолсабында (5) орналасқан сору қуаттылығының қол реттеушісі (6) арқылы реттей аласыз.
- Үй-жайдағы жинастыруды аяқтағаннан кейін іске қосу/сөндіру пернесіне (25) басыңыз және желі бауының ашасын электр розеткасынан суырыңыз.
 - Желі бауын орау үшін пернеге (23) басыңыз, оралып жатқан баудың соғылуы мен бұзылуына жол бермеу үшін оны қолмен ұстап тұрыңыз.
 - Жинастыру арасындағы үзілістерде қылшақты (1) «тұрақ» орнына (24) орнатуға болады.

Ескертпе: - қылшақты (1) ауыстыру, қондырмаларды (29, 30) орнату немесе шаңжинағыш-контейнерді (11) тазалау алдында шаңсорғышты сөндіріңіз және желі бауының ашасын электр розеткасынан ажыратыңыз.

ТАЗАЛАУ ЖӘНЕ КҮТІМ

Шаңжинағыш-контейнерді (11) тазалау

Үй-жайды әр жинастырған сайын шаңжинағыш-контейнерден (11) қоқыс пен шаңды жоюды жүзеге асырыңыз.

- Шаңсорғышты сөндіріңіз және оны желіден ажыратыңыз.
- Қолсаптан (12) ұстаңыз, бекіткішке (13) басыңыз және шаңжинағыш-контейнерді (11) шешіңіз (сур. 1).
- Шаңжинағыш-контейнерді (11) қоқыс шелегінің үстінен орналастырыңыз.
- Қақпақты (14) босату үшін бекіткішке (15) басыңыз (сур. 2).
- Шаң мен қоқысты контейнерден (11) жойыңыз.
- Қақпақты (14) жабыңыз.
- Контейнерді (11) орнына орнатыңыз.

Шаңжинағыш-контейнерге (11) орнатылған сүзгілер блогі (19) мен сепараторды (21) тазалау

- Контейнерді (11) жоғарыда сипатталғандай қоқыс пен шаңнан алдын-ала тазалаңыз.
- Бекіткіштен (17) тартыңыз және қақпақты (18) ашыңыз.
- Сүзгі блогін (16) шешіп алыңыз, сүзгі блогінен (19) микропоролон сүзгісін (20) (сур. 3) шығарыңыз.
- Қақпақты (18) жабыңыз, қолсаптан (12) ұстаңыз, оны сағат тілі бағытына қарсы бұраңыз және қақпақты (18) шешіп алыңыз.
- Құтыдан (16) сепараторды (21) (сур. 3) шығарыңыз және оны жылы су ағыны астында жуыңыз.

- Сүзгілер блогін (16) және микропоролон сүзгісін (20), шаңнан және қоқыстан тазалаңыз және оларды жылы су ағыны астында жуыңыз.
- Сүзгілерді жуу үшін ыдыс жуатын машинаны пайдаланбаңыз.
- Сүзгілер блогін (16) және микропоролон сүзгіні (20) мұқият кептіріңіз.
- Сүзгілерді кептіру үшін фенді пайдалануға тыйым салынады.
- Шаңжинағыш-контейнердің құтысын (16) жуып жіберіңіз, сүртіңіз және кептіріңіз.
- Сепараторды (21) орнына орнатыңыз, ол үшін сепаратордағы (21) бұдырды құтыдағы (16) ойықтармен сәйкестендіріңіз.
- Қақпақты (18) орнына орнатыңыз, ол үшін қақпақтағы (18) шығыс тесігін құтыдағы (16) «↑» белгімен сәйкестендіріңіз, қақпақты (18) сағат тілі бағыты бойынша тірелгенге дейін бұраңыз.
- Қақпақты (18) ашыңыз және микропоролон сүзгіні (20) сүзгілер блогіне (19) орнатыңыз, сүзгілер блогін (19) орнына орнатыңыз.
- Қақпақты (18) бекіткіш (17) іске қосылғанға дейін жабыңыз.
- Құрастырылған шаңжинағыш-контейнерді (11) орнына орнатыңыз, шаңжинағыш-контейнердің (11) сенімді бекігеніне көз жеткізіңіз.

Назар аударыңыз!

Шаңжинағыш-контейнерді (11) орнатар алдында, сүзгілер блогі (19) және микропоролон сүзгі (20) құрғақ екеніне және шаңжинағыш-контейнердің (11) ішінде ылғалдың жоқ екеніне көз жеткізіңіз.

Шығу HEPA-сүзгісін (27) тазалау

- Шаңсорғышты сөндіріңіз және оны электр желісінен ажыратыңыз.
- Шығу сүзгісінің қақпағын (27) шешіңіз, ол үшін бекіткішке (2) (сур. 4) басыңыз, HEPA- сүзгіні (28) шығарыңыз (сур. 5).
- HEPA-сүзгісін (28) сәл жылы ағын судың астында жуыңыз. Сүзгіні жуу үшін ыдыс жуатын машинаны қолданбаңыз.
- HEPA-сүзгіні (28) кептіріңіз. HEPA-сүзгіні (28) кептіру үшін фенді пайдалануға тыйым салынады.
- HEPA-сүзгісін (28) орнына орнатыңыз.
- Шығу сүзгісінің қақпағын (27) орнына орнатыңыз.

Ескертпе:

- HEPA-сүзгіні (28) орнату алдында, оның құрғақ екеніне көз жеткізіңіз.
- HEPA-сүзгіні (28) кептіру үшін фенді пайдалануға тыйым салынады.

Шаңсорғыш корпусы

- Шаңсорғыш корпусын сәл дымқыл жұмсақ матамен сүртіңіз, содан кейін құрғатып сүртіңіз.
- Шаңсорғыш корпусын, желі бауын және желі бауының ашасын суға немесе кез-келген басқа сұйықтықтарға салуға тыйым салынады. Шаңсорғыш корпусының ішіне сұйықтықтың тиюіне жол бермеңіз.
- Шаңсорғыш бетін тазалау үшін еріткіштерді және қажайтын тазалағыш заттарды пайдалануға тыйым салынады.

САҚТАЛУЫ

- Шаңсорғышты ұзақ уақыт сақтауға қоярдан бұрын, шаңсорғыш корпусының, шаңжинағыш-контейнердің (11) және сүзгілер блогінің (19), поролон сүзгісінің (20) және сепаратордың (21) тазалауын жүргізіңіз.
- Сақтау кезінде ыңғайлылық үшін қылшақтың көлденең «тұрағы» орнын (24) пайдаланыңыз.
- Шаңсорғышты құрғақ салқын, балалардың және мүмкіндіктері шектеулі адамдардың қолы жетпейтін жерде сақтаңыз.

ЖИНАҚТАЛЫМЫ

Сүзгілер және шаңжинағыш-контейнер

орнатылған шаңсорғыш – 1 дн.

Иілгіш құбыршек – 1 дн.

Телескопиялық ұзартқыш түтік – 1 дн.

«ЕДЕН/КІЛЕМ» ауыстырғышы бар

UltraClean қылшағы – 1 дн.

Саңылау қондырмасы – 1 дн.

Жиһаз/жиһаз қаптауын тазалауға арналған

қондырма – 1 дн.

Қондырмалар ұстағышы – 1 дн.

Нұсқаулық – 1 дн.

ТЕХНИКАЛЫҚ СИПАТТАМАЛАР

Электрлік қуаттандыруы: 220-240 В ~ 50 Гц

Номиналдық тұтыну қуаттылығы: 1600 Вт

Максималды қуаты: 2200 Вт

Сору қуаттылығы: 400 Вт

ҚАЙТА ӨНДЕУ



Қоршаған ортаны қорғау мақсатында, аспаптың және қуаттандыру элементтерінің (егер жинақтың құрамына кірсе) қызмет ету мерзімі аяқталғаннан кейін, оларды күнделікті тұрмыстық қалдықтармен бірге тастауға болмайды, аспап пен қуаттандыру элементтерін ары қарай кәдеге асыру үшін мамандандырылған орындарға өткізу керек.

Бұйымдарды қайта өңдеу кезінде пайда болатын қалдықтар белгіленген тәртіп бойынша келесі қайта өңделетін міндетті жинауға жатады.

Берілген өнімді қайта өңдеу туралы қосымша ақпаратты алу үшін жергілікті муниципалитетке, тұрмыстық қалдықтарды қайта өңдеу қызметіне немесе берілген өнімді Сіз сатып алған дүкенге хабарласыңыз.

Дайындаушы аспапты жақсарту мақсатында, алдын-ала хабарламай, аспаптың дизайнын, конструкциясы және оның жұмыс қағидатына әсер етпейтін техникалық сипаттарын өзгерту құқығын өзіне қалдырады, соған байланысты нұсқаулық пен бұйымның арасында кейбір айырмашылықтар болуы мүмкін. Егер пайдаланушы осындай сәйкессіздіктерді анықтаса, нұсқаулықтың жаңартылған нұсқасын алу үшін сәйкессіздік туралы info@vitek.ru электрондық поштасына хабарлауыңызды сұраймыз.

Аспаптың қызмет ету мерзімі – 3 жыл

Гарантиялық міндеттілігі

Гарантиялық жағдайдағы қаралып жатқан бөлшектер дилерден тек сатып алынған адамға ғана беріледі. Осы гарантиялық міндеттілігіндегі шағымдалған жағдайда төлеген чек немесе квитанциясын көрсетуі қажет.

ЕАС

ПИЛОСОС VT-8135

Пилосос призначений для сухого прибирання приміщень.

ОПИС

1. Щітка UltraClean
2. Перемикач режимів «ПІДЛОГА/КИЛИМ»
3. Фіксатор телескопічної трубки
4. Телескопічна подовжувальна трубка
5. Ручка гнучкого шланга
6. Ручний регулятор потужності всмоктування
7. Гнучкий шланг
8. Наконечник гнучкого шланга
9. Фіксатори наконечника гнучкого шланга
10. Повітрязабірний отвір
11. Контейнер-пилосбірник
12. Ручка для перенесення
13. Клавіша фіксатора кришки контейнера-пилосбірника
14. Кришка контейнера-пилосбірника
15. Фіксатори кришки контейнера-пилосбірника
16. Колба контейнера-пилосбірника
17. Фіксатор кришки блоку фільтрів
18. Кришка блоку фільтрів
19. Блок фільтрів
20. Мікропоролонний фільтр
21. Сепаратор
22. Регулятор потужності всмоктування
23. Клавіша змотування мережного шнура
24. Місце «паркування» щітки
25. Клавіша увімкнення/вимкнення пилососа
26. Фіксатор решітки вихідного фільтра
27. Кришка вихідного фільтра
28. Вихідний HEPA-фільтр
29. Щільна насадка
30. Насадка для чищення меблів/меблевої оббивки
31. Тримач насадок

УВАГА!

Для додаткового захисту у ланцюг живлення доцільно встановити пристрій захисного вимкнення (ПЗВ) з номінальним струмом спрацьовування, що не перевищує 30 мА; при установленні слід звернутися до фахівця.

ЗАХОДИ БЕЗПЕКИ

Перед використанням пристрою уважно прочитайте цю інструкцію з експлуатації та зберігайте її протягом всього терміну експлуатації. Використовуйте пристрій тільки за його прямим призначенням, як викладено у цьому керів-

ництві. Неправильне поводження з пристроєм може призвести до його поломки, завдання шкоди користувачеві або його майну.

Для зниження ризику виникнення пожежі, для захисту від ураження електричним струмом та захисту від травм дотримуйтеся приведених нижче рекомендацій.

- Перш ніж підімкнути пристрій до електромережі, переконайтеся в тому, що напруга, вказана на пристрої, відповідає напрузі електромережі у вашому будинку.
- Щоб уникнути ризику виникнення пожежі, не використовуйте перехідники при підмиканні пристрою до електричної розетки.
- Не залишайте пилосос без нагляду, коли він увімкнений в мережну розетку. Обов'язково виймайте вилку мережного шнура з електричної розетки, якщо не користуєтеся пилососом, при зміні насадок, а також перед обслуговуванням пристрою.
- Для зниження ризику ураження електричним струмом не використовуйте пилосос поза приміщеннями, забороняється використовувати пилосос для збирання води або будь-якої іншої рідини (не використовуйте пилосос на вологих поверхнях).
- Переносити пилосос можна тільки узявши за ручку для перенесення.
- Не використовуйте мережний шнур для перенесення пилососа, не закривайте двері, якщо мережний шнур проходить через дверний проріз, уникайте контакту мережного шнура з гострими краями або кутами меблів, а також з нагрітими поверхнями. Під час прибирання приміщення забороняється переїждати пилососом через мережний шнур – ви можете його пошкодити.
- Спочатку обов'язково вимикайте пилосос кнопкою увімкнення/вимкнення, і тільки після цього можна виймати вилку мережного шнура з електричної розетки.
- Вимикаючи пристрій з електричної мережі, не тягніть за мережний шнур, а беріться за вилку мережного шнура.
- Не торкайтеся мережної вилки або корпусу пилососа мокрими руками.
- Під час змотування мережного шнура притримуйте шнур рукою, не допускайте, щоб мережна вилка вдарялася об поверхню підлоги.
- Забороняється закривати вихідний отвір пристрою якими-небудь предметами.

- Забороняється вмикати пристрій, якщо який-небудь з його отворів заблокований.
- Наглядайте за тим, щоб волосся, вільно висячі елементи одягу, пальці або інші частини тіла не знаходилися поряд з повітрязабірними отворами пилососа.
- Будьте особливо уважні при прибиранні сходових майданчиків.
- Забороняється використовувати пилосос для збирання легкозаймистих рідин, таких як бензин; забороняється використовувати пилосос у місцях зберігання таких рідин.
- Забороняється за допомогою пилососа збирати воду або будь-які інші рідини, горячі або димлячі сигарети, сірники, тліючий попіл, а також тонкодисперсний пил, наприклад, від тиньку, бетону, борошна або золи.
- Забороняється використовувати пилосос, якщо:
 - не встановлений або неправильно встановлений пилосбірник;
 - не встановлені вхідний та вихідний фільтри.
- Не занурюйте корпус пилососа у воду або у будь-які інші рідини.
- Використовуйте тільки ті аксесуари та насадки, які входять до комплекту поставлення.
- Робіть регулярне чищення пилососа.
- Зберігайте пилосос у сухому прохолодному місці.
- Не використовуйте пилосос для чищення домашніх тварин.
- Будьте особливо уважні, якщо поблизу від працюючого пристрою знаходяться діти або особи з обмеженими можливостями.
- Цей пристрій не призначений для використання дітьми. Під час роботи та у перервах між робочими циклами розміщайте пристрій у місцях, недоступних для дітей.
- Пристрій не призначений для використання особами (включаючи дітей) зі зниженими фізичними, психічними або розумовими здібностями або при відсутності у них досвіду або знань, якщо вони не знаходяться під контролем або не проінструктовані щодо використання пристрою особою, відповідальною за їх безпеку.
- Здійсніть нагляд за дітьми, щоб не допустити використання пристрою як іграшки.

- З міркувань безпеки дітей не залишайте поліетиленові пакети, що використовуються як упаковки, без нагляду.

Увага! Не дозволяйте дітям грати з поліетиленовими пакетами або пакувальною плівкою.
Небезпека задущення!

- Регулярно перевіряйте стан вилки мережного шнура і сам шнур живлення на наявність пошкоджень.
- Забороняється використовувати пристрій, якщо є пошкодження мережної вилки або шнура живлення.
- При пошкодженні шнура живлення його заміну, щоб уникнути небезпеки, мають робити виробник, сервісна служба або подібний кваліфікований персонал.
- Забороняється самостійно ремонтувати пристрій. Не розбирайте пристрій самостійно, при виникненні будь-яких несправностей, а також після падіння пристрою вимкніть пристрій з електричної розетки та зверніться до найближчого авторизованого (уповноваженого) сервісного центру за контактними адресами, вказаними у гарантійному талоні та на сайті www.vitek.ru.
- Перевозьте пристрій лише у заводській упаковці.
- Зберігайте пристрій у місцях, недоступних для дітей та людей з обмеженими можливостями.

ПРИСТРІЙ ПРИЗНАЧЕНИЙ ТІЛЬКИ ДЛЯ ПОБУТОВОГО ВИКОРИСТАННЯ У ЖИТЛОВИХ ПРИМІЩЕННЯХ, ЗАБОРОНЯЄТЬСЯ КОМЕРЦІЙНЕ ВИКОРИСТАННЯ ТА ВИКОРИСТАННЯ ПРИСТРОЮ У ВИРОБНИЧИХ ЗОНАХ ТА РОБОЧИХ ПРИМІЩЕННЯХ.

ПЕРЕД ПЕРШИМ ВИКОРИСТАННЯМ

Після транспортування або зберігання пристрою при зниженій температурі необхідно витримати його при кімнатній температурі не менше трьох годин.

- Повністю розпакуйте пристрій та видаліть будь-які рекламні наклейки, що заважають роботі пристрою.
- Перевірте цілісність пристрою, якщо є пошкодження, не користуйтеся пристроєм.
- Перед вмиканням переконайтеся в тому, що напруга електричної мережі відповідає робочій напрузі пристрою.

УКРАЇНЬСКА

ЗБИРАННЯ ПИЛОСОСА

Приєднання та зняття гнучкого шланга

- Вставте наконечник гнучкого шланга (8) у повітряозабірний отвір (10) до клацання фіксаторів (9).
- Для зняття гнучкого шланга (7) натисніть на фіксатори (9) та витягніть наконечник (8) з повітряозабірного отвору (10).

Приєднання телескопічної трубки та насадок

- Приєднайте телескопічну подовжувальну трубку (4) до ручки гнучкого шланга (5).
- Висуньте нижню частину телескопічної трубки на необхідну довжину, попередньо натиснувши на фіксатор (3).
- Виберіть необхідну насадку – щітку для підлоги/килимових покриттів (1), щілинну насадку (29) або насадку для чищення меблів/меблевої оббивки (30) – та приєднайте її до телескопічної подовжувальної трубки (4).
- При необхідності можна приєднувати насадки (29, 30) безпосередньо до ручки гнучкого шланга (5).

ВИКОРИСТАННЯ ЩІТОК-НАСАДОК

Щітка для підлоги/килимових покриттів (1)

Установіть перемикач (2) на щітці (1) у необхідне положення «ПІДЛОГА/КИЛИМ» (залежно від типу поверхні, на якій здійснюється прибирання).

Щілинна насадка (29)

Щілинна насадка призначена для чищення радіаторів, щілин, кутів та простору між подушками диванів.

Щітка для чищення меблів/меблевої оббивки (30)

Насадка (30) призначена для чищення тканинних поверхонь м'яких меблів та для збирання пилу з поверхні меблів, при цьому наявність ворсу на щітці (30) перешкоджає пошкодженню полірованої поверхні меблів. Під час роботи установіть щітку на насадку (30).

Тримач насадок (31)

Для зручності зберігання насадок (29, 30) у комплекті передбачений тримач насадок (31). Установіть тримач (31) на телескопічну трубку (4) та установіть на нього насадки (29, 30).

Контейнер-пилосбірник (11)

Контейнер-пилосбірник (11) оснащений циклонічним фільтром, який відсіює сміття та пил з вхідного повітря, а блок фільтрів (19) цілком затримує найдрібніші частинки пилу.

Примітка: - завжди наглядуйте за чистотою блоку фільтрів (19), оскільки від цього залежить ефективність роботи пилососа.

ВИКОРИСТАННЯ ПИЛОСОСА

Запобіжні заходи

- Не робіть прибирання пилососом у безпосередній близькості від сильно нагрітих поверхонь, наприклад, поряд з попілничками, а також у місцях зберігання легкозаймистих рідин.
- Перед початком прибирання заберіть з підлоги гострі предмети, щоб не допустити пошкодження пристрою.
- Якщо під час прибирання різко знизилася всмоктувальна потужність пилососа, негайно вимкніть його та перевірте телескопічну трубку (4) або шланг (7) на предмет засмічення. Вимкніть пилосос, потім вимкніть його з електричної мережі, усуньте засмічення, і тільки після цього можна продовжувати прибирання.

ЕКСПЛУАТАЦІЯ

Увага! Вмикати пилосос можна тільки з встановленим контейнером-пилосбірником (11) та встановленими у ньому блоком фільтрів (19), а також зі встановленим вихідним (28) HEPA-фільтром. Перед увімкненням пилососа обов'язково перевіряйте наявність та правильність встановлення фільтрів (19, 28).

- Перед початком роботи витягніть мережний шнур на необхідну довжину та вставте вилку мережного шнура в електричну розетку.
- Жовта відмітка на мережному шнурі попереджає про максимальну довжину мережного шнура. Забороняється витягувати мережний шнур далі червоної відмітки.
- Для вмикання пилососа натисніть на клавішу увімкнення/вимкнення (25).
- Під час роботи ви можете регулювати потужність всмоктування за допомогою регулятора потужності всмоктування (22) або ручного регулятора потужності всмоктування (6), розташованого на ручці гнучкого шланга (5).
- Після закінчення прибирання у приміщенні натисніть на клавішу увімкнення/

вимкнення (25) та витягніть вилку мережного шнура з електричної розетки.

- Для змотування мережного шнура натисніть на клавішу (23), притримуйте рукою змотний шнур, щоб уникнути його захльостування та пошкодження.
- У перервах між прибираннями можна встановлювати щітку (1) у місце для «паркування» (24).

Примітка: - перед заміною щітки (1), установленням насадок (29, 30) або перед чищенням контейнера-пилосбірнику (11) вимкніть пилосос та витягніть вилку мережного шнура з електричної розетки.

ЧИЩЕННЯ ТА ДОГЛЯД

Чищення контейнера-пилосбірнику (11)

Здійсніть усунення сміття та пилу з контейнера-пилосбірнику (11) після кожного прибирання приміщення.

- Вимкніть пилосос та від'єднайте його з мережі.
- Візьміться за ручку (12), натисніть на фіксатор (13) та зніміть контейнер-пилосбірник (11) (мал. 1).
- Розташуйте контейнер-пилосбірник (11) над відром для сміття.
- Натисніть на фіксатор (15) для звільнення кришки (14) (мал. 2).
- Видаліть пил та сміття з контейнера (11).
- Закрийте кришку (14).
- Установіть контейнер (11) на місце.

Чищення сепаратора (21)

та блоку фільтрів (19), встановленого у контейнері-пилосбірнику (11)

- Попередньо очистіть контейнер (11) від сміття та пилу, як описано вище.
- Потягніть за фіксатор (17) та відкрийте кришку (18).
- Вийміть блок фільтрів (16), вийміть з блоку фільтрів (19) мікропоролонний фільтр (20) (мал. 3).
- Закрийте кришку (18), візьміться за ручку (12), поверніть її проти годинникової стрілки та зніміть кришку (18).
- Вийміть з колби (16) сепаратор (21) (мал. 3) та промийте його під струменем теплої води.
- Очистіть блок фільтрів (16) та мікропоролонний фільтр (20) від пилу та сміття і промийте їх під струменем теплої води.
- Не використовуйте для промивання фільтрів посудомийну машину.

- Ретельно просушіть блок фільтрів (16) та мікропоролонний фільтр (20).
- Забороняється для сушіння фільтрів використовувати фен.
- Промийте колбу контейнера-пилосбірнику (16), витріть її та просушіть.
- Установіть на місце сепаратор (21), сумітивши виступи на сепараторі (21) з пазами на колбі (16).
- Установіть на місце кришку (18), для цього сумістіть вихідний отвір на кришці (18) з міткою «↑» на колбі (16), поверніть кришку (18) за годинниковою стрілкою до упору.
- Відкрийте кришку (18) та установіть мікропоролонний фільтр (20) у блок фільтрів (19), установіть блок фільтрів (19) на місце.
- Закрийте кришку (18) до спрацьовування фіксатора (17).
- Установіть складений контейнер-пилосбірник (11) на місце, переконайтеся, що контейнер-пилосбірник (11) надійно зафіксований.

Увага!

Перед установленням контейнера-пилосбірнику (11) переконайтеся, що блок фільтрів (19) та мікропоролонний фільтр (20) сухі та всередині контейнера-пилосбірнику (11) відсутня волога.

Чищення вихідного HEPA-фільтра (27)

- Вимкніть пилосос та від'єднайте його з електричної мережі.
- Зніміть кришку вихідного фільтра (27), натиснувши на фіксатор (2) (мал. 4), витягніть HEPA-фільтр (28) (мал. 5).
- Промийте HEPA-фільтр (28) під струменем злегка теплої води. Не використовуйте для промивання фільтрів посудомийну машину.
- Просушіть HEPA-фільтр (28). Забороняється використовувати фен для сушіння HEPA-фільтра (28).
- Установіть HEPA-фільтр (28) на місце.
- Установіть на місце кришку вихідного фільтра (27).

Примітки:

- Перед установленням HEPA-фільтра (28) переконайтеся у тому, що він сухий.
- Забороняється використовувати фен для сушіння HEPA-фільтра (28).

Корпус пилососа

- Протирайте корпус пилососа злегка вологою м'якою тканиною, після чого витріть досуха.
- Забороняється занурювати корпус пилососа, мережний шнур та вилку мережного шнура

УКРАЇНЬСКА

у воду або у будь-які інші рідини. Не допускайте потрапляння рідини всередину корпусу пилососа.

- Забороняється для чищення поверхні пилососа використовувати розчинники та абразивні очищувальні засоби.

ЗБЕРІГАННЯ

- Перш ніж забрати пилосос на тривале зберігання, проведіть чищення корпусу пилососа, контейнера-пилосбірника (11) та блоку фільтрів (19), поролонового фільтра (20) та сепаратора (21).
- Для зручності при зберіганні використовуйте місце горизонтального (24) «паркування» щітки.
- Зберігайте пристрій у сухому прохолодному місці, недоступному для дітей та людей з обмеженими можливостями.

КОМПЛЕКТАЦІЯ

Пилосос зі встановленим контейнером-пилосбірником та фільтрами – 1 шт.
Гнучкий шланг – 1 шт.
Телескопічна подовжувальна трубка – 1 шт.
Щітка UltraClean з перемикачем «ПІДЛОГА/КИЛИМ» – 1 шт.
Щілинна насадка – 1 шт.
Насадка для чищення меблів/меблевої оббивки – 1 шт.
Тримач насадок – 1 шт.
Інструкція – 1 шт.

ТЕХНІЧНІ ХАРАКТЕРИСТИКИ

Електроживлення: 220-240 В ~ 50 Гц
Номинальна споживана потужність: 1600 Вт
Максимальна потужність: 2200 Вт
Потужність всмоктування: 400 Вт

УТИЛІЗАЦІЯ



Для захисту навколишнього середовища після закінчення терміну служби пристрою та елементів живлення (якщо входять до комплекту) не викидайте їх разом зі звичайними побутовими відходами, передайте пристрій та елементи живлення у спеціалізовані пункти для подальшої утилізації.

Відходи, що утворюються при утилізації виробів, підлягають обов'язковому збору з подальшою утилізацією у встановленим порядку.

Для отримання додаткової інформації про утилізацію даного продукту зверніться до місцевого муніципалітету, служби утилізації побутових відходів або до крамниці, де Ви придбали цей продукт.

Виробник зберігає за собою право змінювати дизайн, конструкцію та технічні характеристики, які не впливають на загальні принципи роботи пристрою, без попереднього повідомлення, через що між інструкцією та виробом можуть спостергатися незначні відмінності. Якщо користувач виявив такі невідповідності, просимо повідомити про це по електронній пошті info@vitek.ru для отримання оновленої версії інструкції.

Термін служби пристрою – 3 роки

Гарантія

Докладні умови гарантії можна отримати в дилера, що продав дану апаратуру. При пред'явленні будь-якої претензії протягом терміну дії даної гарантії варто пред'явити чек або квитанцію про покупку.

Даний продукт відповідає вимогам Директиви 2014/30/ЄС щодо електромагнітної сумісності та Директиви 2014/35/ЄС щодо низьковольтного обладнання.



ЧАҢ СОРГУЧ VT-8135

Чаң соргуч имараттарды кургак тазалоо үчүн арналган.

СЫПАТТАМА

1. UltraClean щеткасы
2. «ЖЕР ТАМАН/КИЛЕМ» режимдердин которгучу
3. Телескоптук түтүктүн бекитмеси
4. Узарткыч телескоптук түтүгү
5. Ийилчээк түтүкчөнүн туткасы
6. Соруу кубаттуулугунун кол жөндөгүчү
7. Ийилчээк түтүкчө
8. Ийилчээк түтүкчөнүн учу
9. Ийилчээк түтүкчөнүн учунун бекитмелери
10. Аба алуучу тешик
11. Чаң топтогуч контейнер
12. Көтөрүп ташуу үчүн туткасы
13. Чаң топтогуч контейнердин капкагынын бекитме баскычы
14. Чаң топтогуч контейнердин капкагы
15. Чаң топтогуч контейнердин капкагынын бекитмеси
16. Чаң топтогуч контейнердин колбасы
17. Чыпка сапсалгысынын капкагынын бекитмеси
18. Чыпка сапсалгысынын капкагы
19. Чыпка сапсалгысы
20. Микропоролон чыпка
21. Сепаратор
22. Соруу кубаттуулугунун жөндөгүчү
23. Тармактык шнурун түрүп жыйноочу баскычы
24. Щетканы «коюу» жайы
25. Чаң соргучту иштетүү/өчүрүү баскычы
26. Аба чыгуучу чыпканын капкагынын бекитмеси
27. Аба чыгуучу чыпканын капкагы
28. Чыгуучу HEPA-чыпка
29. Жылчык саптама
30. Эмеректи/эмерек капталын тазалоо саптамасы
31. Саптамалардын кармагычы

КӨҢҮЛ БУРУҢУЗДАР!

Кошумча коргонуу үчүн электр тармагында потенциалдуу иштеткен тогу 30 мА ашырбаган коргоп өчүрүүчү аспабын орнотулушу максатка ылайыктуу. Аспапты орнотуу үчүн адиске кайрылыңыз.

КООПСУЗДУК ЧАРАЛАРЫ

Электр шайманды пайдалануудан мурун колдонмону көңүл коюп окуп-үйрөнүңүз, бүткүл кызмат мөөнөтүнө сактап алыңыз.

Шайманды тике дайындоо боюнча гана, ушул колдонмодо жазылганга ылайыктуу колдонуңуз. Шайманды туура эмес пайдалануу анын бузулуусуна, колдонуучуга же колдонуучунун мүлкүнө зыян келтирүүгө алып келиши мүмкүн. Өрт коркунучун азайтуу үчүн, электр тогу ургандан, жаракат алуудан коргонуу үчүн төмөнкүдөгү колдонмону колдонуңуз.

- Шайманды биринчи жолу иштеткенден мурун шаймандын үстүндө жазылган чыңалуусу электр үйүңүздөгү чыңалуусуна ылайык болгонун текшерип алыңыз.
- Өрт коркунучун жоюу үчүн аспапты электр розеткасына туташтырганда кошуучу түзүлмөлөрдү колдонбоңуз.
- Чаң соргуч электр розеткасына сайылып турганда аны кароосуз таштабаңыз. Чаң соргучту иштетпей турганда, насадкаларын алмаштыруунун алдында же шайманды тейлөөнүн алдында сайгычын милдеттүү түрдө электр розеткасынан чыгарыңыз.
- Электр тогу уруу коркунучун азайтуу үчүн чаң соргучту имараттардын тышында иштетпеңиз, чаң соргучту суу же башк суюктуктарды жыйноо үчүн колдонууга тыюу салынат (чаң соргучту нымдуу беттердин үстүндө колдонбоңуз).
- Чаң соргучту көтөрүп ташуу үчүн туткасынан кармап гана ташысаңыз болот.
- Чаң соргучту электр шурунан кармап ташыбаңыз, электр шуру эшик тешигинен тартылган болсо, эшикти жаппаңыз, электр шурун эмеректин учтуу кырларына же бурчтарына, ысык беттерге тийгизбеңиз. Имаратты жыйнап тазалоо убагында чаң соргучту шурунун үстүнөн тартып жылдырбаңыз, ал бузулуп калуу мүмкүн.
- Биринчиден өчүрүп/күйгүзгүчү баскычы аркылуу чаң соргучту өчүрүп, ошондон кийин гана кубаттуучу сайгычын розеткасынан чыгарсаңыз болот.
- Кубаттуучу сайгычын электр розеткасынан сурганда шуруду кармап эч качан тартпаңыз, сайгычын кармаңыз.
- Кубаттуучу сайгычын же чаң соргучтун корпусун суу колуңуз менен тийбеңиз.
- Электр шурун түрүү мезгилинде шурун колуңуз менен бир аз кармап туруңуз, сайгычы жерге урулганына жол бербейсиз.
- Шаймандын аба чыгуучу тешигин ар кайсы буюмдар менен жабууга тыюу салынат.

КЫРГЫЗ

- Шаймандын ар кыл тешиги тосулуп турган болсоң шайманды иштетүүгө тыюу салынат.
- Чачыңыз, кийимдердин асылып турган жайлары, бармактар же башка буюмдар чаң соргучтун аба соруучу тешиктин жанында белбогонун байкап туруңуз.
- Тепкич айтчасын жыйнаганда өзгөчө көңүл бурукуздар.
- Чаң соргучту бендин катары эриткич жана бат жалындап кетүүчү суюктуктарды жыйноого, ал суюктуктар сактоо жайында иштетүүгө тыюу салынат.
- Сууну же башка суюктуктарды, күйүп же түтөп турган сигареталарды, күкрттөрдү, араң кызарп жаткан күлдү жана шукатурка, бетон, ун же күл аркылуу заттардын майда дисперстик чаңын жыйноого тыюу салынат.
- Эгерде:
 - чаң топтогуч орнотулбаган же туура эмес орнотулган болсо;
 - аба кирүүчү же чыгуучу ыпкалары орнотулбаган болсо чаң соргучту колдонбонуз.
- Чаң соргучтун корпусун сууга же ар кыл башка суюктуктарга салбаңыз.
- Жыйынтыгына кирүүчү аксессуарларын жана насадкаларын гана колдонуңуз.
- Чаң соргучту мезгилдүү түрдө тазалап туруңуз.
- Чаң соргучту кургак, салкын жеринде сактаңыз.
- Үй жаныбарларды тазалоо үчүн чаң соргучту колдонбонуз.
- Иштеп турган шамандын жанында балдар же жөндөмдүүлүгү төмөн болгон адамдар бар болгондо өзгөчө көңүл буруп туруңуз.
- Бул шайман балдар колдонуу үчүн арналган эмес. Шайман иштеп турганда жана тыныгуу убактарында шайманды балдар жетпеген жерине коюңуз.
- Бул шайман дене күчү, сезими же акыл-эси жагынан жөндөмдүүлүгү төмөн (ошонун ичинде балдар да) адамдар же колдонуу буюнча тажрыйбасы же билими жок болгон адамдар, эгерде алардын коопсуздугуна жооптуу адам аларды көзөмөлдөп же инструкциялаган болбосо колдонуу үчүн ылайыкташтырылбаган.
- Шайманды оюнчук катары колдонбоо үчүн балдарга көз салыңыз.

- Балдардын коопсуздугу үчүн таңгак катары колдонулган полиэтилен баштыктарды кароосуз таштабаңыз.

Көңүл буруңуздар! Полиэтилен баштыктар же таңгак пленкасы менен ойногонго балдарга уруксат бербейсиз. Тумчуктуруунун коркунучу бар!

- Электр шнурун жана кубаттуучу розеткасынын абалын бузулуулар болбоо үчүн мезгилдүү түрдө келет.
- Электр шнурунун же тармактык айрысынын бузулуулары бар болсо, түзмөктү колдонууга тыюу салынат.
- Шайманды өз алдынча оңдогонго тыюу салынат. Шайманды өз алдынча ажыратпай, ар кыл бузулуулар пайда болгон же шайман кулап түшкөн учурларда аны розеткадан суруп, кепилдик талонундагы же www.vitek.ru сайтындагы тизмесине кирген автордоштурулган (ыйгарым укуктуу) тейлөө борборуна кайрылыңыз.
- Шайманды заводдук таңгагында гана транспорттоо зарыл.
- Шайманды балдар жана жөндөмдүүлүгү төмөн болгон адамдар жетпеген кургак салкын жеринде сактаңыз

АСПАП ТУРАК ЖАЙЛАРДА ТУРМУШ-ТИРИЧИЛИК КОЛДОНУУГА ГАНА АРНАЛГАН, КОММЕРЦИЯЛЫК КОЛДОНУУГА, ӨНӨР ЖАЙ ЗОНАЛАРЫНДА ЖЕ ЖУМУШ ИМАРАТТАРДА КОЛДОНУУГА ТЫЮУ САЛЫНАТ.

БИРИНЧИ КОЛДОНУУНУН АЛДЫНДА

Электр шайманы төмөнкү температурада ташылып же сакталган болсо, бөлмөнүн температурасында кеминде үч саат кармап туруп, анан иштетүү керек.

- Шайманды таңгактан чыгарып, шаймандын иштөөсүнө тоскоолдук кылган ар кандай чаптамааларды сыйрып алыңыз.
- Шаймандын бүтүн болгондугун текшерип, бузулуулар бар болсо шайманды колдонбонуз.
- Иштетүүнүн алдында түзмөктүн иштөө чыңалуусу электр тармагындагы чыңалуусуна ылайык болгонун текшерипиз.

ЧАҢ СОРГУЧТУ КУРАШТЫРУУ

Ийилчээк түтүкчөнү орнотуу жана чечүү

- Ичилчээк түтүкчөнүн учун (8) аба алуучу тешигине (10) бекитмелери (9) тырс эткенине чейин орнотуңуз.

- Ийилчээк түтүкчөнү (7) чечүү үчүн бекитмелерин (9) басып, сайгычын (8) аба алуу тешигинен (10) чыгарыңыз.

Телескоптук түтүгүн жана саптамаларын орнотуу

- Узарткыч телескоптук түтүгүн (4) ийилчээк түтүкчөнүн туткасына (5) туташтырыңыз.
- Бекитмесин (3) алдын ала басып, телескоптук түтүктүн ылдый жагын керектүү узундугуна чыгарыңыз.
- Керектүү саптамасын– жер таман/килем үчүн щеткасын (1), бириктирилген жылчык саптамасын (29) же эмерек капталын тазалоо саптамасын (30) – таңдап, узарткыч телескоптук түтүгүнө (4) туташтырыңыз.
- Керек болгондо саптамаларын (29, 30) ийилчээк түтүкчөнүн туткасына (5) тике туташтырса болот.

ЩЕТКА-САПТАМАЛЫН ПАЙДАЛАНУУ

Жертаман/килем жабуулар үчүн щетка (1)

Щеткадагы (1) «ЖЕР ТАМАН/КИЛЕМ» которгучун (2) керектүү абалына коюңуз (жыйнап турган бетине карата).

Жылчык саптама (29)

Жылчык саптама радиаторлорду, жарыктарды, бурчтарды же дивандын жаздыктарынын арасын тазалоо үчүн арналган.

Эмеректи/эмерек капталын тазалоо щеткасы (30)

Саптама (30) жумшак эмеректин үстүнкү капталын тазалоо, эмеректин үстүндөгү чанды жыйноо үчүн арналып, щеткадагы (30) түгү эмеректин жылмалак бетинин бузулуусуна жол бербейт. Иштетүү убагында щетканы саптаманын (30) үстүнө орнотуңуз.

Саптамалардын кармагычы (31)

Саптамаларды (29, 30) ыңгайлуу сактоо үчүн топтомуна саптамалардын кармагычы (31) кирет.

Кармагычты (31) телескоптук түтүгүнө (4) орнотуп, ага саптамаларды (29, 30) орнотуп алыңыз.

Чаң топтогуч контейнери (11)

Чаң топтогуч контейнери (11) циклондук чыпкасы менен жабдылган, ал кирген абадан чаң жана

шыпырындыны токтотуп, чыпка сапсалгысы (19) чаңдын майда бөлүктөрүн токтотот.

Эскертүү: - *чыпка сапсалгычын (19) ар дайым тазалыкта сактаңыз, себеби чаң соргучтун ишинин эффективдүүлүгү ага байланыштуу болот.*

ЧАҢ СОРГУЧТУ ПАЙДАЛАНУУ

Коопсуздук чаралары

- Өтө ысыган беттердин, мисалы, күл салгычтардын тикеден-тик жакынчылыгында жана тез жалындап кетүүчү суюктуктар сакталган жеринде чаң соргучу иштетпеңиз.
- Шайманды колдонуудан мурун анын бузулуусуна жол бербөө үчүн жерден учтуу нерселерди алып салыңыз.
- Шайманды иштетип турган мезгилде соруунун кубаттуулугу кескин азайып калса, аны токтоосуз өчүрүп, телескоптук түтүгү (4) же ийилчээк түтүкчөсү (7) тыгылып калбаганын текшерип алыңыз. Чаң соргучту өчүрүп, электр тармагынан ажыратып, тыгылган жерин бошотуп, андан кийин гана иштетүүнү улантсаңыз болот.

КОЛДОНУУ

Көңүл буруңуз! Чаң соргучту чаң топтогуч контейнери (11) анын ичиндеги чыпка сапсалгысы (19), чыгаруучу (28) НЕРА-чыпкасы орнотулганда гана иштетсеңиз болот. Чаң соргучту иштетүүнүн алдында чыпкалары (19, 28) бар болуп, туура орнотулганын милдеттүү түрдө текшерип туруңуз.

- Иштетүүнүн алдында электр шнурун керектүү узундугуна тартып чыгарып, кубаттуучу сайгычын электр розеткасына сайыңыз.
- Электр шнурундагы сары белгиси шнурдун максималдуу узундугун белгилейт. Шнурду кызыл белгисинен ары тартууга тыюу салынат.
- Чаң соргучту иштетүү үчүн иштетүү/өчүрүү баскычын (25) басыңыз.
- Шайманды иштетип турганда соруу кубаттуулугун кубаттуулуктун жөндөгүчү (22), жана ийилчээк түтүкчөнүн туткасында (5) жайгашкан соруу кубаттуулугунун кол жөндөгүчү (6) аркылуу жөнгө салсаңыз болот.
- Имаратты тазалап бүткөндөн кийин өчүрүү/күйгүзүү баскычын (25) басып, кубаттуучу сайгычын электр розеткасынан чыгарыңыз.
- Электр шнурун түрүп жыйноо үчүн баскычты (23) басып, түрүлүп турган шнуру чалынып

КЫРГЫЗ

бузулбоо үчүн аны колуңуз менен тосуп туруңуз.

- Жыйноонун тыныгууларында щеткины (1) «коюу» (24) жайына орнотуп турсаңыз болот.

Эскертүү: - щеткины (1) алмаштыруунун, саптамаларын (29, 30) орнотуунун же чаң топтогуч контейнерин (11) тазалоонун алдында чаң соргучту өчүрүп, электр тармагынан ажыратып алыңыз.

ТАЗАЛОО ЖАНА КАМ КӨРҮҮ

Чаң топтогуч контейнерин (11) тазалоо

Чаң топтогуч контейнеринен (11) чаңды жана шыпырындыны ар иштетүүдөн кийин төгүп туруңуз.

- Чаң соргучту өчүрүп, электр тармагынан ажыратыңыз.
- Туткасынан (12) кармап, бекитмесин (13) басып, чаң топтогуч контейнерин (11) чечиңиз (1 сүр.).
- Чаң топтогуч контейнерин (11) таштанды чакасынын үстүндө кармаңыз.
- Капкакты (14) бошотуу үчүн бекитмени (15) басыңыз (2 сүр.).
- Контейнердеги (11) чаңды жана шыпырындыларды алып салыңыз.
- Капкакты (14) жабыңыз.
- Контейнерди (11) ордуна коюңуз.

Чаң топтогуч контейнердин (11) ичиндеги сепаратор (21) менен чыпка сапсалгысын (19) тазалоо

- Жогоруда айтылгандай контейнерди (11) чаң менен шыпырындыдан бошотуп алыңыз.
- Бекитмесин (17) тартып, капкакты (18) ачыңыз.
- Чыпка сапсалгысын (16) чечип, чыпка сапсалгысынан (19) микропоролондуу чыпканы (20) чыгарыңыз (3 сүр.).
- Капкакты (18) жабып, туткасынан (12) кармап, аны саат жебесинин багытына каршы бурап, капкакты (18) чечип салыңыз.
- Сепараторду (21) колбадан (16) чыгарып (3 сүр.) аны жылуу суунун астында жууп алыңыз.
- Чыпка сапсалгысы (16) менен микропоролондуу чыпканы (20) чаң менен шыпырындыдан тазалап, агып турган жылуу суунун астында жууп алыңыз.
- Чыпкаларды жууш үчүн идиш жуучу аспапты колдонбонуз.

- Чыпка сапсалгысы (16) менен микропоролондуу (20) чыпкасын жакшылап кургатып алыңыз.
- Чыпкаларды кургатуу үчүн фенди колдонууга тыюу салынат.
- Чаң топтогуч контейнердин колбасын (16) жууңуз, сүртүңуз жана кургатып алыңыз.
- Сепаратордогу (21) чыгып турган жайларын колбадагы (16) оюктары менен дал келтирип, сепараторду (21) ордуна орнотуңуз.
- Капкакты (18) ордуна орнотуңуз, ал үчүн капкактагы (18) чыгаруучу тешигин колбадагы (16) «↑» белгиси менен дал келтирип, капкакты (18) саат жебесинин багыты боюнча бурап катуу бекитиңиз.
- Капкакты (18) ачып, микропоролондуу чыпканы (20) чыпка сапсалгысына (19) орнотуп, чыпка сапсалгысын (19) ордуна орнотуңуз.
- Капкакты (18) бекитмелери (17) бекитилгенине чейин жабыңыз.
- Кураштырылган чаң топтогуч контейнерин (11) ордуна коюп, чаң топтогуч контейнер (11) бекем бекитилгенин текшерип алыңыз.

Көңүл буруңуз!

Чаң топтогуч контейнерин (11) орнотуудан мурун чыпка сапсалгысы (19) менен микропоролондуу чыпкасы (20) кургак болуп, чаң топтогуч контейнердин (11) ичинде нымдуулугу жок болгонун текшерип алыңыз.

Аба чыгуучу HEPA-чыпкасын (27) тазалоо

- Чаң соргучту өчүрүп, электр тармагынан ажыратыңыз.
- Бекитмени (2) басып, чыгаруучу чыпканын капкагын (27) чечиңиз (4 сүр.), HEPA-чыпканы (28) чыгарыңыз (5 сүр.).
- HEPA-чыпкасын (28) бир аз жылуу суунун астында жууп алыңыз. Чыпкаларды жууш үчүн идиш жуучу аспапты колдонбонуз.
- HEPA-чыпканы (28) кургатып алыңыз. HEPA-чыпканы (28) фен менен кургатууга тыюу салынат.
- HEPA-чыпкасын (28) ордуна коюңуз.
- Аба чыгуучу чыпканын капкагын (27) ордуна орнотуңуз.

Эскертүү:

- HEPA-чыпкасын (28) орнотуунун алдында ал кургак болгонун текшерип алыңыз.
- HEPA-чыпканы (28) фен менен кургатууга тыюу салынат.

Чаң соргучтун корпусу

- Чаң соргучтун корпусун бир аз нымдуу жумшак чүпүрөк менен сүртүп, кургатып сүртүп туруңуз.
- Чаң соргучтун корпусун, электр шнурун жана шнурунун сайгычын сууга же башка суюктуктарга салууга тыюу салынат. Чаң соргучтун ичине суу куюлуусуна жол бербениз.
- Чаң соргучтун корпусун тазалоо үчүн эриткичтерди жана абразивдүү тазалоо каражаттарды колдонууга тыюу салынат.

САКТОО

- Чаң соргучту узак убакытка сактоого алып салуудан мурда анын корпусун, чаң топтогуч контейнери (11) менен чыпка сапсалгысын (19), поролондуу чыпка (20) менен сепараторун (21) тазалап алыңыз.
- Сактоонун ыңгайлуулугу үчүн щетканы горизонталдуу «коюу» жайын (24) колдонуңуз.
- Түзмөктү балдар жана жөндөмдүүлүгү чектелген адамдар колу жетпеген жерлерде сактаңыз.

ЖАБДЫКТЫН ЖЫЙЫНТЫГЫ

Чаң топтогуч контейнери менен чыпкалары орнотулган чаң соргуч – 1 даана.
Ийилчээк түтүкчөсү – 1 даана.
Узарткыч телескоптук түтүгү – 1 даана.
UltraClean щёткасы “ЖЕР/КИЛЕМ” которгучу менен – 1 даана.
Жылчык саптама – 1 даана.
Эмеректи/эмерек капталын тазалоо насадкасы – 1 даана.
Саптамалардын кармагычы – 1 даана.
Колдонмо – 1 даана.

ТЕХНИКАЛЫК МҮНӨЗДӨМӨСҮ

Кубаттандыруу чыңалуусу: 220-240 В ~ 50 Гц
Номиналдуу иштетүү кубаттуулугу: 1600 Вт
Максималдуу кубаттуулугу: 2200 Вт
Соруу кубаттуулугу: 400 Вт

УТИЛИЗАЦИЯЛОО



Айлана чөйрөөнү коргоо максатында шайман менен азыктандыруучу элементтердин (эгерде топтомго кирсе) кызмат мөөнөтү бүткөндөн кийин турмуш-тиричилик калдыктары менен бирге таштабаңыз, шайман менен азыктандыруучу элементти андан ары утилизациялоо үчүн адистештирилген пункттарга бериңиз.

Шаймандарды утилизациялоодон пайда болгон калдыктарды милдеттүү түрдө чогултуп, андан соң белгиленген жолунда утилизациялоо зарыл. Бул шайманды утилизациялоо жөнүндө кошумча маалымат алуу үчүн жергиликтүү өкмөткө, турмуш-тиричилик калдыктарды утилизациялоо кызматына же бул шайманды алган дүкөнгө кайрылыңыз.

Өңдүрүүчү шаймандардын жалпы иштөө принциптерине таасир этпеген дизайн, конструкциясын жана техникалык мүнөздөмөлөрүн алдын ала эскертпей өзгөртүү укугун сактайт, ошол себептен колдонмо менен шаймандын маанилүү эмес айырмачылыктар болуу мүмкүн. Колдонуучу ушундай келишпегендиктерди тапса, ал жөнүндө info@vitek.ru электрондук почтасына жазып, шаймандын жаңырланган версиясын алса болот.

Кызмат мөөнөтү – 3 жыл

Кепилдик

Кепилдик берүү шарттары тууралуу толук маалыматтар буюмду саткан сатуучудан алууга болот. Кепилдик шарттарына ылайык талап кылып сатылган товарга чек же дүмүрчөктү көрсөтүү керек.



GB

A production date of the item is indicated in the serial number on the technical data plate. A serial number is an eleven-unit number, with the first four figures indicating the production date. For example, serial number 0606xxxxxxx means that the item was manufactured in June (the sixth month) 2006.

RUS

Дата производства изделия указана в серийном номере на табличке с техническими данными. Серийный номер представляет собой одиннадцатизначное число, первые четыре цифры которого обозначают дату производства. Например, серийный номер 0606xxxxxxx означает, что изделие было произведено в июне (шестой месяц) 2006 года.

KZ

Бұйымның шығарылған мерзімі техникалық деректері бар кестедегі сериялық нөмірде көрсетілген. Сериялық нөмір он бір саннан тұрады, оның бірінші төрт саны шығару мерзімін білдіреді. Мысалы, сериялық нөмір 0606xxxxxxx болса, бұл бұйым 2006 жылдың маусым айында (алтыншы ай) жасалғанын білдіреді.

UA

Дата виробництва виробу вказана в серійному номері на табличці з технічними даними. Серійний номер представляє собою одинадцятизначне число, перші чотири цифри якого означають дату виробництва. Наприклад, серійний номер 0606xxxxxxx означає, що виріб був виготовлений в червні (шостий місяць) 2006 року.

KG

Буюм иштеп чыгарылган датасы сериялык номурунда техникалык маалыматтар жадыбалында көрсөтүлгөн. Сериялык номуру он бир орундуу сан болот, анын биринчи төрт саны өндүрүш датасын көрсөтөт. Мисалы, сериялык номуру 0606xxxxxxx болгон буюм 2006 жылдын июнинде (алтынчы айында) өндүрүлгөн.



ЗАПРЕЩЕНО УТИЛИЗИРОВАТЬ
С БЫТОВЫМ МУСОРОМ.
ОБРАТИТЕСЬ НА СООТВЕТСТВУЮЩИЙ
ПУНКТ ПЕРЕРАБОТКИ ЭЛЕКТРИЧЕСКОГО
И ЭЛЕКТРОННОГО ОБОРУДОВАНИЯ.