

Always here to help you

Register your product and get support at
www.philips.com/welcome

HD7762

Question?
Contact
Philips

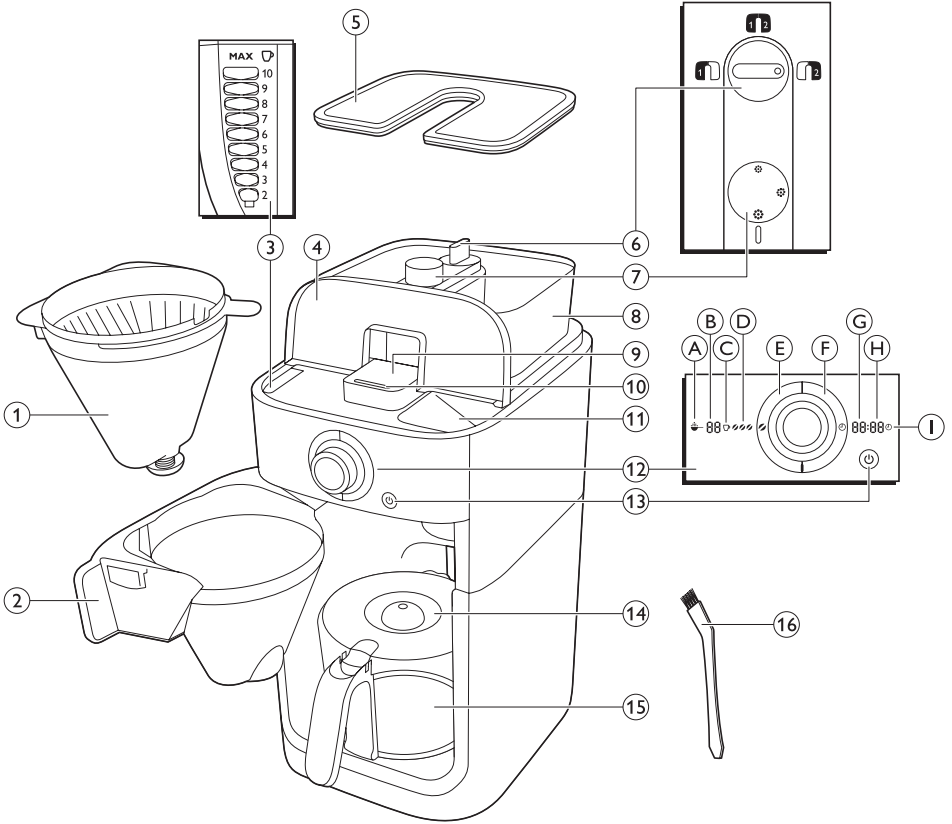


EN	User manual	5
ET	Kasutusjuhend	14
KK	Қолданушының нұсқасы	22
KO	사용 설명서	31
LT	Vartotojo vadovas	39

LV	Lietotāja rokasgrāmata	47
PL	Instrukcja obsługi	55
RU	Руководство пользователя	64
UK	Посібник користувача	73

PHILIPS





1 Introduction

Congratulations on your purchase and welcome to Philips! To fully benefit from the support that Philips offers, register your product at www.philips.com/welcome.

2 General description (Fig. 1)

- 1 Filter basket
- 2 Filter basket holder
- 3 Water level indicator
- 4 Water reservoir lid
- 5 Bean container lid
- 6 Container selector
- 7 Coarseness knob
- 8 Duo coffee bean container
- 9 Grinder funnel lid
- 10 Lock of grinder funnel lid
- 11 Water filling hole
- 12 Display
 - A Pre-ground coffee icon
 - B Number of cups
 - C Coffee cup icon
 - D Strength select coffee bean icon
 - E Strength select button
 - F Timer button
 - G Hour indication
 - H Minute indication
 - I Timer icon
- 13 On/off button
- 14 Glass jug lid
- 15 Glass jug
- 16 Cleaning brush

3 Important

Read this user manual carefully before you use the appliance and save it for future reference.

3.1 Danger

- Never immerse the appliance in water or any other liquid, nor rinse it under the tap.

3.2 Warning

- Check if the voltage indicated on the bottom of the appliance corresponds to the local mains voltage before you connect the appliance.
- If the mains cord is damaged, you must have it replaced by Philips, a service centre authorised by Philips or similarly qualified persons in order to avoid a hazard.
- This appliance can be used by children aged from 8 years and above and by persons with reduced physical, sensory or mental capabilities or lack of experience and knowledge if they have been given supervision or instruction concerning use of the appliance in a safe way and if they understand the hazards involved. Cleaning and user maintenance shall not be made by children unless they are older than 8 and supervised. Keep the appliance and its cord out of reach of children aged less than 8 years.
- Children shall not play with the appliance.
- Do not let the mains cord hang over the edge of the table or worktop on which the appliance stands.
- Do not touch the grinding burrs of the appliance, especially when the appliance is connected to the mains.
- Keep the packaging materials (plastic bags, cardboard buffers, etc.) out of the reach of children, as they are not a toy.
- Do not touch the hot surfaces of the appliance when it operates.
- This appliance is designed to grind beans and make coffee. Use it correctly and with care to avoid scalding by hot water and steam.

- Do not empty the water reservoir by tilting the appliance, it can damage the appliance. Only empty the water reservoir by following the flush instruction.
- Do not use the appliance if the plug, the mains cord or the appliance itself is damaged.
- If a problem occurs that you cannot solve by means of this user manual, contact the Consumer Care Centre in your country. If the problem cannot be solved, take the appliance to a service centre authorised by Philips for examination or repair. Do not attempt to repair the appliance yourself, otherwise your guarantee becomes invalid.

3.3 Caution

- Do not place the appliance on a hot surface and prevent the mains cord from coming into contact with hot surfaces.
- Unplug the appliance if problems occur during grinding or brewing and before you clean it.
- Do not move the appliance while it is operating.
- The appliance becomes hot during use. Let the appliance cool down before you store it.
- During brewing, the lower part of the appliance and the bottom of the jug become hot.
- After you have unpacked the appliance, make sure it is complete and undamaged. If in doubt, do not use the appliance but contact the Consumer Care Centre in your country.
- This appliance is intended for normal household use only. It is not intended for use in environments such as staff kitchens of shops, offices, farms or other work environments. Nor is it intended to be used by clients in hotels, motels, bed and breakfasts and other residential environments.

3.4 Electromagnetic fields (EMF)

This Philips appliance complies with all applicable standards and regulations regarding exposure to electromagnetic fields.

4 Before first use

4.1 Setting the clock

- 1 Put the mains plug in the wall socket.
 - *00:00 flashes on the display to indicate that you have to set the clock time.*
- 2 Turn the knob to set the hour (Fig. 2).
- 3 Press in the centre of the knob to confirm the hour (Fig. 3).
 - *The minutes start to flash to indicate that you have to set the minutes.*
- 4 Turn the knob to set the minutes (Fig. 4).
- 5 Press in the centre of the knob to confirm the minutes (Fig. 5).
- 6 The display shows the set clock time. The coffeemaker is ready for use.

4.2 Setting the automatic switch off time

You can adjust the time after which the appliance automatically switches off. The default time is set to 30 minutes. You can adjust this time to a maximum of 120 minutes. If you want to adjust the automatic switch off time, follow the steps below.

- 1 Make sure the appliance is switched off (but the mains plug is in the wall socket).
- 2 Press and hold in the centre of the knob until the display starts to flash.
- 3 Turn the knob to increase or decrease the time. 1 is 10 minutes, 2 is 20 minutes, 3 is 30 minutes and so on until 12 is 120 minutes.
- 4 Press in the centre of the knob to confirm the minutes.

 **Note:**

The appliance always saves the last setting.

4.3 Flushing the appliance

You need to flush the coffeemaker once before first use.

- 1 Open the water reservoir lid. Fill the water reservoir with fresh cold water **up to the 8-cup indication**. (Fig. 6)

 **Note:**

Do not put coffee beans or ground coffee in the appliance.

- 2 Close the water reservoir lid.
- 3 Put the jug in the appliance (Fig. 7).
- 4 Press the on/off button (Fig. 8).
 - *The display lights up.*
- 5 Press the strength select button (Fig. 9).
- 6 Turn the knob to choose the pre-ground coffee setting (Fig. 10).
 - *The pre-ground coffee icon lights up.*
- 7 Press in the centre of the knob to confirm. Then press in the centre of the knob again to start the flushing process (Fig. 11).
- 8 Let the appliance operate until the flushing process has been completed.
- 9 Empty the jug.

5 Using the appliance

5.1 Filling the water reservoir

- 1 Open the water reservoir lid and fill the water reservoir with the required amount of cold water. (Fig. 6)
- When you open the water reservoir lid, there are indications for 2 to 10 cups on the inside of the appliance. You can use these indications to determine how much water to put in the water reservoir: The reflection changes from light to dark per filled cup of water. You can also use the water level indicator on the jug.

 **Note:**

Do not fill the water reservoir beyond the 10-cup indication.

5.2 Using coffee beans

 **Warning:**

Always keep the water reservoir lid closed when you fill the coffee bean container with coffee beans. Otherwise coffee beans can fall into the water reservoir and block up the water inlet.

- 1 Remove the coffee bean container lid. (Fig. 12)
- 2 Fill the duo coffee bean container with coffee beans. You can fill the duo coffee bean container with two different types of coffee beans. Make sure there are enough coffee beans in the container for the amount of coffee you want to brew (Fig. 13).

 **Note:**

Always make sure the coffee bean container is at least half full.

 **Warning:**

To prevent the grinder from jamming, do not use unroasted or caramelised beans.

We advise to use coffee beans instead of espresso beans as this may cause damage.

- 3** To open the filter basket holder, pull at its tab on the right side of the coffeemaker (Fig. 14).
- 4** Take a paper filter (type 1x4 or no. 4) and fold the sealed edges to prevent tearing and folding. Place the paper filter in the filter basket. (Fig. 15)
- 5** Close the filter basket holder.
- 6** Put the jug in the appliance. (Fig. 7)
- 7** Turn the coarseness knob to select the desired type of grind (from fine to coarse). (Fig. 16)

 **Tip:**

The coarseness knob allows you to choose between nine different settings. We preselected 3 optimal settings but you can also choose any setting in between the icons. We advise you to experiment with the different grind settings to find out which setting you prefer.

- 8** Turn the container selector to choose between the two types of coffee beans (Fig. 17).

 **Warning:**

Whenever you switch between coffee bean containers or coffee beans, there will always be traces of coffee left of the previously ground type of coffee beans. Clean the grinder funnel after you switch to a new type of coffee bean to prevent this.

 **Note:**

Depending on your taste, you can either select one of the two types of coffee beans or a mix of both types.

- 9** Press the on/off button on the front of the appliance (Fig. 8).
 - *The number of cups starts to flash.*

- 10** To select the number of cups, turn the knob until the desired number of cups appears on the display (Fig. 18).

 **Note:**

Make sure that the number of cups you select with the 2-10 cups button is consistent with the amount of water in the water reservoir. Please keep in mind that the coffeemaker uses all the water in the water reservoir. If you select a number of cups that is smaller than the amount of water, the coffee becomes weaker than you intended.

- 11** Press in the centre of the knob to confirm the number of cups.
- 12** Press the strength select button. (Fig. 9)
 - *The coffee bean icons start to flash.*
- 13** Turn the knob to select the desired coffee strength (mild: 1 bean, medium: 2 beans or strong: 3 beans) (Fig. 10).
 - *The display shows the selected coffee strength.*

 **Tip:**

We advise you to experiment with the amount of water to find out which strength you prefer. If you select a number of cups that is higher than the amount of water, the coffee becomes stronger. If you select a number of cups that is smaller than the amount of water, the coffee becomes weaker.

- 14** Press in the centre of the knob to confirm, Then press in the centre of the knob again to start the brewing process (Fig. 19).
 - *The grinder grinds the required amount of coffee beans.*
- 15** Wait until the coffeemaker has stopped brewing before you remove the jug.

 **Note:**

After brewing, coffee drips from the filter basket for several seconds.

5.3 Using pre-ground coffee

If you want to use pre-ground coffee instead of coffee beans, follow the steps below.

- 1 Open the water reservoir lid and fill the water reservoir with the required amount of cold water. (Fig. 6)
- 2 To open the filter basket holder, pull at its tab on the right side of the coffeemaker (Fig. 14).
- 3 Take a paper filter (type 1x4 or no. 4) and fold the sealed edges to prevent tearing and folding. Place the paper filter in the filter basket (Fig. 15).
- 4 Put pre-ground coffee in the paper filter.

Note:

You can adjust the strength of the coffee to your own personal taste. For a medium-strong cup of coffee, use one measuring spoon (approximately 6g) of ground coffee for each cup (120ml). For stronger coffee, use 1.5 measuring spoons of ground coffee for each cup of coffee.

- 5 Close the filter basket holder.
- 6 Put the jug in the appliance (Fig. 7).
- 7 Press the on/off button (Fig. 8).
 - *The display lights up.*
- 8 Press the strength select button (Fig. 9).
- 9 Turn the knob to choose the pre-ground coffee setting (Fig. 10).
 - *The pre-ground coffee icon lights up.*
- 10 Press in the centre of the knob to confirm. Then press in the centre of the knob again to start the brewing process (Fig. 11).
- 11 Wait until the coffeemaker has stopped brewing before you remove the jug.

Note:

After brewing, coffee drips from the filter basket for several seconds.

5.4 Setting the timer

The timer enables you to program the time at which you want the brewing process to start. Make sure all steps of brewing coffee are taken with either preground coffee or coffee beans before setting the timer.

- 1 Press the timer button. (Fig. 20)
 - *On the display 00:00 flashes to indicate that you have to set the timer.*
- 2 Turn the knob to set the hour (Fig. 21).
- 3 Press in the centre of the knob to confirm the hour (Fig. 22).
 - *The minutes starts to flash to indicate that you have to set the minutes.*
- 4 Turn the knob to set the minutes (Fig. 23).
- 5 Press in the centre of the knob to confirm the minutes (Fig. 24).
 - *The timer is set and the brewing process will start at the preset time.*

5.5 Drip stop function

The drip stop function enables you to remove the jug from the coffeemaker before the brewing process is finished. When you remove the jug, the drip stop stops the flow of coffee into the jug.

Note:

The brewing process does not stop when you remove the jug. If you do not put the jug back into the appliance within 20 seconds, the filter basket overflows.

6 Cleaning and maintenance

6.1 Cleaning after every use

 **Warning:**

Never immerse the appliance in water or any other liquid, nor rinse it under the tap.

- 1 Press the on/off button on the front of the appliance to switch off the appliance. (Fig. 25)
- 2 Remove the mains plug from the wall socket.
- 3 Wipe the outside of the coffeemaker with a damp cloth (Fig. 26).
- 4 Clean the filter basket and the jug in the dishwasher or with hot water and some washing-up liquid.

6.2 Cleaning the grinder funnel

Whenever you switch between coffee bean containers or coffee beans, there will always be traces left of the previously ground type of coffee beans that can affect the taste of your coffee. Clean the grinder funnel every 1 to 2 weeks or whenever you switch between coffee bean containers to prevent freshly ground coffee and traces in the grinder funnel from mixing together. After you switch to a new type of coffee beans, follow the steps below to ensure optimal taste.

- 1 Press the on/off button on the front of the appliance to switch off the appliance (Fig. 25).
- 2 To open the filter basket holder, pull at its tab on the right side of the coffeemaker (Fig. 14).
- 3 Take a paper filter (type 1x4 or no. 4) and fold the sealed edges to prevent tearing and folding. Place the paper filter in the filter basket. (Fig. 15)
- 4 Close the filter basket holder.
- 5 To open the grinder funnel lid, insert the flat end of the cleaning brush handle into the lock and press it down (Fig. 27).

 **Note:**

If you want to clean the grinder funnel quickly by brush only, please continue with step 7. If you want to prevent ground coffee traces from affecting the taste of your new coffee beans, please continue with step 6.

- 6 Press and hold the strength select button for 4 seconds (Fig. 28).
 - *The grinder starts cleaning itself.*
- 7 When the grinder has stopped cleaning, use the cleaning brush to brush ground coffee residues into the lower part of the funnel (Fig. 29).
 - *The ground coffee residues fall into the filter basket.*

 **Warning:**

Do not drop the brush in the grinder funnel.

- 8 Close the lid of the grinder funnel.
- 9 Remove the paper filter with the ground coffee residues and throw it away.

6.3 Descaling the coffeemaker

Descale the coffeemaker when you notice excessive steaming or when the brewing time increases. It is advisable to descale it every two months. Only use white vinegar to descale, as other products may cause damage to the coffeemaker.

 **Warning:**

Never use vinegar with an acetic acid content of 8% or more, natural vinegar, powder descalers or tablet descalers to descale the appliance, as this may cause damage.

- 1 Open the water reservoir lid.
- 2 Fill the water reservoir with 8 cups of white vinegar (4% acetic acid) and 2 cups of water (Fig. 6).
- 3 Place a paper filter (no. 4) in the filter basket and close the filter basket holder (Fig. 15).
- 4 Put the empty jug in the appliance (Fig. 7).
- 5 Put the mains plug in the wall socket.
- 6 Press the on/off button on the front of the appliance to switch on the appliance (Fig. 8).
 - *The display lights up.*
- 7 Press the strength select button and turn the knob to choose the pre-ground coffee setting (Fig. 10).
- 8 Press in the centre of the knob to confirm. Then press in the centre of the knob again to start the brewing process (Fig. 11).
- 9 Wait until half of the vinegar-water solution has flowed into the jug. Then press the on/off button to stop the brewing process and let the solution act for at least 15 minutes (Fig. 30).
- 10 Press the on/off button to switch the coffeemaker back on (Fig. 8).
- 11 Press in the centre of the knob once to let the appliance complete the brewing process (Fig. 31).
- 12 Empty the jug and throw away the paper filter.
- 13 Fill the water reservoir with cold water and press in the centre of the knob twice to start another brewing process. Let the coffeemaker complete the entire brewing process and empty the jug.
- 14 Repeat step 13 until the water no longer tastes or smells like vinegar.

- 15 Clean the filter basket and the jug in the dishwasher or with hot water and some washing-up liquid.
- 16 Press the on/off button on the front of the appliance to switch off the appliance.

7 Ordering accessories

To buy accessories or spare parts, visit **www.shop.philips.com/service** or go to your Philips dealer. You can also contact the Philips Consumer Care Centre in your country (see the worldwide guarantee leaflet for contact details).

8 Recycling

- This symbol on a product means that the product is covered by European Directive 2012/19/EU. Inform yourself about the local separate collection system for electrical and electronic products. Follow local rules and never dispose of the product with normal household waste. Correct disposal of old products helps prevent negative consequences for the environment and human health (Fig. 32).
-

9 Guarantee and support

If you need information or support, please visit **www.philips.com/support** or read the separate worldwide guarantee leaflet.

10 Troubleshooting

This chapter summarises the most common problems you could encounter with the appliance. If you are unable to solve the problem with the information below, visit www.philips.com/support for a list of frequently asked questions or contact the Consumer Care Centre in your country.

The appliance does not work.

- Put the mains plug in the wall socket and press the on/off button on the front of the appliance to switch on the appliance.
- Make sure that the voltage indicated on the appliance corresponds to the local mains voltage.
- Fill the water reservoir with water.
- Close the lid of the grinder funnel.

When I use the grinder, the coffee is too weak.

- Make sure the number of cups you select with the 2-10 cups button is consistent with the amount of water in the water reservoir. Please keep in mind that the coffeemaker uses all the water in the water reservoir.
- Use the strength select button to set the coffee strength to 'strong'.
- When you use coffee beans, make sure you do not press the pre-ground coffee button, as this switches off the grinder.
- Use coffee beans of a stronger blend or flavour.
- Make sure the selected number of cups is consistent with the amount of water in the water reservoir.

When I use pre-ground coffee, the coffee is too weak.

- Make sure the amount of pre-ground coffee in the filter is consistent with the amount of water in the water reservoir. Please keep in mind that the appliance uses all the water in the water reservoir.
- Use ground coffee of a stronger blend or flavour.
- To increase the coffee strength, increase the amount of pre-ground coffee or decrease the amount of water.

The filter overflows when I remove the jug from the appliance while it is brewing coffee.

- If you remove the jug for more than 20 seconds during the brewing process, the drip stop causes the filter basket to overflow. Also note that the coffee does not reach its full taste before the end of the brewing process. Therefore we advise you not to remove the jug and pour out the coffee before the end of the brewing process.

The appliance continues to drip long after the brewing process has ended.

- The dripping is caused by condensation of steam. It is completely normal that the appliance drips for some time.
- If the dripping does not stop, the drip stop may be clogged. To clean the drip stop, pull at the tab of the filter basket holder on the right side of the coffeemaker to open the holder. Take out the filter basket. Then rinse the filter basket and the drip stop under the tap.
- If you remove the jug for more than 20 seconds during the brewing process, the drip stop causes the filter basket to overflow.

The coffee is not hot enough.

- Preheat the jug with hot water before you start brewing coffee.
- The coffee in the jug cools down faster if you brew only a few cups. The coffee stays hot longer if you brew 10 cups, which is a full jug.
- Use thin-walled cups, because they absorb less heat from the coffee than thick-walled cups.
- Do not use milk that comes directly out of the fridge.
- Descale the appliance. See section 'Descaling the coffeemaker' in chapter 'Cleaning and maintenance'.

The coffeemaker does not start cleaning the grinder funnel.

- Make sure that the coffeemaker is connected to the mains.
- Make sure that you open the lid of the grinder funnel before you press and hold the grinder button.
- Press and hold the grinder button for 4 seconds until the grinder starts cleaning itself.

The appliance works but makes a beeping sound.

- Please check if the lid of the grinder funnel is closed properly.

The coffee beans seem to be used up quickly.

- It may look as if the coffee beans are used up quickly. To ensure a perfect cup of coffee, a certain amount of ground coffee is required. The amount of coffee beans the appliance uses to get the perfect amount of ground coffee is normal.

1 Sissejuhatus

Õnnitleme ostu puhul ja tere tulemast kasutama Philipsit! Philipsi tootetoe paremaks kasutamiseks registreerige oma toode saidil www.philips.com/welcome.

2 Üldine kirjeldus (Jn 1)

- 1 Filtrikorv
- 2 Filtrikorvi hoidja
- 3 Veetaseme näidik
- 4 Veenõu kaas
- 5 Ubade konteineri kaas
- 6 Oasalve valiku nupp
- 7 Jämeduse nupp
- 8 Topeltkohvioosalv
- 9 Kohviveski leetri kaas
- 10 Kohviveski leetri kaane lukk
- 11 Vee täiteava
- 12 Ekraan
 - A Jahvatatud kohvi ikoon
 - B Tasside arv
 - C Kohvitassi ikoon
 - D Kohviubade kanguse valimise ikoon
 - E Kanguse valimise nupp
 - F Taimeri nupp
 - G Tunninäidik
 - H Minutinäidik
 - I Taimeri ikoon
- 13 Toitenupp
- 14 Klaasist kannu kaas
- 15 Klaasist kann
- 16 Puhastusharjake

3 Tähtis

Enne seadme kasutamist lugege seda kasutusjuhendit hoolikalt ja hoidke see edaspidiseks alles.

3.1 Oht

- Ärge kastke seadet vette ega muudesse vedelikesse ega loputage seda kraani all.
-

3.2 Hoiatus

- Kontrollige enne sisselülitamist seadme all olevalt andmesildilt, kas kohalik võrgupinge vastab seadme nimipingele.
- Kui toitejuhe on kahjustatud, peab selle ohtlike olukordade vältimiseks uue vastu vahetama Philips, Philipsi volitatud hoolduskeskus või samaväärset kvalifikatsiooni omav isik.
- Seda seadet saavad kasutada lapsed alates 8-ndast eluaastast ning isikud, kellel on vähendatud füüsilised, aistmis või vaimsed võimed või puudulikud kogemused ja teadmised, eeldusel, et nad on järelvalve all või neile on antud juhised seadme ohutuks kasutamiseks ja nad mõistavad sellega kaasnevat ohtusid. Puhastamist ja kasutajapoolset hooldust ei tohi läbi viia lapsed, v.a kui nad on vanemad kui 8 aastased ja järelvalve all. Hoidke seade ja selle juhe alla 8 aastaste laste käeulatuses eemal.
- Lapsed ei tohi seadmega mängida.
- Ärge laske toitejuhtmel rippuda üle laua või tööpinna serva, millel seade seisab.
- Ärge puudutage seadme jahvatuspindu, eriti ajal, mil seade on vooluvõrku ühendatud.
- Hoidke pakkekomponendid (plastkotid, kartongist kaitseraam jne) lastele kättesaamatuna, need ei ole mänguasjad.
- Ärge puudutage töötava masina kuumi pindu.
- Seade on mõeldud kohviubade jahvatamiseks ja kohvi valmistamiseks. Kasutage seda õigesti ja hoolikalt, et vältida enda kõrvetamist kuuma vee ja auruga.
- Ärge tühjendage veenõud seadet kallutades, sest see võib seadet kahjustada. Tühjendage veenõud üksnes loputusjuhiseid järgides.

- Ärge kasutage seadet, kui selle pistik, toitejuhe või seade ise on kahjustatud.
- Kui ilmneb mõni probleem, mida ei saa selle kasutusjuhendi abil lahendada, võtke ühendust oma riigis asuva klienditeeninduskeskusega. Kui probleemi ei suudeta lahendada, viige seade kontrolliks ja remondiks Philipsi volitatud teeninduskeskusesse, vastasel korral kaotab garantii kehtivuse.

3.3 Ettevaatust

- Ärge pange seadet tulisele pinnale ning vältige toitejuhtme kokkupuudet tuliste pindadega.
- Tõmmake pistik kohvi jahvatamisel või valmistamisel tekkinud probleemide korral ning enne seadme puhastamist pistikupesast välja.
- Ärge liigutage seadet töötamise ajal.
- Seade läheb kasutamise ajal kuumaks. Laske seadmel enne hoiulepanekut maha jahtuda.
- Keetmise ajal lähevad seadme alumine osa ja kannu põhi kuumaks.
- Pärast seadme lahtipakkumist kontrollige, kas see on tarnitud koos kõigi osadega ning kahjustamata. Kahtluste korral ärge kasutage seadet, vaid võtke ühendust oma riigi klienditeeninduskeskusega.
- Seade on mõeldud üksnes tavapäraseks kodukasutuseks. See pole mõeldud kasutamiseks kaupluste, kontorite, talumajapidamiste ega muude töökeskkondade töötajate köökides. Samuti pole see mõeldud klientidele kasutamiseks hotellides, motellides, öömajades ega teistes majutusasutustes.

3.4 Elektromagnetväljad (EMF)

See Philipsi seade vastab kõikidele kokkupuudet elektromagnetiliste väljadega käsitlevatele kohaldatavatele standarditele ja õigusnormidele.

4 Enne esimest kasutamist

4.1 Kella seadistamine

- 1 Pange pistik pistikupesassa.
 - *Näidikul vilgub 00:00, näidates, et peate seadistama kellaaja.*
- 2 Tunni seadistamiseks keerake nuppu (Jn 2).
- 3 Tunni kinnitamiseks vajutage nupu keskosa (Jn 3).
 - *Minutid hakkavad vilkuma, näidates, et peate seadistama minutid.*
- 4 Minutite seadistamiseks keerake nuppu (Jn 4).
- 5 Minutite kinnitamiseks vajutage nupu keskosa (Jn 5).
- 6 Ekraanil näidatakse seatud kellaega. Kohvimasin on kasutamiseks valmis.

4.2 Automaatse väljalülitusaja seadistamine

Saate seadistada ajavahemiku, mille möödumisel seade lülitub automaatselt välja. Vaikimisi on aeg 30 minutit. Saate selleks ajaks seadistada kuni 120 minutit. Kui soovite automaatset väljalülitusaega seadistada, toimige alljärgnevalt.

- 1 Veenduge, et seade oleks välja lülitatud (kuid pistik on pistikupesas).
- 2 Vajutage ja hoidke all nupu keskosa, kuni näidik hakkab vilkuma.
- 3 Aja suurendamiseks või vähendamiseks keerake nuppu. 1 on 10 minutit, 2 on 20 minutit, 3 on 30 minutit jne, kuni 12 on 120 minutit.
- 4 Minutite kinnitamiseks vajutage nupu keskosa.

Märkus:

seade salvestab alati viimati kasutatud seadistuse.

4.3 Seadme loputamine

Enne esimest kasutamist tuleb kohvimasinat üks kord loputada.

- 1 Avage veenõu kaas. Täitke veenõu puhta külma veega **kuni 8 tassi märgini**. (Jn 6)

Märkus:

Ärge pange seadmesse kohviube ega jahtavatud kohvi.

- 2 Sulgege veenõu kaas.
- 3 Asetage kann seadmesse (Jn 7).
- 4 Vajutage sisse-/väljalülitamise nuppu (Jn 8).
 - **Ekraan läheb heledaks.**
- 5 Vajutage kanguse valimise nuppu (Jn 9).
- 6 Jahvatatud kohvi seadistuse valimiseks keerake nuppu (Jn 10).
 - **Süütib jahvatatud kohvi ikoon.**
- 7 Kinnitamiseks vajutage nupu keskosa. Seejärel vajutage loputusprotsessi alustamiseks uuesti nupu keskosa (Jn 11).
- 8 Laske seadmel töötada, kuni loputamisprotsess on lõppenud.
- 9 Tühjendage kann.

5 Seadme kasutamine

5.1 Veenõu täitmine

- 1 Avage veenõu kaas ja täitke veenõu vajaliku koguse külma veega. (Jn 6)
Veenõu kaane avamisel on seadme sisemuses näha tähised 2-10 tassile. Nende tähiste abil saab määrata, kui palju vett veepaaki valada. Peegeldus muutub heledast tumedaks vastavalt veega täidetud tassidele. Võite kasutada ka kannu veetaseme näidikut.

Märkus:

Ärge valage veenõusse vett üle 10 tassi tähise.

5.2 Kohviubade kasutamine

Hoiatus.

Kohvioasalve kohviubadega täitmise ajal hoidke veenõu kaas alati kinni. Vastasel juhul võivad kohvioad veenõusse kukkuda ja vee sissevooluava ummistada.

- 1 Eemaldage oasalve kaas. (Jn 12)
- 2 Täitke topeltkohvioasalv kohviubadega. Võite täita topeltkohvioasalve kahte erinevat tüüpi kohviubadega. Veenduge, et salves on soovitud kohvikoguse valmistamiseks piisavalt kohviube (Jn 13).

Märkus:

veenduge alati, et oasalv on vähemalt pooleldi täidetud.

Hoiatus.

Et vältida jahvataja ummistust, ärge kasutage röstimata või karamelliseeritud ube. Soovitame kasutada kohviube espressoubade asemel, sest need võivad põhjustada kahjustusi.

- 3 Filtrikorvi hoidja avamiseks tõmmake kohvimasina paremal küljel olevast sakist (Jn 14).
- 4 Võtke paberfilter (tüüp 1x4 või nr 4) ja murdke kinnitatud nurgad ära, et vältida filtri rebenemist ning kortsumist. Asetage filtrikorvi paberfilter. (Jn 15)

- 5 Sulgege filtrikorvihoidik.
- 6 Asetage kann seadmesse. (Jn 7)
- 7 Soovitud jahvatusastme (peenest jämedani) valimiseks keerake jahvatuse jämeduse nuppu. (Jn 16)

Nõuanne.

Jahvatuse jämeduse nupp võimaldab teil valida üheksa erineva seadistuse vahel. Me oleme eelnevalt välja valinud kolm optimaalset seadistust, kuid võite valida ka ikoonide vahel. Soovitame katsetada erinevate jahvatusastmetega, et leida endale sobivaim.

- 8 Kaht tüüpi kohviubade vahel valimiseks keerake oasalve valikunuppu (Jn 17).

Hoiatus.

Kohvioasalvede või kohviubade vahetamisel jäävad eelnevalt jahvatatud kohviubadest alati järele jäljed. Selle ärahoidmiseks puhastage kohvikohviveski lehter uue kohviubade tüübi valimise järel.

Märkus:

sõltuvalt oma eelistustest saate valida ühe kahest kohviubade tüübist või segu mõlemast tüübist.

- 9 Vajutage seadme esiküljel olevat toitenuppu (Jn 8).
 - *Tasside arv hakkab vilkuma.*
- 10 Tasside arvu valimiseks keerake nuppu, kuni ekraanile ilmub soovitud tasside arv (Jn 18).

Märkus:

Veenduge, et tassivaliku nupuga 2-10 CUPS valitud tasside arv vastab veenõus olevale veele. Palun pidage meeles, et kohvimasin kasutab ära kogu veenõus oleva vee. Kui valisite tasside arvu, mis on väiksem kui veenõus oleva vee maht, saate soovitud lahjema kohvi.

- 11 Tasside arvu kinnitamiseks vajutage nupu keskosa.
- 12 Vajutage kanguse valimise nuppu. (Jn 9)
 - *Kohviubade ikoonid hakkavad vilkuma.*
- 13 Soovitud kanguse valimiseks keerake nuppu (mahe - üks uba, keskmine - kaks uba või kange - kolm uba) (Jn 10).
 - *Ekraanile ilmub valitud kohvikangus.*

Nõuanne.

Endale sobivaima kanguse leidmiseks soovitame katsetada veekogusega. Kui valitud tasside arv on suurem kui veekogus, tuleb kohv kangem. Kui valitud tasside arv on väiksem kui veekogus, tuleb kohv lahjem.

- 14 Kinnitamiseks vajutage nupu keskosa. Seejärel vajutage valmistamisprotsessi alustamiseks uuesti nupu keskosa (Jn 19).
 - *Kohviveski jahvatab vajaliku koguse kohviube.*
- 15 Enne kannu eemaldamist oodake, kuni kohvimasin on kohvi valmistamise lõpetanud.

Märkus:

Pärast valmistamise lõppu tilgub kohv veel mitu sekundit filtrikorvist välja.

5.3 Jahvatatud kohvi kasutamine

Kui soovite kohviubade asemel kasutada jahvatatud kohvi, toimige alljärgnevalt.

- 1 Avage veenõu kaas ja täitke veenõu vajaliku koguse külma veega. (Jn 6)
- 2 Filtrikorvi hoidja avamiseks tõmmake kohvimasina paremal küljel olevast sakist (Jn 14).
- 3 Võtke paberfilter (tüüp 1x4 või nr 4) ja murdke kinnitatud nurgad ära, et vältida filtri rebenemist ning kortsumist. Asetage filtrikorvi paberfilter (Jn 15).
- 4 Asetage jahvatatud kohv paberfiltrisse.

Märkus:

saate kohvi kangust vastavalt oma isiklikule maitsele reguleerida. Tassitäie keskmise kangusega kohvi saamiseks pange üks mõõtlusikatäis (umbes 6 g) jahvatud kohvi iga tassi (120 ml) kohta. Kangema kohvi saamiseks pange 1,5 mõõtlusikatäit jahvatatud kohvi iga kohvitassi kohta.

- 5 Sulgege filtrikorvihoidik.
- 6 Asetage kann seadmesse (Jn 7).
- 7 Vajutage sisse-/väljalülitamise nuppu (Jn 8).
 - *Ekraan läheb heledaks.*
- 8 Vajutage kanguse valimise nuppu (Jn 9).
- 9 Jahvatatud kohvi seadistuse valimiseks keerake nuppu (Jn 10).
 - *Süttib jahvatatud kohvi ikoon.*

10 Kinnitamiseks vajutage nupu keskosa. Seejärel vajutage valmistamisprotsessi alustamiseks uuesti nupu keskosa (Jn 11).

11 Enne kannu eemaldamist oodake, kuni kohvimasin on kohvi valmistamise lõpetanud.

Märkus:

Pärast valmistamise lõppu tilgub kohv veel mitu sekundit filtrikorvist välja.

5.4 Taimeri seadistamine

Taimer võimaldab teil programmeerida aega, millal soovite valmistamisprotsessi alustada. Veenduge, et enne taimeri seadistamist viiakse läbi kõik kohvi valmistamisetapid nii jahvatatud kohvi kui ka kohviubadega.

- 1** Vajutage taimeri nupule. (Jn 20)
 - **Näidikul vilgub 00:00, näidates, et peate seadistama taimeri.**
- 2** Tunni seadistamiseks keerake nuppu (Jn 21).
- 3** Tunni kinnitamiseks vajutage nupu keskosa (Jn 22).
 - **Minutid hakkavad vilkuma, näidates, et peate seadistama minutid.**
- 4** Minutite seadistamiseks keerake nuppu (Jn 23).
- 5** Minutite kinnitamiseks vajutage nupu keskosa (Jn 24).
 - **Taimer on seadistatud ja valmistamisprotsess algab eelnevalt määratud ajal.**

5.5 Tilgaluku funktsioon

Tilgaluku abil saate kannu enne kohvivalmistamise lõppu kohvimasinast eemaldada. Kannu eemaldamisel takistab tilgalukk kohvil kannu voolamast.

Märkus:

kannu eemaldamisel valmistamisprotsess ei lõpe. Kui te ei pane kannu 20 sekundi jooksul seadmesse tagasi, hakkab filtrikorv üle ajama.

6 Puhastamine ja hooldus

6.1 Puhastamine pärast iga kasutuskorda

Hoiatus.

Ärge kastke seadet vette ega muudesse vedelikesse ega loputage seda kraani all.

- 1** Seadme väljalülitamiseks vajutage seadme esiküljel olevat toitenuppu. (Jn 25)
- 2** Tõmmake pistik pistikupesast välja.
- 3** Puhastage kohvimasina välispinda niiske lapiga (Jn 26).
- 4** Puhastage filtrikorv ja kann nõudepesumasinas või kuuma vee ja vähese nõudepesuvahendiga.

6.2 Kohviveski lehtri puhastamine

Kohvioasalvede või kohviubade vahetamisel jäävad eelnevalt jahvatatud kohviubadest alati järele jäljed, mis võivad mõjutada kohvi maitset. Puhastage kohvioalehtrit iga 1-2 nädala järel või kohvioasalvede vahetamisel, et vältida värskest jahvatatud kohvi ja kohvioalehtri järelejäänud kohvi segunemist. Kui valite uue kohvioatüübi, järgige parima maitse tagamiseks allpool kirjeldatud samme.

- 1** Seadme väljalülitamiseks vajutage seadme esiküljel olevat toitenuppu (Jn 25).
- 2** Filtrikorvi hoidja avamiseks tõmmake kohvimasina paremal küljel olevast sakist (Jn 14).
- 3** Võtke paberfilter (tüüp 1x4 või nr 4) ja murdke kinnitatud nurgad ära, et vältida filtri rebenemist ning kortsumist. Asetage filtrikorvi paberfilter. (Jn 15)
- 4** Sulgege filtrikorvihoidik.
- 5** Kohviveski lehtri kaane avamiseks pistke puhastusharja käepideme lapik ots luku sisse ja suruge seda allapoole (Jn 27).

Märkus:

kui soovite kohvioletrit üksnes kiiresti harjaga puhastada, jätkake etapiga 7. Kui soovite vältida seda, et jahvatatud kohvi jäljed mõjutaksid teie uute kohviubade maitset, jätkake etapiga 6.

- 6** Vajutage ja hoidke kanguse valimise nuppu nelja sekundi jooksul all (Jn 28).
 - *Jahvataja hakkab ennast ise puhastama.*
- 7** Kui jahvataja on lõpetanud puhastamise, pühkige jahvatatud kohvi jäägid puhastusharjaga lehtri alumisse ossa (Jn 29).
 - *Jahvatatud kohvi jäägid langevad filtrikorvi.*

Hoiatus.

Ärge laske harjal kohviveski lehtrisse kukkuda.

- 8** Sulgege kohviveski lehtri kaas.
- 9** Eemaldage jahvatatud kohvi jääke sisaldav paberfilter ja visake see ära.

6.3 Katlakivi eemaldamine kohvimasinast

Eemaldage kohvimasinast katlakivi, kui märkate liigset auru või kui kohvikeetmise aeg pikeneb. Soovitav on eemaldada katlakivi iga kahe kuu tagant. Kasutage katlakivi eemaldamiseks ainult valget äädikat, sest muud tooted võivad kohvimasinat kahjustada.

Hoiatus.

Kahjustuste ärahoidmiseks ärge kunagi kasutage katlakivi eemaldamiseks 8% või suurema äädikhappe sisaldusega äädikat, looduslikku äädikat, pulbrilist katlakivieemaldajat või katlakivieemaldamise tabletti.

- 1** Avage veenõu kaas.
- 2** Täitke veenõu kaheksa tassitäie valge äädika (4% äädikhapet) ja kahe tassitäie veega (Jn 6).
- 3** Asetage filtrikorvi paberfilter (nr 4) ja sulgege filtrikorvihoidik (Jn 15).
- 4** Asetage tühi kann seadmesse (Jn 7).
- 5** Pange pistik pistikupessa.
- 6** Seadme sisselülitamiseks vajutage seadme esiküljel olevat toitenuppu (Jn 8).
 - *Ekraan läheb heledaks.*

- 7** Jahvatatud kohvi seadistuse valimiseks vajutage kanguse valimise nuppu ja keerake nuppu (Jn 10).
- 8** Kinnitamiseks vajutage nupu keskosa. Seejärel vajutage valmistamisprotsessi alustamiseks uuesti nupu keskosa (Jn 11).
- 9** Oodake, kuni pool äädika ja vee lahusest on kannu voolanud. Seejärel vajutage valmistamisprotsessi lõpetamiseks toitenuppu ja laske lahusel vähemalt 15 minutit seista (Jn 30).
- 10** Seadme uuesti sisselülitamiseks vajutage toitenuppu (Jn 8).
- 11** Vajutage üks kord nupu keskosale, et lasta seadmel kohvivalmistamisprotsess lõpetada (Jn 31).
- 12** Tühjendage kann ja visake paberfilter minema.
- 13** Täitke veenõu külma veega ja vajutage nupu keskosa kaks korda uue kohvivalmistamisprotsessi alustamiseks. Laske kohvimasinal terve valmistamisprotsess läbi teha ja tühjendage kann.
- 14** Korrake etappi 13, kuni veel pole enam äädika maitset ega lõhna.
- 15** Puhastage filtrikorvi ja kann nõudepesumasinas või kuuma vee ja vähese nõudepesuvahendiga.
- 16** Seadme väljalülitamiseks vajutage seadme esiküljel olevat toitenuppu.

7 Tarvikute tellimine

Tarvikute või varuosade ostmiseks külastage veebilehte **www.shop.philips.com/service** või pöörduge oma Philipsi edasimüüja poole. Võite samuti ühendust võtta oma riigi Philipsi klienditeeninduskeskusega (vt kontaktandmeid üleilmselt garantiilehel).

8 Ringlussevõtt

- See tootel olev sümbol tähendab, et tootele kehtib Euroopa Liidu direktiiv 2012/19/EL. Viige ennast kurssi elektriliste ja elektrooniliste toodete lahuskogumise kohaliku süsteemiga. Järgige kohalikke eeskirju ja ärge visake seda toodet tavaliste olmejäätmete hulka. Kasutatud toodete õigel viisil kasutusest kõrvaldamine aitab ära hoida võimalikke kahjulikke tagajärgi keskkonnale ja inimese tervisele (Jn 32).

9 Garantii ja tugi

Kui vajate teavet või abi, külastage Philipsi veebilehte www.philips.com/support või lugege läbi üleilmne garantiileht.

10 Veatsing

Selles peatükis võetakse kokku kõige levinumad probleemid, mis seadmega juhtuda võivad. Kui te ei suuda alljärgneva teabe abil ise probleemi lahendada, külastage veebilehte www.philips.com/support, kus on loetelu korduma kippuvatest küsimustest, või võtke ühendust oma riigi klienditeeninduskeskusega.

Seade ei tööta.

- Pange pistik pistikupessa ja vajutage seadme sisselülitamiseks seadme esiküljel olevat toitenuppu.
- Kontrollige, et seadmele märgitud pinge vastab kohaliku elektrivõrgu pingele.
- Täitke veenõu veega.
- Sulgege kohviveski lehtri kaas.

Kohviveskit kasutades tuleb kohv liiga lahja.

- Veenduge, et tassivaliku nupuga 2-10 CUPS valitud tasside arv vastab veepaagis olevale veekogusele. Palun arvestage, et kohvimasin kasutab ära kogu veepaaki valatud vee.
- Määrake kanguse valiku nupuga kohvi tugevuseks „kange”.
- Kohviubade kasutamisel veenduge, et te ei vajuta jahvatatud kohvi nuppu, sest see lülitab kohviveski välja.
- Kasutage kangemaid või tugevama maitsega kohviube.
- Veenduge, et valitud tasside arv vastab veenõus olevale veekogusele.

Jahvatatud kohvi kasutamisel tuleb kohv liiga lahja.

- Veenduge, et filtris oleva eelnevalt jahvatatud kohvi kogus vastab veenõus olevale veekogusele. Palun arvestage, et seade kasutab ära kogu veenõusse valatud vee.
- Kasutage kangemat või tugevama maitsega jahvatatud kohvi.
- Kangema kohvi saamiseks suurendage jahvatatud kohvi kogust või vähendage vee kogust.

Kui ma eemaldan kohvikeetmise ajal seadmest kannu, tekib filtrist ülevool.

- Kui eemaldate kannu keetmistsükli ajal kauemaks kui 20 sekundiks, põhjustab tilgalukk filtrihoidjas ülevoolu. Arvestage, et kohv ei saavuta enne keetmistsükli lõppu täielikku maitset. Seetõttu soovitame enne keetmistsükli lõppu kannu mitte eemaldada ega kohvi välja valada.

Seade tilgub edasi veel kaua pärast keetmisprotsessi lõppemist.

- Tilkumist põhjustab auru kondensatsioon. On täiesti normaalne, et pärast kohvikeetmise tsükli lõppemist tilgub seade mõnda aega.
- Kui tilkumine ei lakka, võib tilgalukk olla ummistunud. Tilgaluku puhastamiseks tõmmake kohvimasin paremal küljel oleva filtrikorvi hoidja sakist, et avada hoidja. Võtke filtrikorv välja ja loputage seda ja tilgalukku voolava vee all.
- Kui eemaldate kannu keetmisprotsessi ajal kauemaks kui 20 sekundit, põhjustab tilgalukk filtrikorvis ülevoolu.

Kohv ei ole piisavalt kuum.

- Enne kohvikeetmist eelsoojendage kannu alati kuuma veega.
- Kohv jahtub kannus kiiremini, kui keedate ainult mõne tassi kohvi. Kohv püsib kauem kuumana, kui keedate 10 tassi ehk kannutäie kohvi.
- Kasutage õhukesti tasse, sest need neelavad kohvist vähem kuumust kui paksuseinalised tassid.
- Ärge kasutage äsja külmkapist võetud piima.
- Puhastage seade katlakivist. Vt lõiku „Katlakivi eemaldamine kohvimasinast” peatükis „Puhastamine ja hooldus”.

Kohvimasin ei hakka kohviveski lehtrit puhastama.

- Veenduge, et kohvimasin on elektrivõrku ühendatud.
- Veenduge, et avate kohviveski lehtri kaane enne kui vajutate ja hoiate all kohviveski nuppu.
- Vajutage ja hoidke kohviveski nuppu all nelja sekundi vältel, kuni kohviveski hakkab ise puhastama.

Seade töötab, kuid piiksub.

- Palun kontrollige, kas kohviveski lehtri kaas on korralikult suletud.

Tundub, et kohvioad kasutati kiiresti ära.

- Teile võib tunduda, et kohvioad kasutati kiiresti ära. Täiusliku tassitäie kohvi saamiseks on nõutav kindel jahvatatud kohvi kogus. Kohviubade kogus, mida seade kasutab täiusliku jahvatatud kohvi saamiseks, on normaalne.

1 Кіріспе

Өнімді сатып алуыңызбен құттықтаймыз және Philips компаниясына қош келдіңіз! Philips компаниясы ұсынатын қолдауды толығымен пайдалану үшін өніміңізді www.philips.com/welcome веб-бетінде тіркеніз.

2 Жалпы сипаттама (Сурет 1)

- 1 Сүзгі себеті
- 2 Сүзгі себетінің ұстағышы
- 3 Су деңгейінің көрсеткіші
- 4 Су ыдысының қақпағы
- 5 Дән ыдысының қақпағы
- 6 Контейнер таңдағыш
- 7 Түйірлік тұтқасы
- 8 Кофе дәнінің дүзттік контейнері
- 9 Ұсақтағыш түтігінің қақпағы
- 10 Ұсақтағыш түтігінің қақпағын құлыптау
- 11 Су құятын тесігі
- 12 Дисплей
 - A Алдын ала ұнтақталған кофе белгішесі
 - B Шыны-аяқ саны
 - C Кофе шыны-аяқ белгішесі
 - D Кофе дәнінің қоюлығын таңдау белгішесі
 - E Қоюлығын таңдау түймесі
 - F Таймер түймесі
 - G Сағат көрсеткіші
 - H Минут көрсеткіші
 - I Таймер белгішесі
- 13 Қосу/өшіру түймесі
- 14 Шыны құмыра қақпағы
- 15 Шыны құмыра
- 16 Щетка

3 Маңызды

Құралды қолданбас бұрын, осы пайдаланушы нұсқаулығын мұқият оқып шығып, болашақта анықтамалық құрал ретінде пайдалану үшін сақтап қойыңыз.

3.1 Қауіпті жағдайлар

- Құрылғыны суға немесе басқа сұйықтықтарға батыруға және ағынды судың астында жууға болмайды.

3.2 Абайлаңыз!

- Құрылғыны қосар алдында, құрылғыда көрсетілген кернеу жергілікті желідегі кернеуге сәйкес келетіндігін тексеріп алыңыз.
- Қуат сымы зақымданған болса, қауіпті жағдай орын алмауы үшін, оны тек Philips компаниясында, Philips мақұлдаған қызмет орталығында немесе білікті мамандар ауыстыруы керек.
- Құралды қауіпсіз пайдалану жөніндегі нұсқаулар беріліп, басқа біреу қадағалаған және құралды пайдалануға қатысты қауіп-қатерлер түсіндірілген жағдайда, осы құралды 8 жасқа толған балалар және физикалық мүмкіндігі мен ойлау, сезу қабілеті шектеулі, білімі мен тәжірибесі аз адамдар пайдалана алады. 8 жасқа толмаған балалар ересектің қадағалауынсыз тазалау және техникалық қызмет көрсету жұмыстарын жүргізбеуі тиіс. Құрал мен оның сымын 8 жасқа толмаған балалардың қолы жетпейтін жерге қойыңыз.
- Балалар құралмен ойнамауы керек.
- Ток сымы үстел жиегінен немесе құрал жұмыс жасап жатқан беттің жиегінен салбырап тұрмауы тиіс.
- Құралдың ұнтақтау бөлігін, әсіресе ол тоққа қосулы кезінде ұстамаңыз.
- Орауыш материалдарды (пакетті, картон буферді, т.б.) балалардан алшақ қойыңыз. Олар ойыншық емес.
- Жұмыс істеп тұрған кезде құралдың ыстық бөліктерін ұстамаңыз.
- Бұл құрал дәндерді ұнтақтап, кофе дайындау үшін жасалған. Ыстық су немесе буға күйіп қалуын болдырмау үшін оны мақсаты бойынша және күтіммен қолданыңыз.

- Құралды қисайту арқылы су ыдысын босатпаңыз, бұл құралды зақымдауы мүмкін. Су ыдысын тек нұсқау болғанда босатыңыз.
- Штепсельдік ұшы, қуат сымы немесе өзі зақымданған болса, құралды қолданбаңыз.
- Осы пайдаланушы нұсқаулығын қолданып шешуге келмейтін мәселе пайда болса, өз еліңіздегі Тұтынушыларға қолдау көрсету орталығына хабарласыңыз. Егер мәселе шешілмесе, құралды тексеру және жөндеу үшін Philips компаниясының рұқсаты бар қызмет көрсету орталығына апарыңыз. Құралды өзіңіз жөндеуге тырыспаңыз, әйтпесе кепілдік жарамсыз болады.

3.3 Абайлаңыз

- Құралды ыстық бетке қоймаңыз және ток сымының ыстық бетіне тиюін болдырмаңыз.
- Үгіту немесе демдеу кезінде ақаулық пайда болса және тазалауды бастамас бұрын, құралды қуаттан ажыратыңыз.
- Жұмыс істеп жатқан кезде құралды жылжытпаңыз.
- Құрал пайдалану барысында ыстық болады. Сақтамас бұрын құралды суытып алыңыз.
- Кофені демдеп жатқанда, құралдың төменгі бөлігі мен құманының асты ысып кетеді.
- Құралды орауынан шығарған соң, оның бүтін және зақымдалмағанын тексеріңіз. Егер күмәніңіз болса, құралды пайдаланба, өз еліңіздегі Тұтынушыларға қолдау көрсету орталығына хабарласыңыз.
- Бұл құрал тек үйде пайдалануға арналған. Дүкен, кеңсе, ферма сияқты жұмыс орындарының асханасы сияқты орталарда қолдануға жараммайды. Қонақ үй, мотель, жатақ пен таңғы ас берілетін орындар, басқа да тұрғылықты орталарда қолдануға да болмайды.

3.4 Электромагниттік өрістер (ЭМӨ)

Осы Philips құрылғысы электромагниттік өрістерге қатысты барлық қолданыстағы стандарттар мен ережелерге сәйкес келеді.

4 Бірінші рет пайдалану алдында

4.1 Сағат уақытын қою

- 1 Штепсельдік ұшты қабырғадағы розеткаға қосыңыз.
 - *Дисплейде «00:00» жыпылықтап, уақытты орнату керектігін көрсетеді.*
- 2 Сағатты орнату үшін тұтқаны бұраңыз (Сурет 2).
- 3 Сағатты растау үшін тұтқаның ортасын басыңыз (Сурет 3).
 - *Минутты орнату керектігін көрсету үшін минуттар жыпылықтай бастайды.*
- 4 Минутты орнату үшін тұтқаны бұраңыз (Сурет 4).
- 5 Минутты растау үшін тұтқаның ортасын басыңыз (Сурет 5).
- 6 Дисплейде орнатылған уақыт көрсетіледі. Кофе демдегіш пайдалануға дайын.

4.2 Автоматты түрде өшіру уақытын орнату

Құрылғы автоматты түрде өшетін уақытта реттеуге болады. Әдепкі уақыт 30 минутқа орнатылады. Бұл уақытты ең көбі 120 минутқа реттеуге болады. Егер автоматты түрде өшіру уақытын реттеу керек болса, төмендегі қадамдарды орындаңыз.

- 1 Құрылғы өшірілген (бірақ аша розеткада) екенін тексеріңіз.
- 2 Дисплей жыпылықтай бастағанша тұтқаның ортасын басып тұрыңыз.
- 3 Уақытты арттыру немесе азайту үшін тұтқаны бұрыңыз. 1 — 10 минут, 2 — 20 минут, 3 — 30 минут және осылай 12 — 120 минут болғанша.
- 4 Минутты растау үшін тұтқаның ортасын басыңыз.

Ескертпе.

Құрылғы әрқашан соңғы параметрді сақтайды.

4.3 Құралды шаю

Бірінші рет қолданбас бұрын, кофе демдегішті шайып алу керек.

- 1 Су ыдысының қақпағын ашыңыз. Су ыдысына **8 шыны-аяқ көрсеткішіне жеткенше** таза, салқын су құйыңыз. (Сурет 6)

Ескертпе.

Құралдың ішіне кофе дәндерін немесе ұнтақталған кофе салмаңыз.

- 2 Су ыдысының қақпағын жабыңыз.
- 3 Құмыраны құралға орнатыңыз (Сурет 7).
- 4 Қосу/өшіру түймесін басыңыз (Сурет 8).
 - *Дисплей жанады.*
- 5 Қоюлығын таңдау түймесін басыңыз (Сурет 9).
- 6 Алдын ала ұнтақталған кофе параметрін таңдау үшін тұтқаны бұраңыз (Сурет 10).
 - *Алдын ала ұнтақталған кофе белгішесі жанады.*
- 7 Растау үшін тұтқаның ортасын басыңыз. Содан кейін шаю процесін бастау үшін тұтқаның ортасын қайта басыңыз (Сурет 11).
- 8 Шаю процесі аяқталғанша құралды жұмыс істетіңіз.
- 9 Құмыраны босатыңыз.

5 Құрылғыны пайдалану

5.1 Суға арналған сыйымдылыққа су толтыру

- 1 Су ыдысы қақпағын ашып, су ыдысын талап етілген көлемдегі салқын су көлемімен толтырыңыз. (Сурет 6)
Су ыдысының қақпағын ашқанда құрылғы ішінде 2 - 10 шыныаяқ көрсеткіштері болады. Бұл көрсеткіштерді су ыдысына қанша су құю керек екенін анықтау үшін пайдалануға болады. Толтырылған су шыныаяғына сай көрсеткіш ашықтан күңгіртке қарай өзгереді. Сондай-ақ, саптыаяқтағы су деңгейінің көрсеткішін пайдалануға болады.

Ескертпе.

Су ыдысына 10 шыны-аяқ көрсеткішінен артық су толтырмаңыз.

5.2 Кофе дәндерін пайдалану

Абайлаңыз!

Кофе дәндерін салатын ыдысты кофе дәндерімен толтырған кезде, су ыдысының қақпағы әрқашан жабық болсын. Әйтпесе, кофе дәндері су ыдысына түсіп кетіп, су ағатын тесіктерді бітеуі мүмкін.

- 1 Кофе дәні контейнерінің қақпағын алып тастаңыз. (Сурет 12)
- 2 Кофе дәні дуэттік контейнерін кофе дәндерімен толтырыңыз. Кофе дәні дуэттік контейнерін екі түрлі кофе дәндерімен толтыруға болады. Демдегіңіз келген кофе көлемі үшін контейнерде кофе дәндерінің жеткілікті екенін тексеріңіз (Сурет 13).

Ескертпе.

Кофе дәні контейнері әрқашан кем дегенде жартылай толы болуын тексеріңіз.

⚠ Абайлаңыз!

Ұнтақтағыштың сыналануын болдырмау үшін құрылмаған немесе карамельденген дәндерді пайдаланбаңыз. Біз эспрессо дәндерінің орнына кофе дәндерін пайдалануды ұсынамыз, өйткені ол зақымдануға әкелуі мүмкін.

- 3 Сүзгі себеті ұстағышын ашу үшін кофе демдегіштің оң жағындағы оның құлақшасынан тартыңыз (Сурет 14).
- 4 Жыртылуды және бүктелуді болдырмау үшін қағаз сүзгісін алып (1x4 түрін немесе № 4), жапсырылған шеттерін бүктеңіз. Қағаз сүзгісін сүзгі себетіне орналастырыңыз. (Сурет 15)
- 5 Сүзгі себетінің ұстағышын жабыңыз.
- 6 Құмыраны құралға орнатыңыз. (Сурет 7)
- 7 Қажетті ұнтақтау түрін таңдау үшін түйірлік тұтқасын бұраңыз (ұсақ түйірден ірі түірге дейін). (Сурет 16)

*** Кеңес:**

Түйірлік тұтқасы тоғыз түрлі орнату параметрлерінің ішінен таңдауға мүмкіндік береді. Біз 3 тиімді орнату параметрлерін алдын ала таңдап қойдық, дегенмен сіз белгішелер арасынан кез келген параметрді таңдай аласыз. Өзіңізге лайықты параметрді анықтау үшін әр түрлі ұнтақтау параметрлерімен эксперимент жасап көруге кеңес береміз.

- 8 Екі түрлі кофе дәндерінің арасынан таңдау үшін контейнер таңдағышты бұраңыз (Сурет 17).

⚠ Абайлаңыз!

Әрдайым кофе дәні контейнерлерінің немесе кофе дәндерінің арасында ауысқанда, әрқашан алдыңғы кофе дәндерінің ұнтақтау түрінен қалған ізі болады. Мұны болдырмау үшін кофе дәнінің жаңа түріне ауысқан кезде ұсақтағыш түтігін тазалаңыз.

⊖ Ескертпе.

Талғамыңызға қарай екі түрлі кофе дәндерінің бір немесе екі түрінің қосындысын таңдай аласыз.

- 9 Құралдың алдындағы қосу/өшіру түймесін басыңыз (Сурет 8).

- *Шыны-аяқ саны жыпылықтай бастайды.*

- 10 Шыны-аяқ санын таңдау үшін қажетті шыны-аяқ саны дисплейде көрсетілгенше тұтқаны бұраңыз (Сурет 18).

⊖ Ескертпе.

2-10 шыны аяқ түймесімен таңдалған шыны аяқ саны су ыдысындағы су көлеміне сәйкес екенін тексеріңіз. Кофе демдегіш су ыдысындағы барлық суды пайдаланатынын есте сақтаңыз. Су көлемінен азырақ шыны аяқ санын таңдасаңыз, кофе күткендегіден сұйықтау болады.

- 11 Шыны-аяқ санын растау үшін тұтқаның ортасын басыңыз.
- 12 Қоюлығын таңдау түймесін басыңыз. (Сурет 9)

- *Кофе дәні белгішелері жыпылықтай бастайды.*

- 13 Қажетті кофе қоюлығын таңдау үшін тұтқаны бұраңыз (жұмсақ; 1 дән, орташа; 2 дән немесе қою; 3 дән) (Сурет 10).

- *Таңдалған кофенің қоюлық деңгейі дисплейде көрсетіледі.*

*** Кеңес:**

Кофенің қандай қоюлығы сізге ұнайтынын білу үшін су көлемімен эксперимент жасап көруге кеңес береміз. Егер су көлемінен жоғары шыны-аяқ санын таңдасаңыз, кофе қоюлау болады. Егер су көлемінен аздау шыны-аяқ санын таңдасаңыз, кофе сұйықтау болады.

- 14 Растау үшін тұтқаның ортасын басыңыз. Содан кейін демдеу процесін бастау үшін тұтқаның ортасын қайта басыңыз (Сурет 19).

- *Ұнтақтағыш қажетті кофе дәндерінің мөлшерін ұнтақтайды.*

- 15 Құмыраны шығармай тұрып, кофе демдегіш демдеуді тоқтатқанын күтіңіз.

⊖ Ескертпе.

Демдеп болғаннан кейін кофе сүзгі себетінен бірнеше секунд тамшылап тұрады.

5.3 Алдын ала ұнтақталған кофені пайдалану

Кофе дәндерінің орнына алдын ала ұнтақталған кофе пайдаланғыңыз келсе, төмендегі қадамдарды орындаңыз.

- 1 Су ыдысы қақпағын ашып, су ыдысын талап етілген көлемдегі салқын су көлемімен толтырыңыз. (Сурет 6)
- 2 Сүзгі себеті ұстағышын ашу үшін кофе демдегіштің оң жағындағы оның құлақшасынан тартыңыз (Сурет 14).
- 3 Жыртылуды және бүктелуді болдырмау үшін қағаз сүзгісін алып (1x4 түрін немесе № 4), жапсырылған шеттерін бүктеніз. Қағаз сүзгісін сүзгі себетіне орналастырыңыз (Сурет 15).
- 4 Алдын ала ұнтақталған кофені қағаз сүзгісіне салыңыз.

Ескертпе.

Кофенің қоюлығын өзіңіздің жеке талғамыңызға қарай реттеуіңізге болады. Орташа қою шыны-аяқ кофе үшін әрбір шыны-аяққа (120 мл) ұнтақталған кофенің бір өлшеуіш қасығын (шамамен 6 г) қолданыңыз. Қою кофе үшін әрбір шыны-аяқ кофеге ұнтақтағыш кофенің 1,5 өлшеуіш қасығын қолданыңыз.

- 5 Сүзгі себетінің ұстағышын жабыңыз.
- 6 Құмыраны құралға орнатыңыз (Сурет 7).
- 7 Қосу/өшіру түймесін басыңыз (Сурет 8).
 - *Дисплей жанады.*
- 8 Қоюлығын таңдау түймесін басыңыз (Сурет 9).
- 9 Алдын ала ұнтақталған кофе параметрін таңдау үшін тұтқаны бұраңыз (Сурет 10).
 - *Алдын ала ұнтақталған кофе белгішесі жанады.*
- 10 Растау үшін тұтқаның ортасын басыңыз. Содан кейін демдеу процесін бастау үшін тұтқаның ортасын қайта басыңыз (Сурет 11).
- 11 Құмыраны шығармай тұрып, кофе демдегіш демдеуді тоқтатқанын күтіңіз.

Ескертпе.

Демдеп болғаннан кейін кофе сүзгі себетінен бірнеше секунд тамшылап тұрады.

5.4 Таймерді орнату

Таймер қайнату процесі басталуы керек уақытты бағдарламалауға мүмкіндік береді. Таймерді орнату алдында кофе қайнатудың барлық қадамдары алдын ала тартылған кофемен немесе кофе дәндерімен орындалғанын тексеріңіз.

- 1 Таймер түймесін басыңыз. (Сурет 20)
 - *Дисплейде «00:00» жыпылықтап, уақытты орнату керектігін көрсетеді.*
- 2 Сағатты орнату үшін тұтқаны бұраңыз (Сурет 21).
- 3 Сағатты растау үшін тұтқаның ортасын басыңыз (Сурет 22).
 - *Минутты орнату керектігін көрсету үшін минуттар жыпылықтай бастайды.*
- 4 Минутты орнату үшін тұтқаны бұраңыз (Сурет 23).
- 5 Минутты растау үшін тұтқаның ортасын басыңыз (Сурет 24).
 - *Таймер орнатылды және демдеу процесі орнатылған уақытта басталады.*

5.5 Тамшылап ағуды тоқтату функциясы

Тамшылап ағуды тоқтату функциясы құмыраны кофе демдегіштен демдеу аяқталғанға дейін алып тастауға мүмкіндік береді. Құмыраны алып тастаған кезде тамшылап ағуды тоқтату кофенің құмыраға ағуын тоқтатады.

Ескертпе.

Құмыраны алып тастасаңыз, демдеу процесі аяқталмайды. Құмыраны құралға 20 секундтың ішінде қайтадан қоймасаңыз, сүзгі себеті тасып кетеді.

6 Тазалау және күту

6.1 Әр пайдаланғаннан кейін тазалау

Абайлаңыз!

Құрылғыны суға немесе басқа сұйықтықтарға батыруға және ағынды судың астында жууға болмайды.

- 1 Құралды өшіру үшін құралдың алдындағы қосу/өшіру түймесін басыңыз. (Сурет 25)
- 2 Штепсельдік ұшты розеткадан ажыратыңыз.
- 3 Кофе демдегіштің сыртын дымқыл шуберекпен тазалаңыз (Сурет 26).
- 4 Сүзгі себетін және құмыраны ыдыс жуғышта немесе ыстық сумен және біраз тазалағыш сұйықтық қосып тазалаңыз.

6.2 Ұсақтағыш түтігін тазалау

Әрдайым кофе дәні контейнерлері немесе кофе дәндері арасында ауысқанда кофенің дәміне әсер етуі мүмкін кофе дәндерінің алдыңғы түрінен қалған іздер болады. Ұсақтағыш түтігін әр 1-2 апта сайын тазалаңыз, бұл әрдайым кофе дәні контейнерлері арасында ауысқанда ұсақтағыш түтігіндегі жаңа дайындалған кофе мен іздердің араласуын болдырмайды. Кофе дәндерінің жаңа түріне ауысқанда, дәмі жақсы болуы үшін төмендегі қадамдарды орындаңыз.

- 1 Құралды өшіру үшін құралдың алдындағы қосу/өшіру түймесін басыңыз (Сурет 25).
- 2 Сүзгі себеті ұстағышын ашу үшін кофе демдегіштің оң жағындағы оның құлақшасынан тартыңыз (Сурет 14).
- 3 Жыртылуды және бүктелуді болдырмау үшін қағаз сүзгісін алып (1x4 түрін немесе № 4), жапсырылған шеттерін бүктеніз. Қағаз сүзгісін сүзгі себетіне орналастырыңыз. (Сурет 15)
- 4 Сүзгі себетінің ұстағышын жабыңыз.
- 5 Ұсақтағыш түтігінің қақпағын ашу үшін тазалағыш щетканың тұтқасының жалпақ жағын құлыпқа кірістіріп, төмен басыңыз (Сурет 27).

Ескертпе.

Егер ұсақтағыш түтігін тек щеткамен тез тазалағыңыз келсе, 7-қадамнан жалғастырыңыз. Егер алдыңғы ұнтақталған кофе іздерінің жаңа кофе дәндерінің дәміне әсер етуін болдырғыңыз келмесе, 6-қадамнан жалғастырыңыз.

- 6 Қоюлығын таңдау түймесін 4 секунд басып тұрыңыз (Сурет 28).
 - *Ұнтақтағыш өзін тазалай бастайды.*
- 7 Ұнтақтағыш тазалауды тоқтатқан соң, ұнтақталған кофенің қалдықтарын түтіктің төменгі бөлігіне жинау үшін тазалағыш щетканы қолданыңыз (Сурет 29).
 - *Ұнтақталған кофенің қалдықтары сүзгі себетіне түседі.*

Абайлаңыз!

Ұсақтағыш түтігіне щетканы түсірмеңіз.

- 8 Ұсақтағыш түтігінің қақпағын жабыңыз.
- 9 Ұнтақталған кофе қалдықтары бар қағаз сүзгіні шығарып, қоқысқа тастаңыз.

6.3 Кофе демдегішін қақтан тазалау

Көп бу шыққанын байқағанда немесе демдеу уақыты артқанда кофе демдегішті қақтан тазалаңыз. Оны әр екі ай сайын қақтан тазалауға кеңес беріледі. Қақтан тазалау үшін тек сірке суын пайдаланыңыз, себебі басқа өнімдер кофе демдегішті зақымдауы мүмкін.

Абайлаңыз!

Құрылғы қаспағын тазалау үшін 8% не одан көп сірке қышқылы бар сірке суын, табиғи сірке суын, ұнтақ не таблетка түріндегі қаспақ кетіргіштерді пайдалануға болмайды. Құрал зақымдануы мүмкін.

- 1 Су ыдысының қақпағын ашыңыз.
- 2 Су ыдысына 8 шыны-аяқ ақ сірке суын (4% сірке қышқылы) және 2 шыны-аяқ су құйыңыз (Сурет 6).
- 3 Сүзгі себетіне қағаз сүзгі салып (№ 4), сүзгі себетінің ұстағышын жабыңыз (Сурет 15).
- 4 Бос құмыраны құралға орнатыңыз (Сурет 7).

- 5 Штепсельдік ұшты қабырғадағы розеткаға қосыңыз.
- 6 Құралды қосу үшін құралдың алдындағы қосу/өшіру түймесін басыңыз (Сурет 8).
 - *Дисплей жанады.*
- 7 Алдын ала ұнтақталған кофе параметрін таңдау үшін қоюлығын таңдау түймесін басыңыз және тұтқаны бұраңыз (Сурет 10).
- 8 Раस्ताу үшін тұтқаның ортасын басыңыз. Содан кейін демдеу процесін бастау үшін тұтқаның ортасын қайта басыңыз (Сурет 11).
- 9 Су-сірке ерітіндісінің жартысы құмыраға ағып кеткенше күтіңіз. Содан соң демдеуді тоқтату үшін, қосу/өшіру түймесін басыңыз және ерітіндіге әрекеттесуге кемінде 15 минут беріңіз (Сурет 30).
- 10 Құралды қайта қосу үшін оның қосу/өшіру түймесін басыңыз (Сурет 8).
- 11 Құралға демдеу процесін аяқтату үшін тұтқа ортасын бір рет басыңыз (Сурет 31).
- 12 Құмыраны босатып, қағаз сүзгіні қоқысқа тастаңыз.
- 13 Басқа демдеу процесін бастау үшін су ыдысына суық су құйып, тұтқа ортасын екі рет басыңыз. Кофе демдегішке демдеу процесін толық аяқтауға және құмыраны босатуға мүмкіндік беріңіз.
- 14 Судан сірке судың дәмі немесе иісі кеткенше 13-қадамды қайталай беріңіз.
- 15 Сүзгі себетін және құмыраны ыдыс жуғышта немесе ыстық сумен және біраз тазалағыш сұйықтық қосып тазалаңыз.
- 16 Құралды өшіру үшін құралдың алдындағы қосу/өшіру түймесін басыңыз.

7 Қосалқы құралдарға тапсырыс беру

Қосалқы құралдар немесе қосалқы бөлшектер сатып алу үшін, www.shop.philips.com/service сайтына кіріңіз немесе Philips дилеріне барыңыз. Сондай-ақ, еліңіздегі Philips тұтынушыларды қолдау орталығына хабарласыңыз (байланыс мәліметтерін дүниежүзілік кепілдік парақшасынан қараңыз).

8 Өңдеу

- Өнімдегі бұл белгі өнімнің 2012/19/EU санды Еуропалық директива аясына кіретінін білдіреді. Электр және электрондық өнімдерге арналған жергілікті бөлек қалдықтарды тастау жүйесін біліп алыңыз. Жергілікті ережелердің талаптарын орындаңыз және өнімді ешқашан қарапайым тұрмыстық қалдықтармен бірге тастамаңыз. Ескірген өнімдерді тиісті жолмен тастау қоршаған орта мен адам денсаулығына кері әсерлердің алдын алады (Сурет 32).

9 Кепілдік және қолдау

Егер сізге ақпарат немесе қолдау қажет болса, www.philips.com/support сайтына кіріңіз немесе бөлек дүниежүзілік кепілдік парақшасын оқыңыз.

10 Ақаулықтарды жою

Бұл тарауда құралда ең жиі кездесетін мәселелер жинақталған. Төмендегі ақпараттың көмегімен мәселені шеше алмасаңыз, жиі қойылатын сұрақтар тізімін көру үшін www.philips.com/support торабына кіріңіз немесе еліңіздегі Тұтынушыларды қолдау орталығына хабарласыңыз.

Құрал жұмыс істемейді.

- Штепсельдік ұшты қабырғадағы розеткаға қосыңыз, құралды қосу үшін құралдың алдындағы қосу/өшіру түймесін басыңыз.
- Құралда көрсетілген кернеудің жергілікті ток көзінің кернеуіне сәйкес келетінін тексеріңіз.
- Су ыдысына су құйыңыз.
- Ұсақтағыш түтігінің қақпағын жабыңыз.

Ұнтақтағышты пайдаланған кезде, кофе өте сұйық болады.

- 2-10 шыны аяқ түймесімен таңдалған шыны аяқ саны су ыдысындағы су мөлшеріне сәйкес келетінін тексеріңіз. Кофе демдегіш су ыдысындағы барлық суды пайдаланатынын ескеріңіз.
- «Өте қою» кофе қоюлығын таңдау үшін, қоюлықты таңдау түймесін пайдаланыңыз.
- Кофе дәндерін пайдаланғанда, алдын ала ұнтақталған кофе түймесінің басылмауын қадағалаңыз, өйткені бұл ұнтақтағышты өшіреді.
- Дәмі немесе иісі күштірек кофе дәндерін пайдаланыңыз.
- Шыныаяқтардың таңдалған саны су ыдысындағы су көлемімен сәйкес екенін тексеріңіз.

Алдын ала ұнтақталған кофе пайдаланғанда кофе өте сұйық болады.

- Сүзгідегі алдын ала ұнтақталған кофе мөлшері су ыдысындағы су мөлшеріне сәйкес келетінін тексеріңіз. Құрал су ыдысындағы барлық суды пайдаланатынын ескеріңіз.
- Дәмі немесе иісі күштірек ұнтақталған кофе пайдаланыңыз.
- Кофенің қоюлығын арттыру үшін, алдын ала ұнтақталған кофе мөлшерін көбейтіңіз немесе су мөлшерін азайтыңыз.

Кофе дайындалып жатқанда құмыра құралдан алып тастағанда, сүзгі толып кетеді.

- Егер құмыраны демдеу барысында 20 секундтан артық уақытқа алып тастасаңыз, тамшылауды тоқтату функциясы сүзгі себетінің тасып кетуіне себеп болады. Демдеу аяқталғанша, кофеңіз толық дәмі шықпайтынын ескеріңіз. Сондықтан, демдеу аяқталғанша құмыраны шығармаған және кофеңіз құйып алмаған жөн.

Құрал демдеу біткеннен кейін көп уақыт бойы тамшылауды жалғастырады.

- Тамшылауды бұдың жиналуы тудырады. Құралдың біраз уақыт бойы тамшылап тұруы қалыпты жағдай.
- Тамшылау тоқтамаса, тамшы тоқтатқыш кептелген болуы мүмкін. Тамшы тоқтатқышты тазалау үшін ұстағышты ашу мақсатында кофе демдегіштің оң жағындағы сүзгі себеті ұстағышының құлақшасынан тартыңыз. Сүзгі себетін сыртқа шығарыңыз. Одан кейін, сүзгі себеті мен тамшы тоқтатқышты ағын су астында шайыңыз.
- Егер құмыраны демдеу барысында 20 секундтан артыққа алып тастасаңыз, тамшылап ағуды тоқтату функциясы сүзгі себетінің тасып кетуіне себеп болады.

Кофе жетерліктей ыстық емес.

- Кофені демдер алдында міндетті түрде құманын ыстық су астында алдын ала қыздырып алыңыз.
- Тек бірнеше шыны аяқ демделген болса, құмдағы кофе тезірек суып кетеді. Егер 10 шыны аяқ, яғни ыдыс толтырылып демделсе, кофе ұзағырақ ыстық болады.
- Жұқа қабырғалы шыны аяқ қолдану қажет. Олар қалың шыны аяққа қарағанда ыстықты азырақ сіңіреді.
- Тікелей тоңазытқыштан алынған сүтті пайдаланбаңыз.
- Құралды қақтан тазалаңыз. «Тазалау және техникалық қызмет көрсету» тарауының «Кофе демдегішін қақтан тазалау» бөлімін қараңыз.

Кофе демдегіш ұсақтағыш түтігін тазалауды бастамайды.

- Кофе демдегіштің қуат көзіне қосылғанын тексеріңіз.
- Ұсақтағыш түймесін басып тұрмастан бұрын ұсақтағыш түтігінің қақпағын міндетті түрде ашыңыз.
- Ұнтағыш түймесін ұнтағыш өзін тазалауды бастағанша 4 секунд бойы басып тұрыңыз.

Құрал жұмыс істейді, бірақ дыбысты сигнал береді.

- Ұсақтағыш түтігін қақпағы дұрыс жабылғанын тексеріңіз.

Кофе дәндері тез бітіп қалатын сияқты.

- Кофе дәндері тез бітіп қалатын сияқты көрінуі мүмкін. Тамаша кофе шыныаяғын қамтамасыз ету үшін тартылған кофенің белгілі бір мөлшері қажет. Құрылғы тартылған кофенің тамаша мөлшерін алу үшін пайдаланатын кофе дәндерінің мөлшері қалыпты.

Ұнтау және демдеу жүйесі бар кофе демдегіш
Өндіруші: "Филипс Консьюмер Лайфстайл Б.В.", Туссендиепен 4, 9206 АД, Драхтен, Нидерланды

Ресей және Кедендік Одақ территориясына импорттаушы: "ФИЛИПС" ЖШҚ, Ресей Федерациясы, 123022 Мәскеу қаласы, Сергей Макеев көшесі, 13-үй, тел. +7 495 961-1111 HD7762: 220 – 240 В; 50 - 60 Гц; 1000 Вт
Тұрмыстық қажеттіліктерге арналған Қазақстан Республикасында сатып алынған тауарға қатысты шағымдарды қабылдайтын заңды тұлға: «Филипс Қазақстан» ЖШС Манас көшесі, 32А, 503-кеңсе, 050008, Алматы қаласы, Қазақстан, тел. 8 75 11 65 0123
Юр. лицо принимающее претензии в отношении товара, приобретенного на территории Республики Казахстан: ТОО «Филипс Қазақстан» ул.Манаса, 32А офис 503, 050008 Алматы, Казахстан, тел. 8 75 11 65 0123

1 소개

필립스 제품을 구입해 주셔서 감사합니다!
필립스가 드리는 지원 혜택을 받으실 수 있도록 www.philips.co.kr에서 제품을 등록하십시오.

2 제품정보 (그림 1)

- 1 필터 용기
- 2 필터 용기 홀더
- 3 수위 표시기
- 4 급수통 뚜껑
- 5 원두 용기 뚜껑
- 6 컨테이너 선택기
- 7 분쇄 정도 조절기
- 8 두 개의 커피 원두 용기
- 9 분쇄기 주입구 뚜껑 잠금 장치
- 10 물 주입구
- 12 디스플레이
 - A 분쇄 커피 아이콘
 - B 컵 수
 - C 커피 컵 아이콘
 - D 농도 선택 커피 원두 아이콘
 - E 농도 선택 버튼
 - F 타이머 버튼
 - G 시간(h) 표시
 - H 분(m) 표시
 - I 타이머 아이콘
- 13 전원 버튼
- 14 유리 용기 뚜껑
- 15 유리 용기
- 16 청소용 브러시

3 중요 사항

본 제품을 사용하기 전에 이 사용 설명서를 주의 깊게 읽고 나중에 참조할 수 있도록 잘 보관하십시오.

3.1 주의

- 제품을 물 또는 다른 액체에 절대 담그거나 행구지 마십시오.

3.2 경고

- 제품을 벽면 콘센트에 연결하기 전에 제품 바닥에 표시되어 있는 전압이 사용 지역의 전압과 일치하는지 확인하십시오.
- 전원 코드가 손상된 경우, 안전을 위해 필립스 서비스 센터 또는 필립스 서비스 지점점에 의뢰하여 교체하십시오.
- 8세 이상 어린이와 신체적인 감각 및 정신적인 능력이 떨어지거나 경험과 지식이 풍부하지 않은 성인이 이 제품을 사용하려면 제품 사용과 관련하여 안전하게 사용할 수 있도록 지시사항을 충분히 숙지한 사람의 도움을 받아야 합니다. 8세 이상 또는 보호 하에 있지 않은 어린이가 제품 청소 및 관리를 하도록 두어서는 안됩니다. 제품 및 코드를 8세 이하 어린이의 손이 닿지 않는 장소에 보관하십시오.
- 어린이가 제품을 가지고 놀지 않도록 하십시오.
- 제품이 올려져 있는 식탁이나 조리대의 가장자리로 전원 코드가 흘러내리지 않도록 하십시오.
- 특히 제품이 전원에 연결되어 있을 때 제품의 분쇄기를 만지지 마십시오.
- 포장재(비닐 포장, 판지 완충재 등)는 장난감이 아니므로 어린이의 손이 닿지 않는 장소에 보관하십시오.
- 제품이 작동할 때 뜨거운 표면을 만지지 마십시오.
- 이 제품은 원두를 갈아서 커피를 만들기 위해 디자인 되었습니다. 올바르게 사용하여 뜨거운 물이나 증기로 인한 화상을 방지하도록 주의하십시오.

- 제품을 기울여 급수통을 비울 경우 제품이 손상될 수 있습니다. 다음 세척 방법을 따라 급수통을 비우십시오.
- 만약 플러그나 전원 코드 또는 제품이 손상되었을 경우에는 제품을 사용하지 마십시오.
- 사용자 설명서에 나온 방법으로 해결할 수 없는 문제가 발생한다면 해당 지역 고객 상담실에 문의하십시오. 문제를 해결할 수 없으면 필립스 지정 서비스 센터에서 제품의 검사 또는 수리를 요청하십시오. 품질 보증이 무효화되므로, 제품을 직접 수리하지 마십시오.

3.3 주의

- 제품을 뜨거운 곳에 놓지 마시고 전원 코드가 뜨거운 표면과 접촉하지 않도록 주의하십시오.
- 재료를 갈거나 끓이는 도중에 문제가 발생한 경우 또는 제품 청소 시, 제품의 전원 코드를 뽑으십시오.
- 작동 중에는 제품을 옮기지 마십시오.
- 사용 중에는 제품이 뜨거워지므로 보관 전 제품을 식히십시오.
- 커피를 끓이는 동안 제품의 하단부와 용기 바닥면이 뜨거워질 수 있습니다.
- 제품의 포장을 뜯 후 완전하고 손상된 곳은 없는지 확인하십시오. 의심이 들면 제품을 사용하지 마시고 해당 지역 고객 상담실에 문의하십시오.
- 본 제품은 가정용입니다. 본 제품은 매장 및 회사의 탕비실, 농장 또는 기타 작업 환경에서 사용하기 위한 제품이 아닙니다. 또한 호텔, 모텔, 민박 시설 및 기타 숙박 환경에서 사용할 수 없습니다.

3.4 EMF(전자기장)

이 제품은 EMF(전자기장)와 관련된 모든 기준 및 규정을 준수합니다.

4 처음 사용 전

4.1 시계 설정

- 1 전원 플러그를 벽면 콘센트에 꽂으십시오.
 - 디스플레이에 00:00이 깜박이면 시간을 설정해야 합니다.
- 2 조절기를 돌려 시간을 설정합니다 (그림 2).
- 3 조절기 가운데를 눌러 설정한 시간을 적용합니다 (그림 3).
 - 분(m)이 깜박이면 분을 설정해야 합니다.
- 4 조절기를 돌려 분을 설정합니다 (그림 4).
- 5 조절기 가운데를 눌러 설정한 분을 적용합니다 (그림 5).
- 6 디스플레이에 설정된 시간이 표시됩니다. 이제 커피메이커를 사용할 준비가 되었습니다.

4.2 자동 전원 꺼짐 시간 설정

제품 전원이 자동으로 꺼지도록 시간을 조절할 수 있습니다. 기본 시간은 30분으로 설정되어 있으며 최대 120분까지 시간을 조절할 수 있습니다. 자동 전원 꺼짐 시간을 조절하려면 다음 단계를 따르십시오.

- 1 제품 전원이 꺼져 있는지 확인합니다 (전원 플러그는 벽면 콘센트에 꽂혀 있어야 합니다).
- 2 디스플레이가 깜빡일 때까지 조절기 가운데를 길게 누릅니다.
- 3 조절기를 돌려 시간을 늘리거나 줄입니다. 1은 10분, 2는 20분, 3은 30분이며 최대 120분까지 설정할 수 있습니다.
- 4 조절기 가운데를 눌러 설정한 분을 적용합니다.



참고:

제품에는 항상 마지막 설정이 저장됩니다.

4.3 최초 사용 전 세척

처음 사용하기 전에 커피메이커를 세척해야 합니다.

- 1 급수통 뚜껑을 엽니다. 급수통에 깨끗하고 차가운 물을 8컵 표시선까지 채우십시오. (그림 6)

☹ 참고:

제품에 커피 원두나 분쇄 커피를 넣지 마십시오.

- 2 급수통 뚜껑을 닫습니다.
- 3 제품에 용기를 넣습니다 (그림 7).
- 4 전원 버튼을 누르십시오 (그림 8).
 - 디스플레이가 켜집니다.
- 5 농도 선택 버튼을 누릅니다 (그림 9).
- 6 조절기를 돌려 분쇄 커피 설정을 선택합니다 (그림 10).
 - 분쇄 커피 아이콘이 켜집니다.
- 7 조절기 가운데를 눌러 적용합니다. 그런 다음 조절기 가운데를 다시 누르면 세척 과정이 시작됩니다 (그림 11).
- 8 세척 과정이 완료될 때까지 제품을 작동시킵니다.
- 9 용기를 비웁니다.

5 제품 사용

5.1 급수통 채우기

- 1 급수통 뚜껑을 열고 급수통에 필요한 만큼의 찬 물을 채웁니다. (그림 6) 급수통을 뚜껑을 열면 제품 안쪽에 2-10잔까지 표시되어 있습니다. 이 표시를 사용하여 급수통에 물을 얼마나 넣을지 정할 수 있습니다. 물이 채워지는 잔 수에 따라 표시등의 불빛이 꺼집니다. 용기의 수위 표시기를 사용할 수도 있습니다.

☹ 참고:

10잔 표시선을 초과하여 급수통을 채우지 마십시오.

5.2 커피 원두의 사용

⚠ 경고:

커피 원두 용기에 커피 원두를 채울 때 항상 급수통 뚜껑이 닫혀 있어야 합니다. 그렇지 않으면 커피 원두가 급수통에 떨어져 물 주입구가 막힐 수 있습니다.

- 1 커피 원두 용기 뚜껑을 분리합니다. (그림 12)
- 2 두 개의 커피 원두 용기에 커피 원두를 넣습니다. 커피 원두 용기가 두 개이므로 용기마다 다른 커피 원두를 사용할 수 있습니다. 용기에 추출할 커피양에 맞춰 충분한 양의 커피 원두를 투입해야 합니다 (그림 13).

☹ 참고:

항상 커피 원두 용기에 적어도 절반 가량 채워져 있는지 확인합니다.

⚠ 경고:

그라인더에 끼임 현상을 방지하려면 볶지 않은 원두나 카라멜 원두는 사용하지 마십시오. 에스프레소 원두를 사용하면 제품이 손상될 수 있으므로 일반 커피 원두를 사용하는 것이 좋습니다.

- 3 커피메이커 우측에 있는 탭을 당겨 필터 용기 홀더를 엽니다 (그림 14).
- 4 종이 필터(1x4 또는 no.4 규격제품)를 준비하십시오. 종이 필터가 찢어지거나 접히지 않도록 봉해진 가장자리를 접어서 사용하십시오. 종이 필터를 필터 용기에 넣으십시오. (그림 15)
- 5 필터 용기를 닫으십시오.
- 6 제품에 용기를 넣습니다. (그림 7)
- 7 분쇄 정도 조절기를 원하는 분쇄 유형(미세에서 굵음까지)을 선택하여 맞춥니다. (그림 16)

⚙ 도움말:

분쇄 정도 조절기에서 아홉 가지 설정을 선택할 수 있습니다. 세 가지 최적의 설정이 사전 선택되어 있지만 아이콘에서 다른 설정을 선택할 수도 있습니다. 여러 분쇄 설정을 시도하여 취향에 맞게 설정을 맞추십시오.

- 8 컨테이너 선택기를 돌려 두 가지 원두 종류 중에서 선택할 수 있습니다 (그림 17).

4 경고:

커피 원두 용기나 커피 원두를 교체할 때 이전에 설정한 분쇄 유형으로 분쇄된 커피 원두 잔여물이 남게 됩니다. 커피 원두를 새로 교체한 후에는 분쇄기 주입구를 세척하십시오.

☞ 참고:

취향에 따라 한 종류의 원두 또는 두 종류가 혼합된 원두를 선택할 수 있습니다.

- 9 제품 전면의 전원 버튼을 누릅니다 (그림 8).
 - 컵 수가 깜박이기 시작합니다.
- 10 디스플레이에 원하는 컵 수가 표시될 때까지 조절기를 돌려 컵 수를 선택합니다 (그림 18).

☞ 참고:

2-10컵 버튼에서 선택한 컵의 수와 급수통에 있는 물의 양이 동일해야 합니다. 커피메이커는 급수통에 있는 모든 물을 사용한다는 것을 유의하시기 바랍니다. 물의 양보다 적은 컵의 수를 선택하는 경우 예상보다 커피가 연해집니다.

- 11 조절기 가운데를 눌러 설정한 컵 수를 적용합니다.
- 12 농도 선택 버튼을 누릅니다. (그림 9)
 - 커피 원두 아이콘이 깜박이기 시작합니다.
- 13 조절기를 돌려 원하는 커피 농도를 선택합니다(부드러운: 원두 1개, 중간: 원두 2개, 진한: 원두 3개) (그림 10).
 - 디스플레이에 선택된 커피 농도가 나타납니다.

☼ 도움말:

물의 양을 조절하여 취향에 맞게 농도를 맞추십시오. 물의 양보다 많은 컵 수를 선택하는 경우 커피가 진해집니다. 물의 양보다 적은 컵 수를 선택하는 경우 커피가 연해집니다.

- 14 조절기 가운데를 눌러 적용합니다. 그런 다음 조절기 가운데를 다시 누르면 추출 과정이 시작됩니다 (그림 19).
 - 분쇄기에 필요한 만큼의 커피 원두를 분쇄합니다.
- 15 커피메이커에서 추출이 완료된 후에 용기를 분리합니다.

☞ 참고:

추출 후 몇 초간 필터 용기에 커피가 나옵니다.

5.3 분쇄 커피 사용

원두 커피 대신 분쇄 커피를 사용하려면 다음 단계를 따르십시오.

- 1 급수통 뚜껑을 열고 급수통에 필요한 만큼의 찬 물을 채웁니다. (그림 6)
- 2 커피메이커 우측에 있는 탭을 당겨 필터 용기 홀더를 엽니다 (그림 14).
- 3 종이 필터(1x4 또는 no.4 규격제품)를 준비하십시오. 종이 필터가 찢어지거나 접히지 않도록 봉해진 가장자리를 접어서 사용하십시오. 종이 필터를 필터 용기에 넣으십시오 (그림 15).
- 4 종이 필터에 분쇄 커피를 넣습니다.

☞ 참고:

취향에 따라 커피 농도를 조절할 수 있습니다. 중간으로 진한 커피는 커피 1잔당(120ml) 계량 스푼 한 스푼 (대략 6g)을 넣습니다. 진한 커피의 경우 커피 1잔당 계량 스푼 1.5스푼의 분쇄 커피를 넣습니다.

- 5 필터 용기를 닫으십시오.
- 6 제품에 용기를 넣습니다 (그림 7).
- 7 전원 버튼을 누르십시오 (그림 8).
 - 디스플레이가 켜집니다.
- 8 농도 선택 버튼을 누릅니다 (그림 9).
- 9 조절기를 돌려 분쇄 커피 설정을 선택합니다 (그림 10).
 - 분쇄 커피 아이콘이 켜집니다.
- 10 조절기 가운데를 눌러 적용합니다. 그런 다음 조절기 가운데를 다시 누르면 추출 과정이 시작됩니다 (그림 11).

- 11 커피메이커에서 추출이 완료된 후에 용기를 분리합니다.

☹ 참고:

추출 후 몇 초간 필터 용기에 커피가 나옵니다.

5.4 타이머 설정

타이머로 추출 과정 시작 시간을 프로그램할 수 있습니다. 타이머를 설정하기 전에 분쇄된 원두 또는 흘빈이 커피 추출에 필요한 모든 단계를 거쳤는지 확인하십시오.

- 1 타이머 버튼을 누르십시오. (그림 20)
 - 디스플레이에 00:00이 깜박이면 타이머를 설정해야 합니다.
- 2 조절기를 돌려 시간을 설정합니다 (그림 21).
- 3 조절기 가운데를 눌러 설정한 시간을 적용합니다 (그림 22).
 - 분(m)이 깜박이면 분을 설정해야 합니다.
- 4 조절기를 돌려 분을 설정합니다 (그림 23).
- 5 조절기 가운데를 눌러 설정한 분을 적용합니다 (그림 24).
 - 타이머를 설정하면 설정된 시간에 추출 과정이 시작됩니다.

5.5 드립 중지 기능

누수 방지 기능이 있어 추출 과정이 끝나기 전에 커피메이커에서 용기를 꺼낼 수 있습니다. 용기를 꺼낼 때 누수 방지기가 커피가 용기로 내려가지 않도록 막아줍니다.

☹ 참고:

용기를 꺼내도 추출 과정이 중단되지 않습니다. 20초 내에 용기를 제품에 다시 넣지 않으면 필터 용기가 넘칩니다.

6 청소 및 유지관리

6.1 매일 사용 후 세척

⚠ 경고:

제품을 물 또는 다른 액체에 절대 담그거나 헹구지 마십시오.

- 1 제품 전면의 전원 버튼을 눌러 전원을 끕니다. (그림 25)
- 2 벽면 콘센트에서 전원 플러그를 뽑으십시오.
- 3 커피메이커 외부는 젖은 헝겊으로 닦습니다 (그림 26).
- 4 식기세척기 또는 소량의 세제를 푼 따뜻한 물에 필터 용기와 용기를 세척합니다.

6.2 분쇄기 주입구 청소

커피 원두 용기 또는 커피 원두를 교체할 때 이전에 설정한 분쇄 유형으로 분쇄된 커피 원두 잔여물로 인해 커피 맛이 달라질 수 있습니다. 신선한 커피의 맛과 원두 잔여물의 맛이 서로 섞이지 않게 하려면 분쇄기 주입구를 1~2주에 한 번 또는 커피 원두 용기를 교체할 때마다 세척하십시오. 커피 원두를 다른 유형으로 교체할 다음에는 아래 단계를 따라 최상의 커피 맛을 즐겨보십시오.

- 1 제품 전면의 전원 버튼을 눌러 전원을 끕니다 (그림 25).
- 2 커피메이커 우측에 있는 탭을 당겨 필터 용기 홀더를 엽니다 (그림 14).
- 3 종이 필터(1x4 또는 no.4 규격제품)를 준비하십시오. 종이 필터가 찢어지거나 접히지 않도록 봉해진 가장자리를 접어서 사용하십시오. 종이 필터를 필터 용기에 넣으십시오. (그림 15)
- 4 필터 용기를 닫으십시오.
- 5 분쇄기 주입구 뚜껑을 열려면 세척용 브러시의 평평한 끝을 잠금 장치에 끼워 넣고 아래로 누릅니다 (그림 27).

☹ 참고:

분쇄기 주입구를 세척용 브러시로만 빠르게 청소하려는 경우 7단계로 넘어가십시오. 분쇄 커피 잔여물이 새 커피 원두의 맛에 영향을 미치지 않게 하려면 6단계로 넘어가십시오.

- 6 농도 선택 버튼을 4초 동안 길게 누릅니다 (그림 28).
- 그라인더 자동 세척이 시작됩니다.
- 7 그라인더 세척이 완료되면 세척용 브러시로 주입구의 하단부에 있는 분쇄 커피 찌꺼기를 털어 냅니다 (그림 29).
- 분쇄 커피 찌꺼기가 필터 용기에 떨어집니다.

⚠ 경고:

분쇄기 주입구에 브러시를 떨어뜨리지 마십시오.

- 8 분쇄기 주입구 뚜껑을 닫으십시오.
- 9 분쇄 커피 찌꺼기가 있는 종이 필터를 분리해서 버리십시오.

6.3 커피메이커의 석회질 제거

수증기가 과도하게 발생하거나 추출 시간이 길어지면 커피메이커의 석회질을 제거하십시오. 두 달 간격으로 석회질을 제거하는 것이 좋습니다. 흰 식초 외에 다른 물질을 사용할 경우 커피메이커가 손상될 수 있습니다.

⚠ 경고:

제품의 석회질을 제거할 때 아세트산 8% 이상의 식초, 천연 식초, 분말형 석회질 제거제 또는 석회질 제거용 알약은 절대 사용하지 마십시오. 제품이 손상될 수 있습니다.

- 1 급수통 뚜껑을 엽니다.
- 2 급수통에 흰 식초(아세트산 4%) 8컵과 물 2컵을 채웁니다 (그림 6).
- 3 필터 용기에 종이 필터(no.4)를 넣고 필터 용기 홀더를 닫습니다 (그림 15).
- 4 제품에 빈 용기를 넣습니다 (그림 7).
- 5 전원 플러그를 벽면 콘센트에 꽂으십시오.
- 6 제품 전면의 전원 버튼을 눌러 전원을 켭니다 (그림 8).
- 디스플레이가 켜집니다.
- 7 농도 선택 버튼을 누르고 조절기를 돌려 분쇄 커피 설정을 선택합니다 (그림 10).
- 8 조절기 가운데를 눌러 적용합니다. 그런 다음 조절기 가운데를 다시 누르면 추출 과정이 시작됩니다 (그림 11).
- 9 식초 혼합 용액의 절반이 용기에 들어갈 때까지 기다립니다. 그 후 전원 버튼을 눌러서 추출 과정을 멈추고 용액을 최소 15분 동안 불립니다 (그림 30).
- 10 전원 버튼을 눌러 커피메이커를 다시 켭니다 (그림 8).
- 11 조절기 가운데를 한 번 눌러 제품에서 추출 과정이 완료될 때까지 기다립니다 (그림 31).
- 12 용기를 비우고 종이 필터를 버립니다.
- 13 급수통에 찬물을 채우고 조절기 가운데를 두 번 눌러 추출 과정을 다시 시작합니다. 커피메이커에서 추출 과정이 끝나면 용기를 비웁니다.
- 14 물에서 식초 맛이 나 향이 느껴지지 않을 때까지 13단계를 반복합니다.
- 15 식기세척기 또는 소량의 세제를 푼 따뜻한 물에 필터 용기와 용기를 세척합니다.
- 16 제품 전면의 전원 버튼을 눌러 전원을 끕니다.

7 액세서리 주문

액세서리나 교체 부품을 구입하려면 웹사이트(www.shop.philips.com/service) 또는 필립스 대리점을 방문하십시오. 해당 지역의 필립스 고객 상담실에 문의하셔도 됩니다. 자세한 연락처는 제품 보증서를 참조하십시오.

8 재활용

- 제품에 이 기호가 부착되어 있다면 유럽 지침 2012/19/EU를 준수하는 제품이라는 의미입니다. 제품을 일반 가정용 쓰레기와 함께 버리지 말고 전자 및 전기 제품의 현지 수거 규정에 따라 폐기하십시오. 올바른 제품 폐기를 통해 환경 및 인류의 건강을 유해한 영향으로부터 보호할 수 있습니다 (그림 32).

9 보증 및 지원

보다 자세한 정보나 지원이 필요한 경우에는 필립스 웹 사이트(www.philips.com/support)를 방문하시거나 제품 보증서를 참조하십시오.

10 문제 해결

이 란은 본 제품을 사용하면서 가장 일반적으로 경험하게 되는 문제와 그 해결 방법을 제시합니다. 아래의 정보로도 문제를 해결할 수 없는 경우 www.philips.com/support를 방문하여 자주 묻는 질문(FAQ) 목록을 참조하거나 필립스 고객 상담실로 문의하십시오.

제품이 작동하지 않습니다.

- 전원 플러그를 벽면 콘센트에 꽂은 다음 제품 전면의 전원 버튼을 눌러 전원을 켜십시오.
- 제품에 표시된 전압과 사용 지역의 전압이 일치하는지 확인하십시오.
- 급수통에 물을 채우십시오.
- 분쇄기 주입구 뚜껑을 닫으십시오.

분쇄기를 사용하면 커피가 너무 연합니다.

- 2-10컵 버튼에서 선택한 컵의 수와 급수통에 있는 물의 양이 일정해야 합니다. 커피메이커는 급수통에 있는 모든 물을 사용한다는 것을 유의하시기 바랍니다.
- 농도 선택 버튼을 사용하여 커피 농도를 '진함'으로 설정합니다.
- 커피 원두를 사용할 때 분쇄 커피 버튼을 누르면 분쇄기가 꺼지므로 누르지 마십시오.
- 더 진한 블렌드와 향의 커피 원두를 사용합니다.
- 선택된 컵의 수와 급수통에 있는 물의 양이 동일해야 합니다.

분쇄 커피를 사용하면 커피가 너무 연합니다.

- 용기에 있는 분쇄 커피의 양과 급수통에 있는 물의 양이 일정해야 합니다. 제품은 급수통에 있는 모든 물을 사용한다는 것을 유의하시기 바랍니다.
- 더 진한 블렌드와 향의 분쇄 커피를 사용합니다.
- 커피 농도를 높이려면 분쇄 커피의 양을 늘리거나 물의 양을 줄이십시오.

커피가 추출되는 동안 제품에서 용기를 분리하면 필터가 넘칩니다.

- 추출 과정에서 용기를 20초 이상 분리해 두는 경우 필터 용기가 넘치는 것을 방지하기 위해 누수 방지 기능의 작동이 멈춥니다. 또한 커피는 추출 과정이 끝나기 전에는 완전한 맛을 낼 수 없습니다. 따라서 추출 과정이 끝나기 전에는 용기를 분리하여 커피를 따라내지 않는 것이 좋습니다.

추출 과정이 끝난 후에도 오랫동안 제품에서 물이 떨어집니다.

- 스팀이 액화되면서 물이 떨어지는 것입니다. 제품에서 몇 차례의 누수가 발생하는 것은 일반적인 현상입니다.
- 계속 물이 떨어지는 경우 누수 방지 부품이 막혀 있을 수 있습니다. 누수 방지 부품을 세척하려면 커피메이커 우측에 있는 필터 용기 홀더 탭을 당겨 홀더를 엽니다. 필터 용기를 꺼낸 다음 필터 용기와 누수 방지 부품을 수돗물로 헹굽니다.
- 추출 과정에서 용기를 20초 이상 분리해 두는 경우 필터 용기가 넘치는 것을 방지하기 위해 누수 방지 기능의 작동이 멈춥니다.

커피가 충분히 뜨겁지 않습니다.

- 커피 추출을 시작하기 전에 용기를 뜨거운 물로 예열하십시오.
- 커피를 몇 컵만 추출할 경우 용기에 담긴 커피가 빨리 식습니다. 용기 가득(10컵) 커피를 추출하면 커피 온도를 보다 오래 유지할 수 있습니다.
- 두꺼운 컵보다 커피의 열을 덜 흡수하는 얇은 컵을 사용하십시오.
- 냉장고에서 방금 꺼낸 우유를 사용하지 마십시오.
- 제품의 석회질을 제거해야 합니다. ‘세척 및 유지관리’란의 ‘커피메이커의 석회질 제거’ 섹션을 참조하십시오.

커피메이커에서 분쇄기 주입구 세척이 시작되지 않습니다.

- 커피메이커가 전원에 연결되어 있는지 확인하십시오.
- 그라인더 버튼을 길게 누르기 전에 분쇄기 주입구 뚜껑이 열려 있는지 확인하십시오.
- 그라인더 버튼을 4초 정도 길게 누르면 그라인더 자동 세척이 시작됩니다.

제품이 작동할 때 신호음이 들립니다.

- 분쇄기 주입구 뚜껑이 제대로 닫혔는지 확인하십시오.

커피 원두를 너무 빨리 소비하는 것 같습니다.

- 커피 원두를 너무 빨리 소비하는 것처럼 보일 수 있습니다. 그러나 완벽한 한 잔의 커피를 제공하려면, 일정량의 분쇄 커피가 필요합니다. 완벽한 분쇄 커피 원두를 얻기 위해 제품에서 사용하는 커피 원두의 양은 정상입니다.

제조번호 부여기준 : 본 제품의 제조번호는 4자리,5자리,6자리,9자리로 표기될 수 있습니다. (1) 4자리일 경우 : 앞의 두 자리는 연도를, 뒤의 두 자리는 생산된 주를 의미합니다. 예) 0632 → 2006년 32번째 주에 생산 (2) 5자리일 경우 : 앞의 두 자리는 연도를, 다음 두 자리는 생산된 주를, 마지막 자리는 생산된 요일을 의미합니다. 예) 06243 → 2006년 24번째 주의 수요일 생산 (3) 6자리일 경우 : 앞의 두 자리는 연도를, 다음 두 자리는 월을, 마지막 두 자리는 일을 의미합니다. 예) 061125 → 2006년 11월 25일 생산 (4) 9자리일 경우 : 앞의 한 자리는 제조국을, 다음 두 자리는 연도를, 다음 두 자리는 생산된 주를, 다음 한 자리는 공장의 생산라인을, 마지막 3자리는 그 주에 생산된 제품의 일련번호를 의미합니다. 예) 507402001 → 네덜란드에서 2007년 40번째 주에 2번 생산라인에서 첫 번째 생산 (5) 기타제조번호에 대한 문의사항은 (02)709-1200 으로 연락바랍니다.

1 Įvadas

Sveikiname įsigijus gaminį ir sveiki atvykę į „Philips“ svetainę! Jei norite pasinaudoti „Philips“ siūloma pagalba, savo gaminį užregistruokite adresu www.philips.com/welcome.

2 Bendrasis aprašymas (Pav. 1)

- 1 Filtro krepšelis
- 2 Filtro krepšelio laikiklis
- 3 Vandens lygio indikatorius
- 4 Vandens rezervuaro dangtis
- 5 Pupelių indo dangtelis
- 6 Indo parinkimo mygtukas
- 7 Rupumo reguliavimo rankenėlė
- 8 Dvigubas kavos pupelių indas
- 9 Malūnėlio piltuvėlio dangtelis
- 10 Malūnėlio piltuvėlio dangtelio fiksatorius
- 11 Anga vandeniui įpilti
- 12 Ekranas
 - A Maltos kavos piktograma
 - B Puodelių skaičius
 - C Kavos puodelio piktograma
 - D Stiprumo pasirinkimo kavos pupelės piktograma
 - E Stiprumo pasirinkimo mygtukas
 - F Laikmačio mygtukas
 - G Valandų indikatorius
 - H Minučių indikatorius
 - I Laikmačio piktograma
- 13 Įjungimo / išjungimo mygtukas
- 14 Stiklinio ąsočio dangtis
- 15 Stiklinis ąsotis
- 16 Valymo šepetėlis

3 Svarbu

Prieš pradėdami naudoti prietaisą atidžiai perskaitykite šį vartotojo vadovą ir saugokite jį, nes jo gali prireikti ateityje.

3.1 Pavojus

- Niekada nemerkite prietaiso į vandenį ar kitą skystį ir neskalaukite jo tekančiu vandeniu.

3.2 Įspėjimas

- Prieš jungdami prietaisą prie maitinimo tinklo patikrinkite, ar prietaiso apačioje nurodyta įtampa atitinka vietinę elektros įtampą.
- Jei pažeistas maitinimo laidas, jį turi pakeisti „Philips“ darbuotojai, „Philips“ įgaliotasis techninės priežiūros centras arba kiti panašios kvalifikacijos specialistai, kitaip kyla pavojus.
- Šį prietaisą gali naudoti 8 metų ir vyresni vaikai bei asmenys, kurių fiziniai, jutimo ir protiniai gebėjimai yra silpnesni, arba neturintieji patirties ir žinių su sąlyga, kad jie bus išmokyti saugiai naudotis prietaisu ir prižiūrėti siekiant užtikrinti, kad saugiai naudotų prietaisą, bei supažindinti su susijusiais pavojais. Valyti ir taisyti prietaiso jaunesniems nei 8 metų vaikams be suaugusiųjų priežiūros negalima. Laikykite prietaisą ir jo laidą jaunesniems nei 8 metų vaikams nepasiekiamoje vietoje.
- Vaikai negali žaisti su šiuo prietaisu.
- Nepalikite maitinimo laido, kabančio nuo stalo ar pagrindo, ant kurio laikomas prietaisas, krašto.
- Nelieskite prietaiso maltuvų, ypač jei prietaisas prijungtas prie maitinimo tinklo.
- Pakavimo medžiagas (plastikinius maišelius, kartonines apsaugas ir t. t.) laikykite vaikams nepasiekiamoje vietoje, nes tai ne žaislai.
- Prietaisui dirbant, nelieskite karštų jo paviršių.
- Šis prietaisas skirtas malti pupelas ir virti kavą. Norėdami išvengti nusiplikymo karštu vandeniu arba garais, naudokite prietaisą tinkamai ir atsargiai.

- Nebandykite ištuštinti vandens rezervuaro pakreipdami prietaisą, taip galite jį sugadinti. Vandens rezervuarą ištuštinkite vadovaudamiesi išleidimo instrukcijomis.
- Nenaudokite prietaiso, jei pažeistas kištukas, maitinimo laidas arba pats prietaisas.
- Jei kiltų problemų, kurių negalite išspręsti naudodamiesi šiuo vartotojo vadovu, kreipkitės į jūsų šalyje esantį klientų aptarnavimo centrą. Jei problemos išspręsti nepavyksta, pristatykite prietaisą apžiūrai arba taisymui į „Philips“ įgaliotą techninės priežiūros centrą. Nebandykite taisyti prietaiso patys, nes nustos galioti jūsų garantija.

3.3 Dėmesio

- Nedėkite prietaiso ant karšto paviršiaus ir saugokite, kad prie tokių paviršių neprisiliestų maitinimo laidas.
- Išjunkite prietaisą iš maitinimo tinklo, jei kiltų problemų malant arba verdant kavą, ir prieš jį valydami.
- Nejudinkite prietaiso, kai jis dirba.
- Naudojamas prietaisas įkaista. Prieš padėdami į saugojimo vietą, palaukite, kol prietaisas atvės.
- Verdant kavą apatinė prietaiso dalis ir ąsočio apačia įkaista.
- Išpakavę prietaisą, įsitinkite, kad jam nieko netrūksta ir kad jis nepažeistas. Jei kiltų abejonių, nenaudokite prietaiso ir kreipkitės į jūsų šalyje esantį klientų aptarnavimo centrą.
- Šis prietaisas skirtas naudoti tik namų ūkyje. Netinka naudoti tokiose vietose, kaip parduotuvių personalo virtuvėse, biuruose, ūkiuose ar kitose darbo aplinkose. Gaminys nėra skirtas viešbučių, motelių, nakvynės namų, kuriuose pateikiami pusryčiai, bei kitų gyvenamojo tipo aplinkų klientams.

3.4 Elektromagnetiniai laukai (EML)

„Philips“ prietaisas atitinka visus taikomus standartus ir normas dėl elektromagnetinių laukų poveikio.

4 Prieš naudojant pirmą kartą

4.1 Laikrodžio nustatymas

- 1 Įkiškite maitinimo kištuką į sieninį elektros lizdą.
 - *Ekrane mirksintis skaičius 00.00 reiškia, kad reikia nustatyti laikrodžio laiką.*
- 2 Pasukite rankenėlę, kad nustatytumėte valandas (Pav. 2).
- 3 Paspauskite rankenėlės vidurinę dalį, kad valandas patvirtintumėte (Pav. 3).
 - *Pradėjusios mirksėti minutės reiškia, kad reikia nustatyti minutes.*
- 4 Pasukite rankenėlę, kad nustatytumėte minutes (Pav. 4).
- 5 Paspauskite rankenėlės vidurinę dalį, kad minutes patvirtintumėte (Pav. 5).
- 6 Ekrane rodomas nustatytas laikrodžio laikas. Kavos virimo aparatas yra paruoštas naudojimui.

4.2 Automatinio išjungimo laiko nustatymas

Nustatykite laiką, kuriam atėjus prietaisas išsijungs automatiškai. Numatytasis laikas yra 30 minučių. Laiką galite ilginti iki daugiausia 120 minučių. Norėdami pakeisti automatinio išjungimo laiką, atlikite tolesnius veiksmus.

- 1 Patikrinkite, ar prietaisas išjungtas (tačiau maitinimo kištukas turi būti lizde).
- 2 Palaikykite nuspaudę vidurinę rankenėlės dalį, kad ekranas pradėtų mirksėti.
- 3 Sukite rankenėlę, kad pailgintumėte arba sutrumpintumėte laiką. 1 yra lygu 10 minučių, 2 – 20 minučių, 3 – 30 minučių ir taip toliau, kol pasiekiami 12, t. y. 120 minučių.
- 4 Paspauskite rankenėlės vidurinę dalį, kad minutes patvirtintumėte.

Pastaba.

Prietaise visada išsaugomas paskutinis nustatymas.

4.3 Prietaiso skalavimas

Kavos virimo aparatą reikia išskalauti prieš naudojant jį pirmą kartą.

- 1 Atidarykite vandens rezervuaro dangtį.
Į vandens rezervuarą, **iki 8 puodelių žymos**, pripilkite šviežio šalto vandens. (Pav. 6)

Pastaba.

Nedėkite į prietaisą kavos pupelių ir maltos kavos.

- 2 Uždarykite vandens rezervuaro dangtį.
- 3 Į prietaisą įstatykite ąsotį (Pav. 7).
- 4 paspauskite įjungimo / išjungimo mygtuką (Pav. 8).
 - *Užsidega ekranas.*
- 5 Paspauskite stiprumo pasirinkimo mygtuką (Pav. 9).
- 6 Pasukite rankenėlę, kad pasirinktumėte sumaltos kavos nustatymą (Pav. 10).
 - *Ima šviesti maltos kavos piktograma.*
- 7 Paspauskite vidurinę rankenėlės dalį, kad patvirtintumėte. Tada paspauskite dar kartą, kad įjungtumėte skalavimo procesą (Pav. 11).
- 8 Leiskite prietaisui veikti, kol skalavimo procesas bus baigtas.
- 9 Ištuštinkite ąsotį.

5 Prietaiso naudojimas

5.1 Vandens rezervuaro pripildymas

- 1 Atidarykite vandens rezervuaro dangtį ir pripildykite vandens rezervuarą reikiamu kiekiu šalto vandens. (Pav. 6)
Atidarę vandens indo dangtį, viduje rasite nuo 2 iki 10 puodelių žymes. Atsižvelgdami į šias žymes galite nustatyti, kiek vandens reikia įpilti į vandens indą. Su kiekvienu įpiltu puodeliu šviesiai pilka žymė tampa tamsios spalvos. Taip pat galite naudoti ant ąsočio esantį vandens lygio indikatorius.

Pastaba.

Į vandens indą daugiau kaip 10 puodelių nepilkite.

5.2 Kavos pupelių naudojimas

Ispėjimas.

Vandens rezervuaro dangtis visada turi būti uždarytas, kai į kavos pupelių talpą pilate kavos pupeles. Jei dangtis bus atidarytas, kavos pupelės gali įkristi į vandens rezervuarą ir užblokuoti vandens įleidimo angą.

- 1 Nuimkite kavos pupelių indo dangtį. (Pav. 12)
- 2 Dvigubą kavos pupelių indą pripildykite kavos pupelėmis. Į dvigubą kavos pupelių indą galite pilti dviejų skirtingų rūšių kavos. Įsitikinkite, kad norimai kavai pagaminti, kavos pupelių inde yra pakankamai kavos pupelių (Pav. 13).

Pastaba.

Būtinai įsitikinkite, kad kavos pupelių indas pripildytas bent iki pusės.

Ispėjimas.

Nenaudokite nekepinų ar karamelinų pupelių, kad neužstrigtų malūnėlis. Vietoje espresso pupelių rekomenduojame naudoti kavos pupeles, kad neatsirastų pažeidimų.

- 3 Patraukę dešinėje kavos virimo aparato pusėje esančią ąselę, atidarysite filtro krepšelio laikiklį (Pav. 14).
- 4 Paimkite popierinį filtrą (modelis 1x4 arba Nr. 4) ir užlenkite užsandarintus kraštus, kad filtras nesupyštų ir nesusiraukšlėtų. Popierinį filtrą įdėkite į filtro krepšelį. (Pav. 15)
- 5 Uždarykite filtro krepšelio laikiklį.
- 6 Į prietaisą įstatykite ąsotį. (Pav. 7)
- 7 Pasukę rankenėlę, pasirinkite norimą malimo būdą (nuo smulkaus iki rupaus). (Pav. 16)

Patarimas.

Malimo būdo rankenėle galite pasirinkite devynis skirtingus malimo nustatymus. Mes parinkome 3 optimalius nustatymus, tačiau jūs galite pasirinkti kitokius. Rekomenduojame išmėginti kelis skirtingus nustatymus, kad išsirinktumėte tinkamiausią.

- 8 Pasukę indo pasirinkimo mygtuką, pasirinkite vieną iš dviejų kavos pupelių tipų (Pav. 17).

Ispėjimas.

Kiekvieną kartą, kai pakeičiate kavos pupelių indus arba kavos pupeles, lieka anksčiau maltų kavos pupelių likučių. Kad to išvengtumėte, pakeitę kavos pupelių tipą išvalykite malūnėlio piltuvėlį.

Pastaba.

Atsižvelgdami į savo skonį, pasirinkite vieną iš dviejų kavos pupelių tipą arba jų mišinį.

- 9** Paspauskite prietaiso priekyje esantį įjungimo / išjungimo mygtuką (Pav. 8).

- *Ima mirksėti puodelių skaičius.*

- 10** Kad pasirinktumėte puodelių skaičių, sukite rankenėlę, kol ekrane pasirodys norimas puodelių skaičius (Pav. 18).

Pastaba.

Įsitinkinkite, kad 2–10 puodelių mygtuku pasirenkamas puodelių skaičius atitinka vandens kiekį rezervuare. Turėkite omenyje, kad kavos virimo aparatas panaudoja visą vandens rezervuare esantį vandenį. Jei pasirinksite mažesnę puodelių skaičių nei vandens kiekis, kava taps silpnesnė, nei manėte.

- 11** Paspauskite rankenėlės vidurinę dalį, kad patvirtintumėte puodelių skaičių.
- 12** Paspauskite stiprumo pasirinkimo mygtuką. (Pav. 9)

- *Ima mirksėti kavos pupelių piktogramos.*

- 13** Pasukite rankenėlę, kad pasirinktumėte norimą kavos stiprumą (švelni: 1 pupelė, vidutinė: 2 pupelės arba stipri: 3 pupelės) (Pav. 10).

- *Ekrane rodomas pasirinktas kavos stiprumas.*

Patarimas.

Rekomenduojame išbandyti įvairių vandens kiekį, kad išsirinktumėte tinkamiausią stiprumą. Pasirinkus didesnę puodelių skaičių nei yra vandens, bus pagaminta stipresnė kava. Pasirinkus mažesnę puodelių skaičių nei yra vandens, pagaminama silpnesnė kava.

- 14** Paspauskite vidurinę rankenėlės dalį, kad patvirtintumėte. Tada paspauskite dar kartą, kad įjungtumėte virimo procesą (Pav. 19).

- *Malūnėlis sumala reikiamą kavos pupelių kiekį.*

- 15** Prieš išimdami šotį, palaukite, kol kavos virimo aparatas nustos virti.

Pastaba.

Baigus virti, kelias sekundes iš filtro krepšelio laša kava.

5.3 Maltos kavos naudojimas

Jei vietoje kavos pupelių norite naudoti maltą kavą, atlikite toliau nurodytus veiksmus.

- 1** Atidarykite vandens rezervuaro dangtį ir pripildykite vandens rezervuarą reikiamu kiekiu šalto vandens. (Pav. 6)
- 2** Patraukę dešinėje kavos virimo aparato pusėje esančią ašelę, atidarysite filtro krepšelio laikiklį (Pav. 14).
- 3** Paimkite popierinį filtrą (modelis 1x4 arba Nr. 4) ir užlenkite užsandarintus kraštus, kad filtras nesuplyštų ir nesusiraukšlėtų. Popierinį filtrą įdėkite į filtro krepšelį (Pav. 15).
- 4** Į popierinį filtrą įpilkite sumaltos kavos.

Pastaba.

Kavos stiprumą galite nustatyti pagal savo skonį. Jei norite pagaminti vidutiniškai stiprios kavos, kiekvienam puodeiui pagaminti (120 ml) įpilkite vieną šaukštelį (apie 6 g) sumaltos kavos. Jei norite stipresnės kavos, kiekvienam puodeiui pagaminti naudokite 1,5 šaukštelio kavos.

- 5** Uždarykite filtro krepšelio laikiklį.
- 6** Į prietaisą įstatykite šotį (Pav. 7).
- 7** Paspauskite įjungimo / išjungimo mygtuką (Pav. 8).

- *Užsidega ekranas.*

- 8** Paspauskite stiprumo pasirinkimo mygtuką (Pav. 9).
- 9** Pasukite rankenėlę, kad pasirinktumėte sumaltos kavos nustatymą (Pav. 10).
- *Ima šviesti maltos kavos piktograma.*

10 Paspauskite vidurinę rankenėlės dalį, kad patvirtintumėte. Tada paspauskite dar kartą, kad įjungtumėte virimo procesą (Pav. 11).

11 Prieš išimdami šotį, palaukite, kol kavos virimo aparatas nustos virti.

Pastaba.

Baigus virti, kelias sekundes iš filtro krepšelio laša kava.

5.4 Laikmačio nustatymas

Laikmatyje nustatykite laiką, kada norite pradėti virimo procesą. Prieš nustatydami laiką, patikrinkite, ar atlikti visi virimo etapai (tiek naudojant maltą kavą, tiek kavos pupeles).

1 Paspauskite laikmačio mygtuką. (Pav. 20)

- *Ekране mirksintis laikas 00.00 reiškia, kad reikia nustatyti laikmatį.*

2 Pasukite rankenėlę, kad nustatytumėte valandas (Pav. 21).

3 Paspauskite rankenėlės vidurinę dalį, kad valandas patvirtintumėte (Pav. 22).

- *Pradėjusios mirksėti minutės reiškia, kad reikia nustatyti minutes.*

4 Pasukite rankenėlę, kad nustatytumėte minutes (Pav. 23).

5 Paspauskite rankenėlės vidurinę dalį, kad minutes patvirtintumėte (Pav. 24).

- *Laikmatis nustatytas ir virimo procesas tuoj bus pradėtas.*

5.5 Lašėjimo stabdymo funkcija

Lašėjimo stabdymo funkcija leidžia išimti šotį iš kavos virimo aparato prieš pasibaigiant virimo procesui. Jei išimate šotį, lašėjimas bus stabdomas ir kava į šotį netekės.

Pastaba.

Išėmus šotį, virimas nesustabdomas. Jei per 20 sekundžių šočio atgal į prietaisą neįstatysite, filtro krepšelis persipildys.

6 Valymas ir priežiūra

6.1 Valymas po kiekvieno naudojimo

Įspėjimas.

Niekada nemerkite prietaiso į vandenį ar kitą skystį ir neskalkaukite jo tekančiu vandeniu.

1 Paspauskite prietaiso priekyje esantį įjungimo / išjungimo mygtuką, kad prietaisą išjungtumėte. (Pav. 25)

2 Ištraukite maitinimo tinklo kištuką iš sieninio lizdo.

3 Kavos virimo aparato išorę nuvalykite drėgna šluoste (Pav. 26).

4 Išplaukite filtro krepšelį ir šotį indaplovėje arba karštu vandeniu su trupučiu indų ploviklio.

6.2 Malūnėlio piltuvėlio valymas

Kiekvieną kartą, kai pakeičiate kavos pupelių indus arba kavos pupeles, lieka anksčiau maltų kavos pupelių likučių, kurie gali turėti įtakos kavos skoniu. Malūnėlio piltuvėlį valykite kas 1–2 savaites arba pakeitus kavos pupelių indus, kad šviežiai maltos pupelės ir kavos pupelių lovelyje likę likučiai nesusimaišytų. Pradėję naudoti naujas pupeles, atlikite toliau nurodytus veiksmus, kad užtikrintumėte geriausią kavos skonį.

1 Paspauskite prietaiso priekyje esantį įjungimo / išjungimo mygtuką, kad prietaisą išjungtumėte (Pav. 25).

2 Patraukę dešinėje kavos virimo aparato pusėje esančią ašelę, atidarysite filtro krepšelio laikiklį (Pav. 14).

3 Paimkite popierinį filtrą (modelis 1x4 arba Nr. 4) ir užlenkite užsandarintus kraštus, kad filtras nesuplyštų ir nesusiraukšlėtų. Popierinį filtrą įdėkite į filtro krepšelį. (Pav. 15)

4 Uždarykite filtro krepšelio laikiklį.

5 Norėdami atidaryti malūnėlio piltuvėlio dangtelį, plokščią valymo šepetėlio rankenos galą įstatykite į fiksatorių ir nuspauskite (Pav. 27).

Pastaba.

Norėdami šepetėliu greitai išvalyti malūnėlio piltuvėlį, pereikite prie 7 veiksmo. Jei nenorite, kad sumaltos kavos likučiai turėtų įtakos naujų kavos pupelių skoniui, pereikite prie 6 veiksmo.

- 6 Nuspauskite ir apie 4 sekundes palaikykite stiprumo pasirinkimo mygtuką (Pav. 28).
 - **Malūnėlis išsivalo savaime.**
- 7 Išsivalius malūnėliui, valymo šepetėliu į apatinę piltuvėlio dalį sušluokite maltos kavos likučius (Pav. 29).
 - **Maltos kavos likučiai sukrenta į filtro krepšelį.**

Įspėjimas.

Nemeskite šepetčio į malūnėlio piltuvėlį.

- 8 Uždarykite malūnėlio piltuvėlio dangtį.
- 9 Išimkite popierinį filtrą su maltos kavos likučiais ir išmeskite jį.

6.3 Nuosėdų šalinimas iš kavos virimo aparato

Jei pastebite, kad padaugėjo garų arba pailgėjo kavos ruošimo laikas, pašalinkite kavos virimo aparato nuosėdas. Nuosėdas rekomenduojame šalinti kas du mėnesius. Nuosėdoms šalinti naudokite tik baltąjį actą, nes kiti produktai gali sugadinti kavos virimo aparatą.

Įspėjimas.

Nuosėdoms iš prietaiso šalinti niekada nenaudokite acto, kuriame yra daugiau kaip 8 % acto rūgšties, natūralaus acto, nuosėdų šalinimo miltelių arba tablečių, nes tai gali apgadinti prietaisą.

- 1 Atidarykite vandens rezervuaro dangtį.
- 2 Įpilkite į vandens rezervuarą 8 puodelius baltojo acto (4 % acto rūgšties) ir 2 puodelius vandens (Pav. 6).
- 3 Įdėkite į filtro krepšelį popierinį filtrą (Nr. 4) ir uždarykite filtro krepšelio laikiklį (Pav. 15).
- 4 Į prietaisą įstatykite tuščią šotį (Pav. 7).
- 5 Įkiškite maitinimo kištuką į sieninį elektros lizdą.
- 6 Paspauskite prietaiso priekyje esantį įjungimo / išjungimo mygtuką, kad prietaisą įjungtumėte (Pav. 8).
 - **Užsidega ekranas.**

- 7 Paspauskite stiprumo pasirinkimo mygtuką ir pasukite rankenėlę, kad pasirinktumėte maltos kavos nustatymus (Pav. 10).
- 8 Paspauskite vidurinę rankenėlės dalį, kad patvirtintumėte. Tada paspauskite dar kartą, kad įjungtumėte virimo procesą (Pav. 11).
- 9 Palaukite, kol į šotį subėgs pusė acto ir vandens mišinio. Tada, paspaudę įjungimo / išjungimo mygtuką, sustabdykite virimą ir bent 15 minučių palikite mišinį veikti (Pav. 30).
- 10 Paspauskite įjungimo / išjungimo mygtuką, kad vėl įjungtumėte kavos virimo aparatą (Pav. 8).
- 11 Paspauskite vidurinę rankenėlės dalį, kad prietaisė būtų baigtas virimo procesas (Pav. 31).
- 12 Ištuštinkite šotį ir išmeskite popierinį filtrą.
- 13 Į vandens indą pripilkite šalto vandens ir dukart paspauskite vidurinę rankenėlės dalį, kad įjungtumėte kitą virimo procesą. Leiskite kavos virimo aparatui užbaigti virimo procesą ir ištuštinkite šotį.
- 14 Kartokite 13 veiksmą tol, kol vanduo nebeturės acto skonio ir kvapo.
- 15 Išplaukite filtro krepšelį ir šotį indaplovėje arba karštu vandeniu su trupučiu indų ploviklio.
- 16 Paspauskite prietaiso priekyje esantį įjungimo / išjungimo mygtuką, kad prietaisą išjungtumėte.

7 Priedų užsakymas

Norėdami įsigyti priedų ar atskirų dalių, apsilankykite www.shop.philips.com/service arba kreipkitės į „Philips“ prekybos atstovą. Taip pat galite kreiptis į „Philips“ klientų aptarnavimo centrą, esantį jūsų šalyje (kontaktinę informaciją rasite visame pasaulyje galiojančios garantijos lankstinuke).

8 Perdirbimas

- Šis simbolis ant gaminio reiškia, kad gaminiui taikoma Europos Sąjungos Direktyva 2012/19/EB. Susipažinkite su vietos reikalavimais dėl atskiros elektros ir elektroninių gaminių surinkimo. Laikykitės vietos taisyklių ir niekada neišmeskite gaminio su įprastomis buitinėmis atliekomis. Tinkamas senų gaminių išmetimas padeda apsaugoti nuo neigiamo poveikio aplinkai ir žmonių sveikatai (Pav. 32).

9 Garantija ir pagalba

Jei reikia informacijos ar pagalbos, apsilankykite www.philips.com/support arba perskaitykite atskirą visame pasaulyje galiojantį garantijos lankstinuką.

10 Trikčių diagnostika ir šalinimas

Šiame skyriuje apibendrinamos problemos, dažniausiai pasitaikančios naudojantis šiuo prietaisu. Jei toliau pateikta informacija nepadės išspręsti problemos, apsilankykite www.philips.com/support, ten rasite dažnai užduodamų klausimų sąrašą, arba kreipkitės į savo šalies klientų aptarnavimo centrą.

Prietaisas neveikia.

- Įkiškite kištuką į sieninį elektros lizdą, paspauskite prietaiso priekyje esantį įjungimo / išjungimo mygtuką ir įjunkite prietaisą.
- Įsitikinkite, kad ant prietaiso nurodyta įtampa sutampa su vietinio elektros tinklo įtampa.
- Pripilkite vandens į vandens rezervuarą.
- Uždarykite malūnėlio piltuvėlio dangtį.

Kai naudoju malūnėlį, kava išeina per silpna.

- Įsitikinkite, kad 2–10 puodelių mygtuku pasirinkamas puodelių skaičius atitinka vandens kiekį rezervuare. Turėkite omenyje, kad kavos virimo aparatas naudoja visą vandens rezervuare esantį vandenį.
- Naudodamiesi kavos stiprumo pasirinkimo mygtuku pasirinkite kavos stiprumo nustatymą „strong“ (stipri).
- Kai naudojate kavos pupeles, įsitikinkite, kad nepaspaudžiate maltos kavos mygtuko, kadangi taip išjungiamas malūnėlis.
- Naudokite stipresnes arba stipresnio skonio kavos pupeles.
- Patikrinkite, ar vandens rezervuare esančio vandens užteks pasirinktam puodelių skaičiui.

Kai naudoju maltą kavą, ji išeina per silpna.

- Įsitikinkite, kad maltos kavos kiekis filtre atitinka vandens kiekį rezervuare. Turėkite omenyje, kad prietaisas panaudoja visą vandens rezervuare esantį vandenį.
- Naudokite stipresnę arba stipresnio skonio maltą kavą.
- Norėdami padidinti kavos stiprumą, dėkite daugiau maltos kavos arba pilkite mažiau vandens.

Kai išimu ąsotį iš prietaiso jam verdant kavą, filtras persipildo.

- Jei virimo proceso metu nukeliate ąsotį ilgiau nei 20 sekundžių, dėl lašėjimo sustabdymo filtro laikiklis persipildo. Taip pat įsidėmėkite, kad kava neįgauna viso skonio iki pat virimo proceso pabaigos. Todėl rekomenduojame nepasibaigus virimo procesui nenuimti ąsočio ir neišpilti iš jo kavos.

Pasibaigus virimo procesui, lašėjimas iš prietaiso tęsiasi dar ilgai.

- Lašėjimą sukelia garų kondensacija. Tai, kad lašėjimas kurį laiką tęsiasi, visiškai įprasta.
- Jei lašėjimas nesibaigia, gali būti užsikimšusi lašėjimo sustabdymo sistema. Norėdami ją išvalyti, patraukite filtro krepšelio laikiklio ąselę kavos virimo aparato dešinėje ir atidarykite laikiklį. Išimkite filtro krepšelį. Tekančiu vandeniu išskalaukite filtro krepšelį ir lašėjimo sustabdymo sistemą.
- Jei virimo proceso metu ąsotis nuimamas ilgiau nei 20 sekundžių, dėl lašėjimo sustabdymo persipildo filtro krepšelis.

Kava nepakankamai karšta.

- Prieš virdami kavą pašildykite ąsotį karštu vandeniu.
- Kava ąsotyje atšals greičiau, jei virsite tik keliems puodeliams. Kava ilgiau išliks karšta, jei virsite 10 puodelių, t. y. pilną ąsotį.
- Naudokite puodelius plonomis sienelėmis, nes jie sugeria mažiau kavos karščio nei puodeliai storomis sienelėmis.
- Nenaudokite pieno tiesiai iš šaldytuvo.
- Pašalinkite prietaiso nuosėdas. Žr. skyriaus „Valymas ir priežiūra“ dalį „Nuosėdų šalinimas iš kavos virimo aparato“.

Kavos virimo aparatas nepradeda valyti malūnėlio piltuvėlio.

- Įsitinkite, kad kavos virimo aparatas yra įjungtas į elektros tinklą.
- Pirma atidarykite malūnėlio piltuvėlio dangtį ir tik tada paspauskite ir laikykite malūnėlio mygtuką.
- Paspauskite ir laikykite malūnėlio mygtuką 4 sekundes, kol malūnėlis pradės valytis.

Prietaisas veikia, tačiau pypsi.

- Patikrinkite, ar tinkamai uždarytas malūnėlio piltuvėlio dangtelis.

Kavos pupelės greitai suvartojamos.

- Gali atrodyti, kad kavos pupelės greitai suvartojamos. Kad kava būtų puikaus skonio, reikia sumalti tam tikrą kavos pupelių kiekį. Suvartojamos kavos pupelių kiekis puikiam kavos skoniui išgauti yra normalus.

1 Ievads

Apsveicam ar pirkumu un laipni lūdzam Philips!
Lai pilnībā izmantotu Philips piedāvātā atbalsta iespējas, reģistrējiet izstrādājumu vietnē www.philips.com/welcome.

2 Vispārīgs apraksts (Zīm. 1)

- 1 Filtra grozs
- 2 Filtra groza turētājs
- 3 Ūdens līmeņa indikators
- 4 Ūdens tvertnes vāks
- 5 Kafijas pupiņu tvertnes vāciņš
- 6 Tvertnes selektors
- 7 Maluma regulators
- 8 Duo kafijas pupiņu tvertne
- 9 Dzirnaviņu piltuves vāks
- 10 Dzirnaviņu piltuves vāka slēdzis
- 11 Ūdens uzpildes atvere
- 12 Displejs
 - A Maltās kafijas ikona
 - B Tasišu skaits
 - C Kafijas tasītes ikonas
 - D Stipruma regulatora kafijas pupiņu ikona
 - E Stipruma izvēles poga
 - F Taimera poga
 - G Stundu norāde
 - H Minūšu norāde
 - I Taimera ikona
- 13 Ieslēgšanas/izslēgšanas poga
- 14 Stikla krūzes vāks
- 15 Stikla krūze
- 16 Tīrīšanas suka

3 Svarīgi!

Pirms ierīces lietošanas uzmanīgi izlasiet šo lietošanas pamācību un saglabājiet to, lai vajadzības gadījumā varētu ieskatīties tajā arī turpmāk.

3.1 Briesmas

- Nekad neiegremdējiet ierīci ūdenī vai kādā citā šķidrumā, un neskalojiet to tekošā krāna ūdenī.
-

3.2 Brīdinājums!

- Pirms ierīces pievienošanas elektrotīklam pārbaudiet, vai uz ierīces pamatnes norādītais spriegums atbilst elektrotīkla spriegumam jūsu mājās.
- Ja elektrības vads ir bojāts, tas jānomaina Philips pilnvarota tehniskās apkopes centra darbiniekiem vai līdzīgi kvalificētām personām, lai izvairītos no briesmām.
- Šo ierīci var izmantot bērni vecumā no 8 gadiem un personas ar ierobežotām fiziskajām, sensorajām vai garīgajām spējām vai bez pieredzes un zināšanām, ja tiek nodrošināta uzraudzība vai norādījumi par drošu ierīces lietošanu un panākta izpratne par iespējamo bīstamību. Ierīces tīrīšanu un apkopi nedrīkst veikt bērni, ja vien tie nav vecāki par 8 gadiem un netiek uzraudzīti. Novietojiet ierīci un tās strāvas vadu vietā, kur tai nevar piekļūt par 8 gadiem jaunāki bērni.
- Bērni nedrīkst rotaļāties ar ierīci.
- Neļaujiet elektrības vadam karāties pāri galda vai darba virsmas malai, uz kuras stāv ierīce.
- Neaiztieciet iekārtas smalcināšanas asmeņus, jo īpaši, ja ierīce ir pievienota elektrotīklam.
- Nepieļaujiet, ka ar iepakojuma materiālu (polietilēna maisiņiem, kartona starplikām utt.) spēlējas bērni, jo tie nav paredzēti rotaļām.
- Nepieskarities ierīces karstajām virsmām, kamēr ierīce darbojas.
- Šī ierīce ir paredzēta kafijas pupiņu malšanai un kafijas pagatavošanai. Izmantojiet to pareizi un uzmanīgi, lai neapplaucētos ar karstu ūdeni vai tvaikiem.

- Neiztukšojiet ūdens tvertni, sagāžot ierīci, jo varat radīt bojājumus. Iztukšojiet ūdens tvertni tikai ievērojot izskalošanas norādījumus.
- Neizmantojiet ierīci, ja ir bojāta tās kontaktdakša, elektrības vads vai pati ierīce.
- Ja rodas kāda problēma, ko nevarat atrisināt ar šīs lietošanas pamācības palīdzību, sazinieties ar klientu apkalpošanas centru savā valstī. Ja problēmu nevar atrisināt, nogādājiet ierīci uz Philips pilnvarotu tehniskās apkopes centru pārbaudei un remontdarbu veikšanai. Nemēģiniet remontēt ierīci pats, jo pretējā gadījumā tās garantija zaudēs spēku.

3.3 Ievēribai

- Nenovietojiet ierīci uz karstas virsmas un neļaujiet elektrības vadam saskarties ar karstām virsmām.
- Atvienojiet ierīci no elektrotīkla, ja kafijas pupiņu malšanas vai kafijas pagatavošanas laikā rodas problēmas, un pirms tās tīrīšanas.
- Nepārvietojiet ierīci, ja tā darbojas.
- Lietošanas laikā ierīce sakarst. Ļaujiet ierīcei atdzist, pirms novietot to glabāšanā.
- Gatavošanas laikā ierīces apakšējā daļa un krūzes apakša paliek karsta.
- Pēc ierīces izsaiņošanas pārlicinieties, ka ierīce ir pilnībā apstāvēta un nav bojāta. Ja rodas jebkādas šaubas, neizmantojiet ierīci, bet sazinieties ar Klientu apkalpošanas centru savā valstī.
- Šī ierīce ir paredzēta vienīgi lietošanai mājās apstākļos. Tā nav paredzēta lietošanai veikalos vai biroju darbinieku virtuvēs, saimniecības ēkās vai citās darba telpās, piemēram, viesnīcās, moteļos, pansijās un citās apmešanās vietās.

3.4 Elektromagnētiskie lauki (EML)

Šī Philips ierīce atbilst visiem piemērojamiem standartiem un noteikumiem, kas attiecas uz elektromagnētisko lauku iedarbību.

4 Pirms pirmās lietošanas reizes

4.1 Pulksteņa iestatīšana

- 1 Ievietojiet kontaktdakšu sienas kontaktlīdždā.
 - *Displejā mirgo 00:00, norādot, ka ir jāiestata pulksteņa laiks.*
- 2 Pagrieziet regulatoru, lai iestatītu stundas (Zīm. 2).
- 3 Nospiediet regulatora vidusdaļu, lai apstiprinātu stundu (Zīm. 3).
 - *Minūtes sāk mirgot norādot, ka ir jāiestata minūtes.*
- 4 Pagrieziet regulatoru, lai iestatītu minūtes (Zīm. 4).
- 5 Nospiediet regulatora vidusdaļu, lai apstiprinātu minūtes (Zīm. 5).
- 6 Displejā tiek parādīts iestatītais pulksteņa laiks. Kafijas automāts ir gatavs lietošanai.

4.2 Automātiskas izslēgšanās laika iestatīšana

Varat pielāgot laiku, pēc kura ierīce automātiski izslēdzas. Noklusējuma laiks tiek iestatīts uz 30 minūtēm. Varat pielāgot šo laiku līdz maksimāli 120 minūtēm. Ja vēlaties pielāgot automātiskās izslēgšanās laiku, izpildiet tālāk norādītās darbības.

- 1 Pārlicinieties, ka ierīce ir izslēgta (bet elektrības kontaktdakša ir ievietota sienas kontaktlīdždā).
- 2 Nospiediet un turiet nospiestu regulatora vidusdaļu, līdz displejs sāk mirgot.
- 3 Pagrieziet regulatoru, lai palielinātu vai samazinātu laiku. 1 ir 10 Minūtes, 2 ir 20 minūtes, 3 ir 30 minūtes un tā tālāk līdz 12 - 120 minūtes.
- 4 Nospiediet regulatora vidusdaļu, lai apstiprinātu minūtes.

Piezīme:

Ierīce vienmēr saglabā pēdējo izmantoto iestatījumu.

4.3 Ierīces skalošana

Pirms pirmās lietošanas reizes kafijas automāts vienu reizi ir jāizskalo.

- 1 Atveriet ūdens tvertnes vāku. Piepildiet ūdens tvertni ar svaigu un aukstu ūdeni **līdz 8 tasīšu atzīmei**. (Zīm. 6)

Piezīme:

Nepiepildiet ierīcē kafijas pupiņas vai maltu kafiju.

- 2 Aizveriet ūdens tvertnes vāku.
- 3 Ielieciet krūzi ierīcē (Zīm. 7).
- 4 Piespiediet ieslēgšanas/izslēgšanas pogu (Zīm. 8).
 - **Iedegas displejs.**
- 5 Nospiediet stipruma izvēles pogu (Zīm. 9).
- 6 Pagrieziet regulatoru, lai izvēlētos maltās kafijas iestatījumu (Zīm. 10).
 - **Tiek izgaismota maltās kafijas poga.**
- 7 Nospiediet regulatora vidusdaļu, lai apstiprinātu. Pēc tam nospiediet regulatora vidusdaļu vēlreiz, lai sāktu skalošanas procesu (Zīm. 11).
- 8 Ļaujiet ierīcei darboties, līdz skalošanas process ir pabeigts.
- 9 Izlejiet krūzes saturu.

5 Ierīces lietošana

5.1 Piepildiet ūdens rezervuāru

- 1 Atveriet ūdens tvertni un piepildiet to ar atbilstošu daudzumu vēsa ūdens. (Zīm. 6) Atverot ūdens tvertnes vāku, ierīces iekšpusē ir atzīmes 2-10 tasītēm. Izmantojiet šīs norādes, lai noteiktu, cik daudz ūdens ir jāielej ūdens tvertnē. Palielinot tasīšu skaitu, atspulgs mainās no gaiša uz tumšu. Jūs arī varat izmantot ūdens līmeņa indikatoru uz kannas.

Piezīme:

Nepiepildiet ūdens tvertni virs 10 tasīšu atzīmes.

5.2 Kafijas pupiņu lietošana

Brīdinājums!

Piepildot kafijas pupiņu konteineru ar pupiņām, vienmēr aizveriet ūdens tvertnes vāku. Pretējā gadījumā kafijas pupiņas var iekrist ūdens tvertnē un nobloķēt ūdens iepildīšanas atveri.

- 1 Noņemiet kafijas pupiņu tvertnes vāciņu. (Zīm. 12)
- 2 Iepildiet Duo kafijas pupiņu tvertnē kafijas pupiņas. Jūs varat piepildīt Duo kafijas pupiņu tvertni ar divu dažādu veidu kafijas pupiņām. Pārļiecinieties, vai tvertnē ir pietiekams daudzums kafijas pupiņu vajadzīgajam pagatavojamās kafijas daudzumam (Zīm. 13).

Piezīme:

Vienmēr pārļiecinieties, vai kafijas pupiņu tvertne ir piepildīta vismaz līdz pusei.

Brīdinājums!

Lai izvairītos no kafijas dzirnaviņu nosprostošanās, neberiet tajās negraudētas vai karamelizētas kafijas pupiņas. Ieteicams izmantot kafijas pupiņas, nevis espresso kafijas pupiņas, jo tas var radīt ierīces bojājumus.

- 3 Lai atvērtu filtra groza turētāju, pavelciet tā cilpu kafijas automāta labajā pusē (Zīm. 14).
- 4 Ņemiet papīra filtru (tips: 1x4 vai Nr: 4) un nolokiet tā noslēgtās malas, lai pasargātu filtru no saplīšanas un salocīšanās. Novietojiet papīra filtru filtra grozā. (Zīm. 15)
- 5 Aizveriet filtra groza turētāju.
- 6 Ielieciet krūzi ierīcē. (Zīm. 7)
- 7 Pagrieziet maluma regulatoru, lai izvēlētos maluma veidu (no smalka līdz rupjam). (Zīm. 16)

Padoms.

Izmantojot maluma regulatoru, var izvēlēties kādu deviņiem dažādiem iestatījumiem. Mēs jau esam izvēlējušies 3 optimālus iestatījumus, bet jūs varat izvēlēties jebkuru iestatījumu starp ikonām. Iesakām izmēģināt dažādus maluma iestatījumus, lai atrastu sev vispiemērotāko.

- 8 Pagrieziet tvertnes selektoru, lai izvēlētos kādu no divu veidu kafijas pupiņām (Zīm. 17).

Brīdinājums!

Mainot kafijas pupiņu veidus vai papildinot kafijas tvertni, vienmēr būs atlikumi no iepriekš maltajām kafijas pupiņām. Notīriet dzirnaviņu piltuvei pēc tam, kad lietojat cita veida kafijas pupiņas, lai tvertnē nebūtu dažādi pupiņu veidi.

Piezīme:

Atkarībā no jūsu gaumes, jūs varat vai nu izvēlieties vienu no diviem kafijas pupiņu veidiem vai abus.

- 9** Nospiediet ieslēgšanas/izslēgšanas pogu ierīces priekšpusē (Zīm. 8).

- *Tasišu skaita ikona sāk mirgot.*

- 10** Lai izvēlētos tasišu skaitu, pagrieziet regulatoru, līdz vēlamais tasišu skaits redzams displejā (Zīm. 18).

Piezīme:

Pārlicinieties, ka ar pogu 2–10 tasišu pagatavošanai izvēlētais tasišu skaits atbilst ūdens daudzumam tvertnē. Ņemiet vērā, ka kafijas automāts izmantos visu ūdens tvertnē esošo ūdeni. Atlasot tasišu skaitu, kas ir mazāks par ielieto ūdens daudzumu, kafija būs vājāka, nekā gribējāt.

- 11** Nospiediet regulatora vidusdaļu, lai apstiprinātu tasišu skaitu.
- 12** Nospiediet stipruma izvēles pogu. (Zīm. 9)

- *Kafijas pupiņu ikonas sāk mirgot.*

- 13** Pagrieziet regulatoru, lai izvēlētos vēlamo kafijas stiprumu (vāja: 1 pupiņa, vidēja: 2 pupiņas vai stipra: 3 pupiņas) (Zīm. 10).

- *Displejā tiek parādīts izvēlētais kafijas stiprums.*

Padoms.

Iesakām izmēģināt dažādus ūdens daudzumus, lai noskaidrotu, kāds stiprums atbilst jūsu gaumei. Ja atlasāt tasišu skaitu, kas ir lielāks par ūdens daudzumu, kafija būs stiprāka. Ja atlasāt tasišu skaitu, kas ir mazāks par ūdens daudzumu, kafija būs vājāka.

- 14** Nospiediet regulatora vidusdaļu, lai apstiprinātu. Pēc tam nospiediet regulatora vidusdaļu vēlreiz, lai sāktu gatavošanas procesu (Zīm. 19).

- *Kafijas dzirnaviņas samals nepieciešamo daudzumu kafijas pupiņu.*

- 15** Pirms krūzes izņemšanas pagaidiet, līdz kafijas automāts pārtrauc darboties.

Piezīme:

Pēc kafijas pagatavošanas vēl dažas sekundes kafija pilēs no filtra groza.

5.3 Maltās kafijas izmantošana

Ja vēlaties izmantot malto kafiju, nevis kafijas pupiņas, rīkojieties kā aprakstīts tālāk.

- 1** Atveriet ūdens tvertni un piepildiet to ar atbilstošu daudzumu vēsa ūdens. (Zīm. 6)
- 2** Lai atvērtu filtra groza turētāju, pavelciet tā cilpu kafijas automāta labajā pusē (Zīm. 14).
- 3** Ņemiet papīra filtru (tips: 1x4 vai Nr: 4) un nolokiet tā noslēgtās malas, lai pasargātu filtru no saplīšanas un salocišanās. Novietojiet papīra filtru filtra grozā (Zīm. 15).
- 4** Ieberiet malto kafiju papīra filtrā.

Piezīme:

Varat pielāgot kafijas stiprumu atbilstoši savai garšas izjūtai. Vidēji stipras kafijas pagatavošanai ieberiet vienu mērkaroti (aptuveni 6 g) maltās kafijas uz katru kafijas tasi (120 ml). Lai kafija būtu stiprāka, ieberiet 1,5 mērkarotes ar malto kafiju katrai kafijas tasei.

- 5** Aizveriet filtra groza turētāju.
- 6** Ielieciet krūzi ierīcē (Zīm. 7).
- 7** Piespiediet ieslēgšanas/izslēgšanas pogu (Zīm. 8).
- *Iedegas displejs.*
- 8** Nospiediet stipruma izvēles pogu (Zīm. 9).
- 9** Pagrieziet regulatoru, lai izvēlētos maltās kafijas iestatījumu (Zīm. 10).
- *Tiek izgaismota maltās kafijas poga.*

- 10** Nospiediet regulatora vidusdaļu, lai apstiprinātu. Pēc tam nospiediet regulatora vidusdaļu vēlreiz, lai sāktu gatavošanas procesu (Zīm. 11).

- 11** Pirms krūzes izņemšanas pagaidiet, līdz kafijas automāts pārtrauc darboties.

Piezīme:

Pēc kafijas pagatavošanas vēl dažas sekundes kafija pilēs no filtra groza.

5.4 Taimera noregulēšana

Taimeris sniedz iespēju ieprogrammēt laiku, kad jāsākas kafijas pagatavošanas procesam. Pirms taimera iestatīšanas pārliecinieties, ka visas kafijas pagatavošanas darbības ir pabeigtas (tiek izmantota maltā kafija vai kafijas pupiņas).

- 1 Nospiediet taimera pogu. (Zīm. 20)
 - *Displejā mirgo 00:00, norādot, ka ir jāiestata taimeris.*
- 2 Pagrieziet regulatoru, lai iestatītu stundas (Zīm. 21).
- 3 Nospiediet regulatora vidusdaļu, lai apstiprinātu stundu (Zīm. 22).
 - *Minūtes sāk mirgot norādot, ka ir jāiestata minūtes.*
- 4 Pagrieziet regulatoru, lai iestatītu minūtes (Zīm. 23).
- 5 Nospiediet regulatora vidusdaļu, lai apstiprinātu minūtes (Zīm. 24).
 - *Taimeris ir iestatīts un kafijas pagatavošanas process sāksies iestatītajā laikā.*

5.5 Pilēšanas apturēšanas funkcija

Pilēšanas apturēšanas funkcija ļauj noņemt krūzi no kafijas automāta pirms pagatavošanas procesa pabeigšanas. Kad noņemat krūzi, pilēšanas apturēšanas funkcija pārtrauc kafijas padevi uz krūzi.

Piezīme:

Izņemot krūzi, kafijas pagatavošanas process netiek pārtraukts. Ja 20 sekunžu laikā krūzi nenoliksiet atpakaļ ierīcē, filtra grozs pārplūdis.

6 Tīrīšana un kopšana

6.1 Tīrīšana pēc katras lietošanas reizes

Brīdinājums!

Nekad neiegremdējiet ierīci ūdenī vai kādā citā šķidrumā, un neskalojiet to tekošā krāna ūdenī.

- 1 Nospiediet ieslēgšanas/izslēgšanas pogu ierīces priekšpusē, lai izslēgtu ierīci. (Zīm. 25)
- 2 Izvelciet elektrības kontaktdakšu no sienas kontaktligzdas.
- 3 Noslaukiet kafijas automāta ārpusi ar mitru drānu (Zīm. 26).
- 4 Tīriet filtra grozu un krūzi trauku mazgāšanas mašīnā vai karstā ūdenī, kam pievienots mazgāšanas līdzeklis.

6.2 Dzirnaviņu piltuves tīrīšana

Mainot kafijas pupiņu tvertnes vai pupiņu veidus, vienmēr paliks iepriekšējo malto kafijas pupiņu atliekas, kas var ietekmēt jūsu kafijas garšu. Tīriet dzirnaviņu piltuvi ik pēc 1-2 nedēļām, lai novērstu svaigi maltās kafijas un dzirnaviņu piltuvē atlikušās kafijas sajaukšanos. Pēc pārslēgšanas uz jaunu kafijas pupiņu veidu izpildiet darbības, lai nodrošinātu optimālu garšu.

- 1 Nospiediet ieslēgšanas/izslēgšanas pogu ierīces priekšpusē, lai izslēgtu ierīci (Zīm. 25).
- 2 Lai atvērtu filtra groza turētāju, pavelciet tā cilpu kafijas automāta labajā pusē (Zīm. 14).
- 3 Ņemiet papīra filtru (tips: 1x4 vai Nr. 4) un nolokiet tā noslēgtās malas, lai pasargātu filtru no saplīšanas un salocīšanās. Novietojiet papīra filtru filtra grozā. (Zīm. 15)
- 4 Aizveriet filtra groza turētāju.
- 5 Lai atvērtu dzirnaviņu piltuves vāku, ievietojiet tīrīšanas birstes roktura plakano galu slēdzenē un nospiediet uz leju (Zīm. 27).

Piezīme:

Ja vēlaties iztīrīt dzirnaviņu piltuvi ātri tikai ar suku, lūdzu, turpiniet ar 7. darbību. Ja vēlaties atbrīvoties no maltās kafijas paliekām, kas var ietekmēt jaunās kafijas garšu, lūdzu turpināt ar 6. darbību.

- 6** Nospiediet un 4 sekundes turiet nospiestu stipruma iestatīšanas pogu (Zīm. 28).
 - **Kafijas dzirnaviņas patstāvīgi sāk tīrīšanu.**
- 7** Kad dzirnaviņas ir beigušas tīrīšanu, ar tīrīšanas suku iztīriet maltās kafijas pārpalikumus piltuves apakšējā daļā (Zīm. 29).
 - **Maltās kafijas pārpalikumi iebirs filtra grozā.**

Brīdinājums!

Neņemiet suku dzirnaviņu piltuvē.

- 8** Aizveriet dzirnaviņu piltuves vāku.
- 9** Izņemiet papīra filtru ar kafijas biezumiem un izmetiet to.

6.3 Kafijas automāta atkalķošana

Atkalķojiet kafijas automātu, ja ievērojat, ka no tā izplūst pārāk liels tvaika daudzums, vai ja gatavošanas laiks kļūst ilgāks. Ieteicams atkalķot ik pēc diviem mēnešiem. Atkalķošanai izmantojiet tikai balto etiķi, jo citi produkti var radīt kafijas automāta bojājumus.

Brīdinājums!

Lai atkalķotu ierīci, nekādā gadījumā neizmantojiet etiķi, kura etiķskābes koncentrācija ir 8% vai augstāka, dabīgo etiķi, pulverveida vai tablešu veida atkalķotājus, jo tādējādi ierīci var sabojāt.

- 1** Atveriet ūdens tvertnes vāku.
- 2** Ielejiet tajā 8 krūzītes baltā etiķa (4% etiķskābi) un 2 krūzītes ūdens (Zīm. 6).
- 3** Ielieciet filtra grozā papīra filtru (nr: 4) un aizveriet filtra groza turētāju (Zīm. 15).
- 4** Ielieciet tukšo krūzi ierīcē (Zīm. 7).
- 5** Ievietojiet kontaktdakšu sienas kontaktlīdždā.
- 6** Nospiediet ieslēgšanas/izslēgšanas pogu ierīces priekšpusē, lai ieslēgtu ierīci (Zīm. 8).
 - **Iedegas displejs.**
- 7** Nospiediet stipruma izvēles pogu un pagrieziet regulatoru, lai izvēlētos maltās kafijas iestatījumu (Zīm. 10).
- 8** Nospiediet regulatora vidusdaļu, lai apstiprinātu. Pēc tam nospiediet regulatora vidusdaļu vēlreiz, lai sāktu gatavošanas procesu (Zīm. 11).
- 9** Gaidiet, līdz krūzē ietek puse ūdens un etiķa maisījuma. Tad nospiediet ieslēgšanas/izslēgšanas pogu, lai apturētu pagatavošanas procesu, un ļaujiet maisījumam vismaz 15 minūtes ievilkties (Zīm. 30).
- 10** Nospiediet ieslēgšanas/izslēgšanas pogu, lai ieslēgtu kafijas automātu (Zīm. 8).
- 11** Nospiediet pogas vidusdaļu divreiz, lai ierīce pabeigtu gatavošanas procesu (Zīm. 31).
- 12** Iztukšojiet krūzi un izmetiet papīra filtru.
- 13** Piepildiet ūdens tvertni ar aukstu ūdeni un divreiz nospiediet regulatora vidusdaļu, lai sāktu jaunu kafijas pagatavošanas procesu. Gaidiet, līdz kafijas automāts pabeidz visu procesu, un iztukšojiet krūzi.
- 14** Atkārtojiet 13. darbību, līdz ūdenim vairs nav jūtama etiķa piegarša vai smarža.
- 15** Tīriet filtra grozu un krūzi trauku mazgāšanas mašīnā vai karstā ūdenī, kam pievienots mazgāšanas līdzeklis.
- 16** Nospiediet ieslēgšanas/izslēgšanas pogu ierīces priekšpusē, lai izslēgtu ierīci.

7 Piederumu pasūtīšana

Lai iegādātos piederumus vai rezerves daļas, apmeklējiet vietni www.shop.philips.com/service vai vērsieties pie sava Philips izplatītāja. Varat arī sazināties ar Philips klientu apkalpošanas centru savā valstī (kontakthinformāciju skatiet pasaules garantijas bukletā).

8 Otrreizējā pārstrāde

- Šis simbols uz produkta nozīmē, ka uz šo produktu attiecas Eiropas direktīva 2012/19/ES. Iegūstiet informāciju par vietējo nolietoto elektrisko un elektronisko ierīču atsevišķas savākšanas sistēmu. Ievērojiet vietējo likumdošanu un nekādā gadījumā nenododiet šo produktu kopā ar sadzīves atkritumiem. Pareiza atbrīvošanās no vecajiem produktiem palīdz novērst negatīvas sekas uz vidi un cilvēku veselību (Zīm. 32).

9 Garantija un atbalsts

Ja nepieciešama informācija vai atbalsts, lūdzu, apmeklējiet vietni www.philips.com/support vai atsevišķo pasaules garantijas bukletu.

10 Traucējummeklēšana

Šajā nodaļā ir apkopotas izplatītākās problēmas, kādas var rasties, rīkojoties ar ierīci. Ja nevarat atrisināt problēmu, izmantojot turpmāko informāciju, apmeklējiet vietni www.philips.com/support un skatiet bieži uzdoto jautājumu sarakstu vai sazinieties ar klientu apkalpošanas centra darbiniekiem savā valstī.

Ierīce nedarbojas.

- Ievietojiet kontaktdakšu sienas kontaktligzdā un nospiediet ieslēgšanas/izslēgšanas pogu ierīces priekšpusē, lai ieslēgtu ierīci.
- Pārliedzieties, vai uz ierīces norādītais spriegums atbilst elektrotīkla spriegumam jūsu mājā.
- Piepildiet ūdens tvertni ar ūdeni.
- Aizveriet dzirnaviņu piltuves vāku.

Izmantojot dzirnaviņas, kafija ir pārāk vāja.

- Pārliedzieties, vai tašīšu skaits, ko izvēlējāties, izmantojot pogu 2–10 tašīšu pagatavošanai, atbilst ūdens tvertnē ielietajam ūdens daudzumam. Ņemiet vērā, ka kafijas automāts izlietos visu ūdens tvertnē ielieto ūdeni.
- Lai kafijas stiprumu iestatītu kā "strong" (stipra), izmantojiet stipruma izvēles pogu.
- Ja izmantojat kafijas pupiņas, pārliedzieties, ka nospiedāt maltās kafijas pogu, jo tādējādi tiek izslēgtas kafijas dzirnaviņas.
- Izmantojiet stiprāka maisījuma vai garšas pupiņas.
- Pārliedzieties, ka izvēlētais krūzīšu skaits atbilst ūdens tvertnē esošajam ūdens daudzumam.

Izmantojot maltu kafiju, kafija ir pārāk vāja.

- Pārliedzieties, ka maltās kafijas daudzums filtrā ir atbilstošs ūdens tvertnē ielietajam ūdens daudzumam. Lūdzu, ņemiet vērā, ka ierīce izlietos visu ūdens tvertnē ielieto ūdeni.
- Izmantojiet stiprāka maisījuma vai garšas malto kafiju.
- Lai kafija būtu stiprāka, palieliniet maltās kafijas daudzumu vai arī samaziniet ūdens daudzumu.

Filtrs pārplūst, kad krūze tiek izņemta no ierīces kafijas pagatavošanas laikā.

- Ja kafijas gatavošanas procesa laikā krūze ir izņemta ilgāk par 20 sekundēm, pilēšanas apturēšanas elements izraisa filtra turētāja pārplūšanu. Ņemiet vērā, ka kafija ir pilnībā gatava tikai tad, kad pagatavošanas process ir pabeigts. Tāpēc nav ieteicams izņemt un iztukšot krūzi pirms pagatavošanas procesa beigām.

Ierīce turpina pilēt vēl ilgi pēc pagatavošanas procesa beigām.

- Pilēšanu izraisa tvaika kondensāts. Tas neliecina par problēmu, ja vēl kādu brīdi ierīce turpina pilēt.
- Ja pilēšana turpinās, iespējams, ir aizsērējusi pilienapture. Lai iztīrītu pilienapturi, pavelciet filtra groza turētāja cilni pa labi no kafijas automāta, lai atvērtu turētāju. Izņemiet filtra grozu. Pēc tam izskalojiet filtra grozu un pilienapturi tekošā ūdenī.
- Ja kafijas gatavošanas procesa laikā krūze ir izņemta ilgāk par 20 sekundēm, pilēšanas apturēšanas elements izraisa filtra turētāja pārplūšanu.

Kafija nav pietiekami karsta.

- Pirms kafijas pagatavošanas uzsildiet krūzi ar karstu ūdeni.
- Kafija krūzē atdziest ātrāk, ja pagatavojat tikai dažas tasītes. Kafija ir karsta ilgāku laiku, ja pagatavojat 10 tasītes, t.i. pilnu krūzi.
- Lietojiet plānas tasītes, jo tās absorbē mazāk kafijas siltuma nekā biezas tasītes.
- Nelietojiet tikko no ledusskapja izņemtu pienu.
- Atkalļaujiet ierīci. Skatiet sadaļu "Kafijas automāta atkalļošana" nodaļā "Tīršana un apkope".

Kafijas automāts nesāk dzirnaviņu piltuves tīršanu.

- Pārliecinieties, ka kafijas automāts ir pievienots elektrotīklam.
- Noteikti atveriet dzirnaviņu piltuves vāku, pirms nospiežat un turat dzirnaviņu pogu.
- Nospiediet un 4 sekundes turiet nospiestu dzirnaviņu pogu, līdz dzirnaviņas sāk tīršanu.

Ierīce darbojas, bet izdod pīkstošu skaņu.

- Lūdzu, pārbaudiet, vai dzirnaviņu piltuves vāks ir pareizi aizvērts.

Kafijas pupiņas, šķiet, ir beigušās pārāk ātri.

- Var šķist, ka kafijas pupiņas tiek izmantotas pārāk ātri. Lai nodrošinātu perfektu kafiju, nepieciešams noteikts maltās kafijas daudzums. Ierīce izmanto noteiktu kafijas pupiņu daudzumu, lai iegūtu ideālu maltas kafijas porciju, un tas ir normāli.

1 Wprowadzenie

Gratulujemy zakupu i witamy wśród użytkowników produktów Philips! Aby w pełni skorzystać z pomocy oferowanej przez firmę Philips, zarejestruj swój produkt na stronie www.philips.com/welcome.

2 Opis ogólny (rys. 1)

- 1 Koszyk filtra
- 2 Uchwyt koszyka filtra
- 3 Wskaźnik poziomu wody
- 4 Pokrywa zbiornika wody
- 5 Pokrywa pojemnika na ziarna kawy
- 6 Przełącznik wyboru pojemnika
- 7 Pokrętło grubości mielenia
- 8 Podwójny pojemnik na ziarna kawy
- 9 Pokrywka lejka młynka
- 10 Blokada pokrywki lejka młynka
- 11 Otwór wlewowy wody
- 12 Wyświetlacz
 - A Ikona zmielonej kawy
 - B Liczba filiżanek
 - C Ikona filiżanki kawy
 - D Ikona wyboru mocy kawy
 - E Przycisk wyboru mocy
 - F Przycisk zegara
 - G Wskazanie godziny
 - H Wskazanie minut
 - I Ikona zegara
- 13 Wyłącznik
- 14 Pokrywka szklanego dzbanka
- 15 Szklany dzbanek
- 16 Szczoteczka do czyszczenia

3 Ważne

Przed rozpoczęciem korzystania z urządzenia zapoznaj się dokładnie z jego instrukcją obsługi. Instrukcję warto też zachować na przyszłość.

3.1 Niebezpieczeństwo

- Nie zanurzaj urządzenia w wodzie ani innym płynie. Nie opłukuj go pod bieżącą wodą.

3.2 Ostrzeżenie

- Przed podłączeniem urządzenia upewnij się, czy napięcie podane na spodzie urządzenia jest zgodne z napięciem w sieci elektrycznej.
- Ze względów bezpieczeństwa wymianę uszkodzonego przewodu sieciowego należy zlecić autoryzowanemu centrum serwisowemu firmy Philips lub odpowiednio wykwalifikowanej osobie.
- Urządzenie może być używane przez dzieci w wieku powyżej 8 lat oraz osoby z ograniczonymi zdolnościami fizycznymi, sensorycznymi lub umysłowymi, a także nieposiadające wiedzy lub doświadczenia w zakresie użytkowania tego typu urządzeń, pod warunkiem, że będą one nadzorowane lub zostaną poinstruowane na temat korzystania z tego urządzenia w bezpieczny sposób oraz zostaną poinformowane o potencjalnych zagrożeniach. Czyszczenie i konserwacja nie powinny być przeprowadzane przez dzieci; wyjątek stanowią dzieci powyżej 8. roku życia, które są odpowiednio nadzorowane. Urządzenie i przewód należy przechowywać w miejscu niedostępnym dla dzieci poniżej 8 lat.
- Dzieci nie mogą bawić się urządzeniem.
- Nie pozostawiaj przewodu sieciowego wiszącego ze stołu lub blatu kuchennego, na którym umieszczono urządzenie.
- Nie dotykaj modułów wirnika urządzenia, zwłaszcza gdy jest ono podłączone do sieci elektrycznej.

- Elementy opakowania (plastikowe torby, tekturowe pudła itp.) przechowuj w miejscu niedostępnym dla dzieci, ponieważ nie służą do zabawy.
- Nie dotykaj rozgrzanych powierzchni urządzenia w trakcie jego pracy.
- To urządzenie jest przeznaczone do mielenia ziaren kawy i przygotowywania kawy. Używaj go prawidłowo i z odpowiednią ostrożnością, aby nie poparzyć się gorącą wodą i parą.
- Nie opróżniaj zbiornika wody poprzez przechylenie urządzenia. Może to doprowadzić do uszkodzenia urządzenia. Zbiornik wody należy opróżnić, wykonując instrukcje przepłukiwania.
- Nie używaj urządzenia, jeśli uszkodzona jest wtyczka, przewód sieciowy lub samo urządzenie.
- W przypadku wystąpienia problemu, którego nie można rozwiązać, korzystając z zaleceń zawartych w niniejszej instrukcji obsługi, skontaktuj się z Centrum Obsługi Klienta w danym kraju. Jeśli problemu nie można rozwiązać, oddaj urządzenie do autoryzowanego centrum serwisowego firmy Philips do przeglądu lub naprawy. Nie próbuj naprawiać urządzenia samodzielnie, ponieważ spowoduje to unieważnienie gwarancji.

3.3 Uwaga

- Nie stawiaj urządzenia na rozgrzanej powierzchni i nie dopuszczaj do zetknięcia się przewodu sieciowego z rozgrzаныmi częściami urządzenia.
- W przypadku wystąpienia problemów podczas mielenia lub parzenia oraz przed czyszczeniem urządzenia wyjmij wtyczkę urządzenia z gniazdka elektrycznego.
- Nie przesuвай urządzenia podczas jego działania.
- Urządzenie mocno się nagrzewa podczas pracy. Przed schowaniem urządzenia odczekaj, aż ostygnie.
- Podczas parzenia kawy dolna część urządzenia i spód dzbanka nagrzewają się.
- Po rozpakowaniu urządzenia sprawdź, czy jest kompletne i nieuszkodzone. W przypadku wątpliwości nie używaj go, lecz skontaktuj się z Centrum Obsługi Klienta w danym kraju.
- To urządzenie jest przeznaczone wyłącznie do użytku domowego. Nie jest przeznaczone do użytku w takich miejscach, jak kuchnie dla pracowników w sklepach, biurach, gospodarstwach agroturystycznych lub innych miejscach pracy. Nie jest również przeznaczone do użytku w hotelach, motelach, pensjonatach ani innych tego typu miejscach.

3.4 Pola elektromagnetyczne (EMF)

To urządzenie firmy Philips spełnia wszystkie normy i jest zgodne z wszystkimi przepisami dotyczącymi narażenia na działanie pól elektromagnetycznych.

4 Przed pierwszym użyciem

4.1 Ustawianie zegara

- 1 Włóż wtyczkę przewodu sieciowego do gniazdka elektrycznego.
 - *Na wyświetlaczu będzie migać wskazanie 00:00, co oznacza, że należy ustawić zegar.*
- 2 Obróć pokrętkę, aby ustawić godzinę (rys. 2).
- 3 Naciśnij środkową część pokrętki, aby potwierdzić godzinę (rys. 3).
 - *Wskazanie minut zacznie migać, co oznacza, że należy ustawić minuty.*
- 4 Obróć pokrętkę, aby ustawić minuty (rys. 4).
- 5 Naciśnij środkową część pokrętki, aby potwierdzić minuty (rys. 5).
- 6 Na ekranie zostanie wyświetlony ustawiony zegar. Ekspres do kawy jest gotowy do użycia.

4.2 Ustawianie czasu automatycznego wyłączenia

Można ustawić czas, po którym urządzenie automatycznie się wyłączy. Domyślnym ustawieniem tej funkcji jest 30 minut. Można dostosować to ustawienie — maksymalny czas wynosi 120 minut. Aby zmienić ustawienie funkcji automatycznego wyłączenia, postępuj zgodnie z poniższymi instrukcjami.

- 1 Upewnij się, że urządzenie jest wyłączone (ale wtyczka przewodu sieciowego jest włożona do gniazdka elektrycznego).
- 2 Naciśnij i przytrzymaj środkową część pokrętki do czasu, aż wyświetlacz zacznie migać.
- 3 Obróć pokrętkę, aby skrócić lub wydłużyć czas. Dostępne są pozycje od 1 do 12, którym odpowiada kolejno liczba minut: 10, 20, 30 itd. aż do 120.
- 4 Naciśnij środkową część pokrętki, aby potwierdzić minuty.

Uwaga:

Urządzenie zawsze zapisuje ostatnio wybrane ustawienie.

4.3 Płukanie urządzenia

Ekspres do kawy należy przepłukać przed pierwszym użyciem.

- 1 Otwórz pokrywkę zbiornika wody. Napełnij zbiornik świeżą, zimną wodą **do oznaczenia 8 filiżanek (rys. 6).**

Uwaga:

Nie wkładaj do urządzenia ziaren kawy ani kawy mielonej.

- 2 Zamknij pokrywkę zbiornika wody.
- 3 Ustaw dzbanek w urządzeniu (rys. 7).
- 4 Naciśnij wyłącznik (rys. 8).
 - *Wyświetlacz zaświeci się.*
- 5 Naciśnij przycisk wyboru mocy (rys. 9).
- 6 Obróć pokrętkę, aby wybrać ustawienie zmielonej kawy (rys. 10).
 - *Zaświeci się ikona zmielonej kawy.*
- 7 Naciśnij środkową część pokrętki, aby potwierdzić. Następnie ponownie naciśnij środkową część pokrętki, aby rozpocząć proces płukania (rys. 11).
- 8 Urządzenie musi pozostać włączone do czasu zakończenia procesu płukania.
- 9 Opróżnij dzbanek.

5 Zasady używania urządzenia

5.1 Napełnianie zbiornika wody

1 Otwórz pokrywkę zbiornika wody i napełnij go odpowiednią ilością zimnej wody. (rys. 6)
Po otwarciu pokrywki zbiornika wody można zobaczyć znajdujące się wewnątrz urządzenia oznaczenia od 2 do 10 filiżanek. Pomagają one określić, ile wody należy wlać do zbiornika wody. W miarę wlewania do zbiornika ilości wody odpowiadającej kolejnym filiżankom odbicie zmienia kolor z jasnego na ciemny. Można również korzystać ze wskaźnika poziomu wody na dzbanku.

Uwaga:

Nie napełniaj zbiornika wodą powyżej oznaczenia 10 filiżanek.

5.2 Używanie ziaren kawy

Ostrzeżenie:

Podczas napełniania pojemnika na ziarna kawy zbiornik wody powinien zawsze być zamknięty pokrywką. W innym wypadku ziarna kawy mogą wpaść do zbiornika wody i zablokować otwór wlewowy wody.

- 1** Zdejmij pokrywkę pojemnika na ziarna kawy. (rys. 12)
- 2** Napełnij podwójny pojemnik na ziarna kawy. Można go napełnić dwoma różnymi rodzajami ziaren. Upewnij się, że w pojemniku znajduje się wystarczająca ilość ziaren w stosunku do ilości kawy, jaką chcesz zaparzyć (rys. 13).

Uwaga:

Pojemnik na ziarna kawy powinien zawsze być co najmniej w połowie pełny.

Ostrzeżenie:

Aby zapobiec zatkanemu młynka, nie należy używać prażonych ani karmelizowanych ziaren kawy. Zalecamy używanie zwykłych ziaren kawy, a nie specjalnych ziaren do espresso, ponieważ ich użycie mogłoby spowodować uszkodzenie urządzenia.

- 3** Aby otworzyć uchwyt koszyka filtra, pociągnij za zacisk po prawej stronie ekspresu do kawy (rys. 14).
- 4** Weź filtr papierowy (typ 1x4 lub nr 4) i zagnij zaklejone brzegi, aby uniknąć jego rozdarcia lub złożenia. Umieść filtr papierowy w koszyku filtra. (rys. 15)
- 5** Zamknij uchwyt koszyka filtra.
- 6** Ustaw dzbanek w urządzeniu. (rys. 7)
- 7** Obróć pokrętko grubości mielenia, aby wybrać określony sposób mielenia kawy (od drobnej do gruboziarnistej). (rys. 16)

Wskazówka:

Pokrętko grubości mielenia umożliwia wybór jednego z 9 dostępnych ustawień. Chociaż dostępne są 3 wstępnie wybrane, optymalne ustawienia, można również wybrać ustawienie między ikonami. Zalecamy wypróbowanie różnych ustawień grubości mielenia w celu określenia swoich preferencji.

- 8** Obróć przełącznik wyboru pojemnika, aby wybrać jeden z dwóch rodzajów ziaren kawy (rys. 17).

Ostrzeżenie:

W przypadku zmiany pojemnika na ziarna kawy lub rodzaju kawy w urządzeniu będą nadal znajdować się pozostałości ziaren poprzedniego rodzaju. Aby temu zapobiec, po wyborze innego rodzaju ziaren kawy wyczyść lejek młynka.

Uwaga:

W zależności od swoich preferencji można wybrać jeden z dwóch rodzajów ziaren kawy lub połączyć oba rodzaje.

- 9** Naciśnij wyłącznik z przodu urządzenia (rys. 8).
- **Liczba filiżanek zacznie migać.**
- 10** Aby wybrać liczbę filiżanek, obróć pokrętło, aż na wyświetlaczu pojawi się żądana liczba filiżanek (rys. 18).

 **Uwaga:**

Upewnij się, że liczba filiżanek wybrana za pomocą przycisku 2–10 filiżanek odpowiada ilości wody w zbiorniku. Pamiętaj, że ekspres do kawy wykorzystuje całą wodę znajdującą się w zbiorniku. Jeśli zostanie wybrana zbyt mała liczba filiżanek w stosunku do ilości wody, kawa będzie słabsza.

- 11** Naciśnij środkową część pokrętła, aby potwierdzić liczbę filiżanek.
- 12** Naciśnij przycisk wyboru mocy. (rys. 9)
- **Ikony ziaren kawy zaczną migać.**
- 13** Obróć pokrętło, aby wybrać żądaną moc kawy (łagodna: 1 ziarno; średnia: 2 ziarna; mocna: 3 ziarna) (rys. 10).
- **Na wyświetlaczu zostanie wyświetlona wybrana moc kawy.**

 **Wskazówka:**

Zalecamy wypróbowanie różnych ilości wody w celu określenia preferowanej mocy kawy. Jeśli zostanie wybrana liczba filiżanek, dla której potrzeba więcej wody, niż jest w zbiorniku, kawa będzie mocniejsza. Jeśli zostanie wybrana liczba filiżanek, dla której potrzeba mniej wody, niż jest w zbiorniku, kawa będzie słabsza.

- 14** Naciśnij środkową część pokrętła, aby potwierdzić. Następnie ponownie naciśnij środkową część pokrętła, aby rozpocząć proces parzenia (rys. 19).
- **Młynek mieli wymagać ilość ziaren kawy.**
- 15** Zaczekaj na zakończenie procesu parzenia przed wyjęciem dzbanka.

 **Uwaga:**

Po zaparzeniu kawa ścieka przez kilka sekund z koszyka filtra.

5.3 Używanie zmielonej kawy

Jeśli zamiast ziaren kawy chcesz użyć zmielonej kawy, postępuj zgodnie z poniższymi instrukcjami.

- 1** Otwórz pokrywkę zbiornika wody i napełnij go odpowiednią ilością zimnej wody. (rys. 6)
- 2** Aby otworzyć uchwyt koszyka filtra, pociągnij za zacisk po prawej stronie ekspresu do kawy (rys. 14).
- 3** Weź filtr papierowy (typ 1x4 lub nr 4) i zagnij zaklejone brzegi, aby uniknąć jego rozdarcia lub złożenia. Umieść filtr papierowy w koszyku filtra (rys. 15).
- 4** Wsyp zmieloną kawę do papierowego filtra.

 **Uwaga:**

Istnieje możliwość dostosowania mocy kawy do swoich preferencji. Aby zaparzyć kawę o średniej mocy naparzu, należy użyć jednej miarki (ok. 6 g) zmielonej kawy na każdą filiżankę (120 ml). Aby uzyskać mocniejszą kawę, należy użyć 1,5 miarki zmielonej kawy na każdą filiżankę kawy.

- 5** Zamknij uchwyt koszyka filtra.
- 6** Ustaw dzbanek w urządzeniu (rys. 7).
- 7** Naciśnij wyłącznik (rys. 8).
- **Wyświetlacz zaświeci się.**
- 8** Naciśnij przycisk wyboru mocy (rys. 9).
- 9** Obróć pokrętło, aby wybrać ustawienie zmielonej kawy (rys. 10).
- **Zaświeci się ikona zmielonej kawy.**
- 10** Naciśnij środkową część pokrętła, aby potwierdzić. Następnie ponownie naciśnij środkową część pokrętła, aby rozpocząć proces parzenia (rys. 11).
- 11** Zaczekaj na zakończenie procesu parzenia przed wyjęciem dzbanka.

 **Uwaga:**

Po zaparzeniu kawa ścieka przez kilka sekund z koszyka filtra.

5.4 Ustawianie zegara programowanego

Zegar programowany umożliwia ustawienie godziny, o której ma się rozpocząć proces parzenia. Przed ustawieniem zegara upewnij się, że wszystkie czynności związane z parzeniem kawy są wykonane z użyciem zmielonej kawy lub ziaren kawy.

- 1 Naciśnij przycisk zegara. (rys. 20)
 - *Na ekranie będzie migać wskazanie 00:00, co oznacza, że należy ustawić zegar.*
- 2 Obróć pokrętkę, aby ustawić godzinę (rys. 21).
- 3 Naciśnij środkową część pokrętki, aby potwierdzić godzinę (rys. 22).
 - *Wskazanie minut zacznie migać, co oznacza, że należy ustawić minuty.*
- 4 Obróć pokrętkę, aby ustawić minuty (rys. 23).
- 5 Naciśnij środkową część pokrętki, aby potwierdzić minuty (rys. 24).
 - *Zegar zostanie zaprogramowany. Proces parzenia rozpocznie się o godzinie wybranej przez użytkownika.*

5.5 Funkcja blokady kapania

Funkcja blokady kapania umożliwia odłączenie dzbanka od ekspresu do kawy przed zakończeniem procesu parzenia. Po odłączeniu dzbanka blokada kapania zatrzyma spływanie kawy do dzbanka.

Uwaga:

Proces parzenia nie kończy się z chwilą wyjęcia dzbanka. Jeśli dzbanek nie zostanie odstawiony z powrotem do urządzenia w ciągu 20 sekund, zawartość koszyka filtra wycieknie.

6 Czyszczenie i konserwacja

6.1 Czyszczenie po każdym użyciu

Ostrzeżenie:

Nie zanurzaj urządzenia w wodzie ani innym płynie. Nie oplukuj go pod bieżącą wodą.

- 1 Naciśnij wyłącznik z przodu urządzenia, aby je wyłączyć. (rys. 25)
- 2 Wyjmij wtyczkę przewodu sieciowego z gniazdka elektrycznego.
- 3 Przetrzyj obudowę ekspresu do kawy wilgotną szmatką (rys. 26).
- 4 Umyj koszyk filtra oraz dzbanek w zmywarce lub w gorącej wodzie z dodatkiem niewielkiej ilości płynu do mycia naczyń.

6.2 Czyszczenie lejka młynka

W przypadku zmiany rodzaju ziaren lub zmiany pojemnika na ziarna kawy w urządzeniu będą nadal znajdować się pozostałości ziaren poprzedniego rodzaju, które mogą mieć wpływ na smak kawy. Aby zapobiec mieszaniu się świeżo zmielonej kawy i pozostałości znajdujących się w lejku młynka, czyść lejek co 1–2 tygodnie lub przy każdej zmianie pojemnika. Po rozpoczęciu stosowania nowego rodzaju ziaren postępuj zgodnie z poniższymi instrukcjami, aby uzyskać najlepszy smak.

- 1 Naciśnij wyłącznik z przodu urządzenia, aby je wyłączyć (rys. 25).
- 2 Aby otworzyć uchwyt koszyka filtra, pociągnij za zacisk po prawej stronie ekspresu do kawy (rys. 14).
- 3 Weź filtr papierowy (typ 1x4 lub nr 4) i zagnij zaklejone brzegi, aby uniknąć jego rozdarcia lub złożenia. Umieść filtr papierowy w koszyku filtra. (rys. 15)
- 4 Zamknij uchwyt koszyka filtra.

5 Aby otworzyć pokrywkę lejka młynka, umieść płaski koniec uchwyty szczoteczki do czyszczenia w blokadzie i dociśnij go (rys. 27).

Uwaga:

Aby w szybki sposób wyczyścić lejek młynka samą szczoteczka, należy przejść do kroku 7. Aby zapobiec sytuacji, w której pozostałości użytej poprzednio kawy wpływają na smak naparu, należy przejść do kroku 6.

6 Naciśnij i przytrzymaj przycisk wyboru mocy przez 4 sekundy (rys. 28).

- **Rozpocznie się proces samoczyszczenia młynka.**

7 Aby usunąć osad z kawy mielonej z dolnej części lejka, po zakończeniu procesu czyszczenia młynka użyj szczoteczki do czyszczenia (rys. 29).

- **Osad z kawy mielonej opadnie do koszyka filtra.**

Ostrzeżenie:

Uważaj, aby nie upuścić szczoteczki do lejka młynka.

8 Zamknij pokrywkę lejka młynka.

9 Wyjmij filtr papierowy z osadem mielonej kawy i wyrzuć go.

2 Nalej do zbiornika wody 8 filiżanek octu (4% kwas octowy) oraz 2 filiżanki wody (rys. 6).

3 Umieść filtr papierowy (nr 4) w koszyku filtra i zamknij uchwyt koszyka filtra (rys. 15).

4 Ustaw pusty dzbanek w urządzeniu (rys. 7).

5 Włóż wtyczkę przewodu sieciowego do gniazdka elektrycznego.

6 Naciśnij wyłącznik z przodu urządzenia, aby je włączyć (rys. 8).

- **Wyświetlacz zaświeci się.**

7 Naciśnij przycisk wyboru mocy i obróć pokrętkę, aby wybrać ustawienie zmielonej kawy (rys. 10).

8 Naciśnij środkową część pokrętki, aby potwierdzić. Następnie ponownie naciśnij środkową część pokrętki, aby rozpocząć proces parzenia (rys. 11).

9 Poczekaj, aż połowa roztworu octu i wody znajdzie się w dzbanku. Następnie naciśnij wyłącznik, aby zatrzymać proces parzenia, i pozostaw roztwór w ekspresie na co najmniej 15 minut (rys. 30).

10 Naciśnij wyłącznik, aby ponownie włączyć ekspres (rys. 8).

11 Naciśnij raz środkową część pokrętki, aby umożliwić zakończenie procesu parzenia w urządzeniu (rys. 31).

12 Opróżnij dzbanek i wyrzuć papierowy filtr.

13 Napełnij zbiornik zimną wodą i naciśnij dwa razy środkową część pokrętki, aby rozpocząć kolejny proces parzenia. Poczekaj, aż ekspres zakończy cały proces parzenia i opróżnij dzbanek.

14 Powtarzaj krok 13 do czasu, aż woda straci posmak i zapach octu.

15 Umyj koszyk filtra oraz dzbanek w zmywarce lub w gorącej wodzie z dodatkiem niewielkiej ilości płynu do mycia naczyń.

16 Naciśnij wyłącznik z przodu urządzenia, aby je wyłączyć.

6.3 Usuwanie kamienia z ekspresu

Gdy zauważysz, że wytwarzana jest nadmierna ilość pary lub wydłużył się czas parzenia, usuń kamień z ekspresu do kawy. Zaleca się usuwanie kamienia co dwa miesiące. Do usuwania kamienia używaj wyłącznie białego octu, gdyż stosowanie innych produktów może spowodować uszkodzenie ekspresu.

Ostrzeżenie:

Do usuwania kamienia nie należy używać octu o zawartości kwasu octowego 8% i większej, octu naturalnego ani środków do usuwania kamienia w proszku lub tabletkach, gdyż może to spowodować uszkodzenie urządzenia.

1 Otwórz pokrywkę zbiornika wody.

7 Zamawianie akcesoriów

Aby kupić akcesoria lub części zamienne, odwiedź stronę **www.shop.philips.com/service** lub skontaktuj się ze sprzedawcą produktów firmy Philips. Możesz również skontaktować się z lokalnym Centrum Obsługi Klienta (informacje kontaktowe znajdują się w ulotce gwarancyjnej).

8 Recykling

- Ten symbol na produkcie oznacza, że podlega on postanowieniom Dyrektywy Europejskiej 2012/19/UE. Zapoznaj się z lokalnymi przepisami dotyczącymi utylizacji sprzętu elektrycznego i elektronicznego. Postępuj zgodnie z lokalnymi przepisami i nigdy nie wyrzucaj tego produktu wraz ze zwykłymi odpadami gospodarstwa domowego. Prawidłowa utylizacja zużytych produktów pomaga chronić środowisko naturalne i ludzkie zdrowie (rys. 32).

9 Gwarancja i pomoc techniczna

Jeśli potrzebujesz pomocy lub dodatkowych informacji, odwiedź stronę **www.philips.com/support** lub zapoznaj się z oddzielną ulotką gwarancyjną.

10 Rozwiązywanie problemów

W tym rozdziale opisano najczęstsze problemy, z którymi można się zetknąć, korzystając z urządzenia. Jeśli poniższe wskazówki okażą się niewystarczające do rozwiązania problemu, odwiedź stronę **www.philips.com/support**, na której znajduje się lista często zadawanych pytań, lub skontaktuj się z Centrum Obsługi Klienta w swoim kraju.

Urządzenie nie działa.

- Włóż wtyczkę przewodu sieciowego do gniazdka elektrycznego i naciśnij wyłącznik znajdujący się z przodu urządzenia, aby je włączyć.
- Upewnij się, że napięcie wskazane na urządzeniu odpowiada lokalnemu napięciu sieci elektrycznej.
- Nalej wody do zbiornika.
- Zamknij pokrywkę lejka młynka.

Gdy korzystam z młynka, kawa jest za słaba.

- Upewnij się, że dla liczby filiżanek wybranej za pomocą przycisku 2–10 filiżanek dostępna jest w zbiorniku wody odpowiednia ilość wody. Pamiętaj, że ekspres do kawy wykorzystuje całą wodę znajdującą się w zbiorniku.
- Naciśnij przycisk wyboru mocy, aby ustawić mocną kawę.
- Używając ziaren kawy uważaj, aby nie nacisnąć przycisku zmielonej kawy, ponieważ spowodowałoby to wyłączenie młynka.
- Użyj ziaren kawy o mocniejszym aromacie.
- Upewnij się, że dla wybranej liczby filiżanek dostępna jest w zbiorniku wystarczająca ilość wody.

Gdy używam zmielonej kawy, zaparzona kawa jest za słaba.

- Upewnij się, że ilość zmielonej kawy w filtrze odpowiada ilości wody w zbiorniku wody. Pamiętaj, że urządzenie wykorzystuje całą wodę znajdującą się w zbiorniku wody.
- Użyj kawy mielonej o mocniejszym aromacie.
- Aby zwiększyć moc kawy, zwiększ ilość zmielonej kawy lub zmniejsz ilość wody.

Gdy wyjmuję dzbanek podczas parzenia kawy, zawartość filtra wycieka.

- W przypadku wyjęcia dzbanka na ponad 20 sekund w czasie procesu parzenia blokada kapania powoduje przepelnienie koszyka filtra. Należy także pamiętać o tym, że kawa nie zyska pełni smaku aż do zakończenia procesu parzenia. Dlatego też nie zaleca się wyjmowania dzbanka i rozlewania kawy do momentu zakończenia procesu parzenia.

Z urządzenia nadal coś kapie, na długo po zakończeniu procesu parzenia.

- Kapanie jest spowodowane kondensacją pary. Kapanie przez krótki czas jest zjawiskiem normalnym.
- Jeśli kapanie nie ustaje, blokada kapania może być zapchana. Aby ją wyczyścić, pociągnij za zacisk uchwyty koszyka filtra po prawej stronie ekspresu w celu otwarcia uchwyty. Wyjmij koszyk filtra, a następnie opłucz go wraz z blokadą kapania pod bieżącą wodą.
- W przypadku wyjęcia dzbanka na ponad 20 sekund w czasie procesu parzenia, blokada kapania powoduje przepelnienie koszyka filtra.

Kawa nie jest wystarczająco gorąca.

- Przed przystąpieniem do parzenia kawy należy rozgrzać dzbanek gorącą wodą.
- Kawa w dzbanku stygnie szybciej, jeśli parzysz tylko kilka filiżanek. Kawa pozostanie dłużej gorąca, jeśli zaparzysz 10 filiżanek, czyli pełen dzbanek.
- Używaj cienkich filiżanek, ponieważ pochłaniają one mniej ciepła z kawy niż grube filiżanki.
- Nie wlewaj mleka wyjętego prosto z lodówki.
- Usuń kamień z urządzenia. Patrz część „Usuwanie kamienia z ekspresu” w rozdziale „Czyszczenie i konserwacja”.

Ekspres do kawy nie rozpoczyna czyszczenia lejka młynka.

- Upewnij się, że ekspres do kawy jest podłączony do sieci elektrycznej.
- Przed naciśnięciem i przytrzymaniem przycisku młynka sprawdź, czy pokrywka lejka młynka jest otwarta.
- Naciśnij i przytrzymaj przycisk młynka przez 4 sekundy, aż młynek rozpocznie samoczyszczenie.

Urządzenie działa, ale emituje sygnał dźwiękowy.

- Sprawdź, czy pokrywka lejka młynka jest prawidłowo zamknięta.

Ziarna kawy wydają się szybko ubywać.

- Może się wydawać, że ziarna kawy szybko ubywają. Aby uzyskać filiżankę doskonałego naparu, potrzebna jest określona ilość zmielonej kawy. To normalne, że urządzenie pobiera określoną ilość ziaren w celu uzyskania odpowiedniej ilości zmielonej kawy.

1 Введение

Поздравляем с покупкой продукции Philips!
Чтобы воспользоваться всеми преимуществами поддержки Philips, зарегистрируйте прибор на веб-сайте www.philips.com/welcome.

2 Общее описание (Рис. 1)

- 1 Корзинка фильтра
- 2 Держатель корзинки фильтра
- 3 Отметка уровня воды
- 4 Крышка емкости для воды
- 5 Крышка контейнера для зерен
- 6 Переключатель контейнера
- 7 Регулятор степени помола
- 8 Двойной контейнер для зерен
- 9 Крышка воронки кофемолки
- 10 Блокировка крышки воронки кофемолки
- 11 Наливное отверстие
- 12 Дисплей
 - A Значок предварительно молотого кофе
 - B Количество чашек
 - C Значок кофейной чашки
 - D Значок кофейного зерна (выбор крепости)
 - E Кнопка выбора крепости
 - F Кнопка таймера
 - G Индикация часа
 - H Индикация минут
 - I Значок таймера
- 13 Кнопка включения/выключения
- 14 Крышка стеклянного кувшина
- 15 Стеклянный кувшин
- 16 Щеточка для очистки

3 Важная информация

Перед использованием прибора внимательно ознакомьтесь с руководством пользователя и сохраните его для дальнейшего использования в качестве справочного материала.

3.1 Опасно!

- Запрещается погружать прибор в воду или другие жидкости, а также промывать его под струей воды.
-

3.2 Предупреждение

- Перед подключением прибора убедитесь, что напряжение, указанное на нижней панели прибора, соответствует напряжению местной электросети.
- В случае повреждения сетевого шнура его необходимо заменить. Чтобы обеспечить безопасную эксплуатацию прибора, заменяйте шнур только в авторизованном сервисном центре Philips или в сервисном центре с персоналом аналогичной квалификации.
- Дети старше 8 лет и лица с ограниченными интеллектуальными или физическими возможностями, а также лица с недостаточным опытом и знаниями могут пользоваться данным прибором только под присмотром или после получения инструкций по безопасному использованию прибора и при условии понимания потенциальных опасностей. Дети могут осуществлять очистку и уход за прибором, только если они старше 8 лет и только под присмотром взрослых. Храните прибор и сетевой шнур в месте, недоступном для детей младше 8 лет.

- Не позволяйте детям играть с прибором.
- Не допускайте свисания шнура с края стола или места установки прибора.
- Не прикасайтесь к жерновам, особенно если прибор подключен к розетке электросети.
- Храните упаковочные материалы (пластиковые пакеты, картонные коробки и т. д.) в недоступном для детей месте.
- Не прикасайтесь к горячим поверхностям прибора во время его работы.
- Данный прибор предназначен для помола кофейных зерен и приготовления кофе. При использовании прибора будьте аккуратны и соблюдайте приведенные инструкции, чтобы избежать ожогов горячей водой или паром.
- Во избежание повреждения прибора не сливайте воду из емкости для воды, наклоняя прибор. Чтобы слить воду, строго следуйте инструкциям по промывке.
- Запрещено пользоваться прибором, если сетевая вилка, сетевой шнур или сам прибор повреждены.
- Если возникшую проблему не удается решить с помощью данного руководства пользователя, обратитесь в центр поддержки покупателей в вашей стране. Если проблема не может быть устранена, обратитесь в авторизованный сервисный центр Philips для проверки или ремонта изделия. Не пытайтесь производить ремонт самостоятельно, в противном случае гарантийные обязательства утрачивают силу.

3.3 Внимание!

- Не ставьте прибор на горячую поверхность и не допускайте контакта сетевого шнура с горячими поверхностями.
- Отключайте прибор от электросети в случае возникновения проблем во время помола зерен или приготовления кофе, а также перед очисткой.
- Не перемещайте прибор во время работы.
- Во время работы прибор нагревается. Перед тем как убрать прибор на хранение, дайте ему остыть.
- Во время приготовления нижняя часть прибора и дно кувшина нагреваются.
- Сняв упаковку, проверьте целостность прибора и отсутствие повреждений. При возникновении сомнений не пользуйтесь прибором и обратитесь в центр поддержки покупателей в вашей стране.
- Устройство предназначено только для домашнего использования в стандартных условиях. Устройство не предназначено для использования в таких условиях эксплуатации, как обеденные зоны в магазинах, офисах, сельскохозяйственных помещениях или других производственных условиях. Также устройство не предназначено для использования клиентами в отелях, мотелях, местах ночлега и завтрака, а также в других местах пребывания.

3.4 Электромагнитные поля (ЭМП)

Этот прибор Philips соответствует всем применимым стандартам и нормам по воздействию электромагнитных полей.

4 Перед первым использованием

4.1 Установка часов

- 1 Вставьте вилку сетевого шнура в розетку электросети.
 - *На дисплее начнет мигать индикация 00:00, что указывает на необходимость установки времени.*
- 2 Поверните регулятор для настройки значения часа (Рис. 2).
- 3 Для подтверждения значения часа нажмите на центр регулятора (Рис. 3).
 - *На дисплее начнет мигать индикация минут, что указывает на необходимость установки значения минут.*
- 4 Поверните регулятор для настройки значения минут (Рис. 4).
- 5 Для подтверждения значения минут нажмите на центр регулятора (Рис. 5).
- 6 На дисплее отобразится установленное время. Кофеварка готова к работе.

4.2 Установка времени автоматического выключения

Время автоматического выключения прибора можно регулировать. Время по умолчанию составляет 30 минут. Интервал может быть увеличен до 120 минут. Для настройки автоматического времени выключения выполните описанные ниже шаги.

- 1 Убедитесь, что прибор выключен (но вилка сетевого шнура подключена к розетке).
- 2 Нажмите на середину регулятора и удерживайте его нажатым, пока дисплей не начнет мигать.

- 3 Поверните регулятор для увеличения или уменьшения времени. Значение "1" соответствует 10 минутам, "2" — 20 минутам, "3" — 30 минутам и так далее. Конечное значение "12" соответствует 120 минутам.
- 4 Для подтверждения значения минут нажмите на центр регулятора.

ⓘ Примечание.

На приборе всегда сохраняется последняя настройка.

4.3 Промывка прибора

Перед первым использованием кофеварки ее необходимо промыть.

- 1 Откройте крышку емкости для воды. Налейте в емкость свежую холодную воду **до уровня 8 чашек.** (Рис. 6)

ⓘ Примечание.

Не помещайте в прибор молотый или немолотый кофе.

- 2 Закройте крышку емкости для воды.
- 3 Установите кувшин в прибор (Рис. 7).
- 4 Нажмите кнопку включения/выключения (Рис. 8).
 - *Загорится дисплей.*
- 5 Нажмите кнопку выбора крепости (Рис. 9).
- 6 Повернув регулятор, выберите настройку предварительно молотого кофе (Рис. 10).
 - *Загорится значок предварительно молотого кофе.*
- 7 Для подтверждения нажмите на центр регулятора. Для начала цикла промывки снова нажмите на центр регулятора (Рис. 11).
- 8 Не выключайте прибор до окончания цикла промывки.
- 9 Слейте воду из кувшина.

5 Использование прибора

5.1 Заполнение емкости для воды

- 1 Откройте крышку емкости для воды и залейте в емкость необходимое количество холодной воды. (Рис. 6)
Если открыть крышку резервуара для воды, на внутренней панели прибора можно увидеть обозначения количества чашек — от 2 до 10. Используйте данные обозначения для определения необходимого количества воды в резервуаре. При заполнении до определенного уровня цвет меняется со светлого на темный. Кроме того, руководствуйтесь индикацией уровня воды на кувшине.

⊖ Примечание.

Не заполняйте емкость для воды выше индикации на 10 чашек.

5.2 Использование немолотого кофе

⚠ Предупреждение

Помните, что при наполнении контейнера кофейными зернами крышка емкости для воды должна быть закрыта. В противном случае кофейные зерна могут попасть в емкость для воды и заблокировать отверстие для залива воды.

- 1 Снимите крышку контейнера для зерен. (Рис. 12)
- 2 Наполните двойной контейнер для зерен кофейными зернами (можно использовать два разных сорта кофейных зерен). Убедитесь, что в контейнере находится достаточное количество кофейных зерен для приготовления необходимого количества кофе (Рис. 13).

⊖ Примечание.

Следите за тем, чтобы контейнер для зерен был наполнен не менее чем наполовину.

⚠ Предупреждение

Не используйте необжаренные или карамелизированные зерна, они могут застрять в кофемолке. Во избежание повреждения устройства рекомендуется использовать кофейные зерна вместо зерен для эспрессо.

- 3 Чтобы открыть держатель корзинки фильтра, потяните за ярлык, расположенный в правой части кофеварки (Рис. 14).
- 4 Возьмите бумажный фильтр (тип 1x4 или № 4) и сложите склеенные края, чтобы избежать разрывов и смятия. Установите бумажный фильтр в корзинку фильтра. (Рис. 15)
- 5 Закройте держатель корзинки фильтра.
- 6 Установите кувшин в прибор. (Рис. 7)
- 7 С помощью регулятора степени помола выберите тип помола (от мелкого до крупного). (Рис. 16)

✳ Совет.

С помощью регулятора степени помола можно выбрать девять различных настроек. Предварительно выбрано 3 оптимальных настройки, однако вы можете выбрать любые другие, установив регулятор между значками. Попробуйте разные настройки и найдите ту, которая понравится именно вам.

- 8 С помощью переключателя контейнера выберите тип кофейных зерен (Рис. 17).

⚠ Предупреждение

При использовании разных контейнеров для зерен или разных сортов кофе в приборе всегда скапливаются остатки кофе. Во избежание смешивания сортов очищайте воронку кофемолки при выборе нового вида кофейных зерен.

Примечание.

По вашему усмотрению можно использовать один вид кофейных зерен или смесь из двух сортов.

9 Нажмите кнопку включения/выключения на передней панели прибора (Рис. 8).

- *Начнет мигать количество чашек.*

10 Для выбора количества чашек поворачивайте регулятор, пока на дисплее не появится нужное количество чашек (Рис. 18).

Примечание.

Убедитесь, что количество чашек, выбранное с помощью кнопки приготовления 2–10 чашек кофе, соответствует количеству воды в емкости. Примите во внимание, что прибор использует всю воду, имеющуюся в емкости. Если выбрать количество чашек, для которого требуется меньше воды, кофе будет менее крепким.

11 Для подтверждения выбранного количества чашек нажмите на центр регулятора.

12 Нажмите кнопку выбора крепости. (Рис. 9)

- *Начнут мигать значки кофейных зерен.*

13 С помощью регулятора выберите желаемую крепость кофе (мягкий — 1 кофейное зерно, средний — 2 кофейных зерна или крепкий — 3 кофейных зерна) (Рис. 10).

- *На дисплее отобразится уровень крепости кофе.*

Совет.

Используя разное количество воды, вы можете определить степень крепости, которая вам нравится. Если количество выбранных чашек будет больше, чем количество воды, кофе получится более крепким. Если количество выбранных чашек будет меньше, чем количество воды, кофе получится менее крепким.

14 Для подтверждения нажмите на центр регулятора. Для начала процесса приготовления снова нажмите на центр регулятора (Рис. 19).

- *Кофемолка выполняет помол необходимого количества кофейных зерен.*

15 Не снимайте кувшин, пока не закончится процесс приготовления.

Примечание.

После завершения приготовления из корзинки фильтра в течение нескольких секунд капает кофе.

5.3 Использование предварительно молотого кофе

Для использования предварительно молотого кофе, а не кофейных зерен, выполните шаги, описанные ниже.

1 Откройте крышку емкости для воды и залейте в емкость необходимое количество холодной воды. (Рис. 6)

2 Чтобы открыть держатель корзинки фильтра, потяните за ярлык, расположенный в правой части кофеварки (Рис. 14).

3 Возьмите бумажный фильтр (тип 1x4 или № 4) и сложите склеенные края, чтобы избежать разрывов и смятия. Установите бумажный фильтр в корзинку фильтра (Рис. 15).

4 Засыпьте предварительно молотый кофе в бумажный фильтр.

Примечание.

Крепость кофе можно выбрать в соответствии с личными предпочтениями. Для приготовления одной чашки кофе среднего уровня крепости используйте одну мерную ложку кофе (приблизительно 6 г) на одну чашку напитка (120 мл). Для приготовления более крепкого кофе используйте 1,5 мерные ложки кофе на одну чашку напитка.

5 Закройте держатель корзинки фильтра.

6 Установите кувшин в прибор (Рис. 7).

- 7** Нажмите кнопку включения/выключения (Рис. 8).
 - **Загорится дисплей.**
- 8** Нажмите кнопку выбора крепости (Рис. 9).
- 9** Повернув регулятор, выберите настройку предварительно молотого кофе (Рис. 10).
 - **Загорится значок предварительно молотого кофе.**
- 10** Для подтверждения нажмите на центр регулятора. Для начала процесса приготовления снова нажмите на центр регулятора (Рис. 11).
- 11** Не снимайте кувшин, пока не закончится процесс приготовления.

Примечание.

После завершения приготовления из корзинки фильтра в течение нескольких секунд капает кофе.

5.4 Установка таймера

Таймер позволяет запрограммировать время начала приготовления кофе. Прежде чем устанавливать таймер, убедитесь, что выполнены все инструкции по приготовлению напитка из молотого кофе или кофейных зерен.

- 1** Нажмите кнопку таймера. (Рис. 20)
 - **На дисплее начнет мигать индикация 00:00, что указывает на необходимость установки таймера.**
- 2** Поверните регулятор для настройки значения часа (Рис. 21).
- 3** Для подтверждения значения часа нажмите на центр регулятора (Рис. 22).
 - **На дисплее начнет мигать индикация минут, что указывает на необходимость установки значения минут.**
- 4** Поверните регулятор для настройки значения минут (Рис. 23).
- 5** Для подтверждения значения минут нажмите на центр регулятора (Рис. 24).
 - **Таймер установлен, процесс приготовления начнется в установленное время.**

5.5 Система “капля-стоп”

Система “капля-стоп” позволяет снимать кувшин с кофеварки до завершения приготовления кофе. При снятии кувшина система “капля-стоп” останавливает поток кофе.

Примечание.

Если снять кувшин, процесс приготовления кофе не завершится. Если кувшин не будет снова установлен в прибор в течение 20 секунд, корзинка фильтра переполнится.

6 Очистка и уход

6.1 Очистка после каждого использования

Предупреждение

Запрещается погружать прибор в воду или другие жидкости, а также промывать его под струей воды.

- 1** Выключите прибор, нажав на кнопку включения/выключения на передней панели прибора. (Рис. 25)
- 2** Выньте вилку сетевого шнура из розетки электросети.
- 3** Очистите внешнюю поверхность кофеварки влажной тканью (Рис. 26).
- 4** Очистите корзинку фильтра и кувшин в посудомоечной машине или в горячей воде с добавлением небольшого количества моющего средства.

6.2 Очистка воронки кофемолки

При использовании разных контейнеров для зерен или разных сортов кофе в приборе всегда скапливаются остатки кофе, которые могут повлиять на вкус готового напитка. Во избежание смешивания свежемолотого кофе с остатками кофе другого сорта очищайте воронку кофемолки каждые 1—2 недели или каждый раз при выборе нового вида кофейных зерен. Для получения оптимального вкуса напитка при выборе нового сорта кофейных зерен следуйте рекомендациям ниже.

- 1 Выключите прибор, нажав на кнопку включения/выключения на передней панели прибора (Рис. 25).
- 2 Чтобы открыть держатель корзинки фильтра, потяните за ярлык, расположенный в правой части кофеварки (Рис. 14).
- 3 Возьмите бумажный фильтр (тип 1x4 или № 4) и сложите склеенные края, чтобы избежать разрывов и смятия. Установите бумажный фильтр в корзинку фильтра. (Рис. 15)
- 4 Закройте держатель корзинки фильтра.
- 5 Чтобы открыть крышку воронки кофемолки, вставьте плоский конец щеточки для очистки в механизм блокировки и нажмите на щеточку (Рис. 27).

Примечание.

Чтобы быстро очистить воронку кофемолки с помощью щеточки, перейдите к шагу 7. Чтобы предотвратить влияние остатков молотого кофе на вкус нового напитка, перейдите к шагу 6.

- 6 Нажмите и удерживайте кнопку выбора крепости в течение 4 секунд (Рис. 28).
 - *Начнется процесс очистки кофемолки.*
- 7 По окончании процесса очистки кофемолки переместите остатки молотого кофе в нижнюю часть воронки с помощью щеточки для очистки (Рис. 29).
 - *Частицы молотого кофе попадут в корзинку фильтра.*

Предупреждение Не опускайте щеточку в воронку кофемолки.

- 8 Закройте крышку воронки кофемолки.
- 9 Извлеките бумажный фильтр с остатками молотого кофе и выбросьте его.

6.3 Очистка кофеварки от накипи

При увеличении количества пара или времени приготовления кофе проведите очистку кофеварки от накипи. Очистку от накипи рекомендуется проводить раз в два месяца.

Для удаления накипи используйте только белый уксус, так как другие средства могут повредить кофеварку.

Предупреждение Никогда не используйте для очистки от накипи уксус и уксусную кислоту в концентрации 8 % и более, натуральный уксус, средства для удаления накипи в порошках или таблетках.

- 1 Откройте крышку емкости для воды.
- 2 Налейте в емкость для воды 8 чашек белого уксуса (4 %) и 2 чашки воды (Рис. 6).
- 3 Установите бумажный фильтр (номер 4) в корзинку фильтра и закройте держатель корзинки фильтра (Рис. 15).
- 4 Установите пустой кувшин в устройство (Рис. 7).
- 5 Вставьте вилку сетевого шнура в розетку электросети.
- 6 Включите прибор, нажав на кнопку включения/выключения на передней панели прибора (Рис. 8).
 - *Загорится дисплей.*
- 7 Нажмите кнопку выбора крепости, с помощью регулятора выберите настройку предварительно молотого кофе (Рис. 10).
- 8 Для подтверждения нажмите на центр регулятора. Для начала процесса приготовления снова нажмите на центр регулятора (Рис. 11).
- 9 Дождитесь, когда половина раствора уксуса с водой поступит в кувшин. Нажмите кнопку включения/выключения, чтобы остановить процесс приготовления, и оставьте раствор на 15 минут (Рис. 30).
- 10 Включите прибор, нажав кнопку включения/выключения (Рис. 8).
- 11 Один раз нажмите на центральную часть регулятора, чтобы завершить цикл приготовления (Рис. 31).
- 12 Слейте воду из кувшина и выбросьте использованный бумажный фильтр.
- 13 Наполните резервуар холодной водой и нажмите на центр регулятора дважды для начала нового цикла приготовления. После того как кофеварка полностью завершит работу, слейте воду из кувшина.

- 14 Повторяйте шаг 13 до тех пор, пока не исчезнет запах или привкус уксуса.
- 15 Очистите корзинку фильтра и кувшин в посудомоечной машине или в горячей воде с добавлением небольшого количества моющего средства.
- 16 Выключите прибор, нажав на кнопку включения/выключения на передней панели прибора.

7 Заказ аксессуаров

Чтобы приобрести аксессуары или запасные части, посетите веб-сайт www.shop.philips.com/service или обратитесь в местную торговую организацию Philips. Вы также можете обратиться в местный центр поддержки потребителей Philips (контактные данные указаны на гарантийном талоне).

8 Утилизация

- Этот символ на изделии означает, что оно подпадает под действие Директивы ЕС 2012/19/ЕС. Узнайте о требованиях местного законодательства по раздельной утилизации электротехнических и электронных изделий. Следуйте правилам и не утилизируйте изделие вместе с бытовыми отходами. Правильная утилизация позволяет предотвратить возможные негативные последствия для окружающей среды и здоровья человека (Рис. 32).

9 Гарантия и поддержка

Для получения поддержки или информации посетите веб-сайт www.philips.com/support или ознакомьтесь с информацией на гарантийном талоне.

10 Поиск и устранение неисправностей

Данная глава посвящена наиболее распространенным проблемам, возникающим при использовании прибора. Если самостоятельно справиться с возникшими проблемами не удается, см. список часто задаваемых вопросов на веб-странице www.philips.com/support или обратитесь в центр поддержки потребителей в вашей стране.

Прибор не работает.

- Включите прибор, вставив вилку сетевого шнура в розетку электросети и нажав кнопку питания на передней панели прибора.
- Проверьте, соответствует ли напряжение, указанное на приборе, напряжению в сети.
- Налейте в емкость воды.
- Закройте крышку воронки кофемолки.

При использовании кофемолки кофе получается некрепким.

- Убедитесь, что количество чашек, выбранное с помощью кнопки приготовления 2–10 чашек кофе, соответствует количеству воды в емкости для воды. Примите во внимание, что кофеварка использует всю воду, имеющуюся в емкости для воды.
- С помощью кнопки выбора крепости кофе выберите настройку “крепкий”.
- При использовании кофейных зерен убедитесь, что не нажата кнопка приготовления предварительно молотого кофе, так как при этом кофемолка будет отключена.
- Используйте кофейные зерна более крепких сортов или с более насыщенным ароматом.
- Убедитесь, что выбранное количество чашек соответствует объему воды в емкости для воды.

При использовании предварительно молотого кофе напиток получается некрепким.

- Убедитесь, что количество молотого кофе в фильтре соответствует количеству воды в емкости для воды. Примите во внимание, что прибор использует всю воду, имеющуюся в емкости для воды.

- Используйте молотый кофе более крепких сортов или с более насыщенным ароматом.
- Для приготовления более крепкого кофе увеличьте количество предварительно молотого кофе или уменьшите количество воды.

При снятии кувшина с прибора во время процесса приготовления кофе фильтр переполняется.

- Если во время цикла приготовления кувшин снят с прибора более чем на 20 секунд, срабатывает система “капля-стоп”, а кофе проливается через корзинку фильтра. Также примите во внимание, что до завершения цикла приготовления вкус кофе не будет полным и насыщенным. Поэтому мы не рекомендуем снимать кувшин и наливать кофе до завершения цикла приготовления.

Кофе продолжает капать еще долгое время после завершения приготовления.

- Это обусловлено конденсацией пара. Поступление капель из прибора в течение некоторого времени является нормой.
- Если поступление капель не прекращается, возможно, засорена система “капля-стоп”. Чтобы очистить эту систему, потяните за ярлык держателя корзинки фильтра, расположенный в правой части кофеварки, и откройте держатель. Извлеките корзинку фильтра, промойте ее и систему “капля-стоп” под водопроводной водой.
- Если во время приготовления кувшин снят с прибора более чем на 20 секунд, срабатывает система “капля-стоп”, и кофе проливается через корзинку фильтра.

Кофе недостаточно горячий.

- Перед приготовлением кофе ополосните кувшин горячей водой, чтобы нагреть его.
- При приготовлении нескольких чашек кофе в кувшине остывает быстрее. Кофе остается горячим дольше при приготовлении 10 чашек (при максимальном заполнении кувшина).
- Используйте тонкостенные чашки, так как они поглощают меньше тепла, чем толстостенные.
- Не добавляйте молоко прямо из холодильника.

- Проведите очистку прибора от накипи. См. раздел “Очистка кофеварки от накипи” в главе “Очистка и уход”.

На кофеварке не запускается процесс очистки воронки кофемолки.

- Убедитесь, что кофеварка подключена к электросети.
- Убедитесь, что перед нажатием кнопки кофемолки была открыта крышка воронки кофемолки.
- Нажмите и удерживайте кнопку кофемолки в течение 4 секунд, пока не начнется процесс очистки кофемолки.

Прибор работает, но издает звуковой сигнал.

- Убедитесь, что крышка воронки кофемолки закрыта должным образом.

Кофейные зерна расходуются слишком быстро.

- Может показаться, что кофейные зерна расходуются слишком быстро. Для приготовления чашки вкусного кофе требуется определенное количество молотого кофе. Прибор использует именно то количество кофейных зерен, которое требуется, чтобы получить оптимальное количество молотого кофе для приготовления превосходного напитка.

Кофеварка с системой Grind & Brew
Изготовитель: “Филипс Консьюмер Лайфстайл Б.В.”, Туссендиепен 4, 9206 АД, Драхтен, Нидерланды

Импортер на территорию России и Таможенного Союза: ООО “ФИЛИПС”, Российская Федерация, 123022 г. Москва, ул. Сергея Макеева, д.13, тел. +7 495 961-1111 HD7762: 220 - 240 В; 50 - 60 Гц; 1000 Вт
Для бытовых нужд

Импортер на территорию России и Таможенного Союза принимает претензии потребителей в случаях, предусмотренных Законом РФ «О защите прав потребителей» 07.02.1992 N 2300-1», в отношении товара, приобретенного на территории Российской Федерации

1 Вступ

Вітаємо Вас із покупкою та ласкаво просимо до клубу Philips! Щоб у повній мірі скористатися підтримкою, яку пропонує компанія Philips, зареєструйте свій виріб на веб-сайті www.philips.com/welcome.

2 Загальний опис (Мал. 1)

- 1 Кошик фільтра
- 2 Тримач кошика фільтра
- 3 Індикатор рівня води
- 4 Кришка резервуара для води
- 5 Кришка ємності для кавових зерен
- 6 Селектор ємності
- 7 Регулятор грубості помелу
- 8 Подвійна ємність для кавових зерен
- 9 Кришка лійки кавомолки
- 10 Блокування кришки лійки кавомолки
- 11 Отвір для наливання води
- 12 Дисплей
 - A Піктограма попередньо змеленої кави
 - B Кількість філіжанок
 - C Піктограма філіжанки кави
 - D Піктограма вибору міцності кави
 - E Кнопка вибору міцності
 - F Кнопка таймера
 - G Індикація години
 - H Індикація хвилини
 - I Піктограма таймера
- 13 Кнопка "увімк./вимк."
- 14 Кришка скляного глека
- 15 Скляний глек
- 16 Щітка для чищення

3 Важлива інформація

Перед тим як використовувати пристрій, уважно прочитайте цей посібник користувача і зберігайте його для майбутньої довідки.

3.1 Небезпечно

- Не занурюйте пристрій у воду чи іншу рідину та не мийте його під краном.

3.2 Попередження

- Перед тим як під'єднувати пристрій до мережі, перевірте, чи збігається напруга, вказана на дні пристрою, із напругою у мережі.
- Якщо шнур живлення пошкоджений, для уникнення небезпеки його необхідно замінити, звернувшись до компанії Philips, уповноваженого сервісного центру або фахівців із належною кваліфікацією.
- Цим пристроєм можуть користуватися діти віком від 8 років або більше чи особи із послабленими фізичними відчуттями або розумовими здібностями, чи без належного досвіду та знань, за умови, що користування відбувається під наглядом, їм було проведено інструктаж щодо безпечного користування пристроєм та їх було повідомлено про можливі ризики. Не дозволяйте дітям до 8 років виконувати чищення та догляд без нагляду дорослих. Зберігайте пристрій та шнур живлення подалі від дітей віком до 8 років.
- Не дозволяйте дітям бавитися пристроєм.
- Шнур живлення не повинен висіти над краєм столу або над робочою поверхнею, на якій стоїть пристрій.

- Не торкайтеся жорен пристрою, особливо тоді, коли пристрій під'єднано до мережі.
- Зберігайте пакувальні матеріали (пластикові пакети, картонні амортизатори тощо) подалі від дітей, адже вони – не іграшка.
- Не торкайтеся гарячих поверхонь пристрою, коли він працює.
- Цей пристрій розроблено для помелу кавових зерен і приготування кави. Використовуйте його за призначенням та обережно, щоб не обпектися гарячою водою і паром.
- Не нахиляйте пристрій, щоб спорожнити резервуар для води, оскільки це може пошкодити пристрій. Для спорожнення резервуара для води виконайте вказівки щодо промивання.
- Не використовуйте пристрій, якщо штекер, шнур живлення або сам пристрій пошкоджено.
- У разі виникнення проблеми, яку не вдається усунути за допомогою цього посібника користувача, зверніться до Центру обслуговування клієнтів у своїй країні. Якщо цю проблему не вдається усунути, для перевірки або ремонту пристрою зверніться до сервісного центру, уповноваженого Philips. Не намагайтеся ремонтувати пристрій самостійно, це призведе до втрати гарантії.

3.3 Увага

- Не ставте пристрій на гарячу поверхню і запобігайте контакту шнура живлення з гарячими поверхнями.
- Перед чищенням та у разі виникнення проблем під час помелу або приготування кави від'єднайте пристрій від мережі.
- Не переносьте пристрій, коли він працює.
- Під час використання пристрій нагрівається. Перед тим як відкласти пристрій на зберігання, дайте йому охолонути.
- Під час приготування кави нижня частина пристрою та дно глека нагріваються.
- Розпакувавши пристрій, перевірте його справність і наявність усіх частин. Якщо виникають сумніви, не використовуйте пристрій, а зверніться до Центру обслуговування клієнтів у своїй країні.
- Цей пристрій призначено виключно для побутового використання. Його не призначено для використання на службових кухнях у магазинах, офісах, фермерських господарствах та в інших виробничих умовах. Його також не призначено для використання клієнтами в готелях, мотелях, готелях із комплексом послуг “ночівля і сніданок” та інших жилих середовищах.

3.4 Електромагнітні поля (ЕМП)

Цей пристрій Philips відповідає усім чинним стандартам та правовим нормам, що стосуються впливу електромагнітних полів.

4 Перед першим використанням

4.1 Налаштування годинника

- 1 Вставте штекер у розетку.
 - *На дисплеї почне блимати індикація “00:00”, повідомляючи про необхідність налаштування годинника.*
- 2 Поверніть регулятор для налаштування години (Мал. 2).
- 3 Натисніть регулятор по центру, щоб підтвердити годину (Мал. 3).
 - *Почнуть блимати хвилини, що означає необхідність налаштувати хвилини.*
- 4 Поверніть регулятор для налаштування хвилин (Мал. 4).
- 5 Натисніть регулятор по центру, щоб підтвердити хвилини (Мал. 5).
- 6 На дисплеї відображається встановлений час. Кавоварка готова до використання.

4.2 Налаштування часу автоматичного вимкнення

Можна налаштувати час, після якого пристрій автоматично вимкнеться. Встановлений час за замовчуванням – 30 хвилин. Це значення можна налаштувати до максимум 120 хвилин. Якщо потрібно налаштувати час автоматичного вимкнення, виконайте наведені нижче дії.

- 1 Переконайтеся, що пристрій вимкнений (а штепсель знаходиться у розетці).
- 2 Натисніть та утримуйте кнопку регулятора по центру, поки дисплей не почне блимати.
- 3 Повертайте регулятор для збільшення або зменшення часу. 1 – це 10 хвилин, 2 – 20 хвилин, 3 – 30 хвилин, і так до 12 – 120 хвилин.
- 4 Натисніть регулятор по центру, щоб підтвердити хвилини.

Примітка:

Пристрій завжди зберігає останнє налаштування.

4.3 Промивання пристрою

Перед першим використанням кавоварку потрібно промити один раз.

- 1 Відкрийте кришку резервуара для води. Наповніть резервуар чистою холодною водою **до позначки 8 філіжанок**. (Мал. 6)

Примітка:

Не кладіть кавові зерна або мелену каву у пристрій.

- 2 Закрийте кришку резервуара для води.
- 3 Вставте глек у пристрій (Мал. 7).
- 4 Натисніть кнопку “увімк./вимк.” (Мал. 8).
 - *Засвітиться дисплей.*
- 5 Натисніть кнопку вибору міцності (Мал. 9).
- 6 Поверніть регулятор для вибору налаштування попередньо меленої кави (Мал. 10).
 - *Засвітиться піктограма попередньо меленої кави.*
- 7 Натисніть регулятор по центру для підтвердження. Потім знову натисніть регулятор по центру для запуску процесу промивання (Мал. 11).
- 8 Дайте пристрою попрацювати, поки процес промивання не буде завершено.
- 9 Вилийте вміст глека.

5 Застосування пристрою

5.1 Наповнення резервуару для води

- 1 Відкрийте кришку резервуару для води та наповніть його потрібною кількістю холодної води. (Мал. 6)
Якщо відкрити кришку резервуару для води, всередині пристрою видно позначки для 2–10 філіжанок. Можна скористатися цими позначками для визначення кількості води, яку потрібно налити в резервуар. Відображення змінюється від світлого до темного з кожною наливою філіжанкою води. Також можна скористатися індикатором рівня води на глеку.

Примітка:

Не наповнюйте резервуар для води вище позначки 10 філіжанок.

5.2 Використання кавових зерен

Попередження:

Під час наповнення ємності для кавових зерен резервуар для води має бути накрито кришкою. Інакше кавові зерна можуть впасти в резервуар для води та заблокувати отвір для води.

- 1 Зніміть кришку ємності для кавових зерен. (Мал. 12)
- 2 Наповніть подвійну ємність кавовими зернами. Ємність для кавових зерен можна наповнити двома різними видами кавових зерен. Перевіряйте, щоб кавових зерен у ємності було достатньо для тої кількості кави, яку потрібно приготувати (Мал. 13).

Примітка:

Ємність для кавових зерен слід наповнювати щонайменше до половини.

Попередження:

Для запобігання забиванню кавомолки не беріть сирі або карамелізовані кавові зерна. Радимо використовувати звичайні кавові зерна, а не кавові зерна для приготування “еспресо”, оскільки це може спричинити пошкодження.

- 3 Щоб відкрити тримач кошика фільтра, потягніть за його вушко з правого боку кавоварки (Мал. 14).
- 4 Візьміть паперовий фільтр (тип 1x4 або № 4) і загнути закріплені краї, щоб уникнути розриву та скручування. Встановіть паперовий фільтр у кошик фільтра. (Мал. 15)
- 5 Закрийте тримач кошика фільтра.
- 6 Вставте глек у пристрій. (Мал. 7)
- 7 Поверніть регулятор грубості помелу для вибору бажаного типу помелу (від дрібного до грубого). (Мал. 16)

Порада:

За допомогою регулятора грубості помелу можна вибрати з-поміж дев'яти різних налаштувань. Попередньо вибрано 3 оптимальні налаштування, але можна також вибрати будь-яке налаштування з-поміж піктограм. Радимо експериментувати з різними налаштуваннями помелу і вибрати найоптимальніший.

- 8 Поверніть селектор ємності для вибору між двома типами кавових зерен (Мал. 17).

Попередження:

Коли Ви змінюватимете ємності для кавових зерен чи самі кавові зерна, завжди будуть залишки попереднього помелу зерен. Щоб не допустити цього, чистіть лійку кавомолки після переходу на новий тип кавових зерен.

Примітка:

Залежно від смаку, можна вибрати один із двох типів кавових зерен або поєднання цих двох типів.

- 9** Натисніть кнопку "увімк./вимк." на передній стороні пристрою (Мал. 8).
- **Почне блимати кількість філіжанок.**
- 10** Щоб вибрати кількість філіжанок, повертайте регулятор, поки на дисплеї не відобразатиметься потрібна кількість філіжанок (Мал. 18).

☹ **Примітка:**

Слідкуйте, щоб кількість філіжанок, яку Ви вибираєте за допомогою кнопки вибору кількості філіжанок 2-10 CUPS, відповідала кількості води в резервуарі. Не забувайте, що кавоварка використовує всю воду в резервуарі. Якщо вибрати меншу кількість філіжанок у відповідності до води, кава буде слабшою, ніж потрібно.

- 11** Натисніть регулятор по центру, щоб підтвердити кількість філіжанок.
- 12** Натисніть кнопку вибору міцності. (Мал. 9)
- **Почнуть блимати піктограми кавових зерен.**
- 13** Поверніть регулятор, щоб вибрати бажану міцність кави (м'яка: 1 зерно, середня: 2 зерна, міцна: 3 зерна) (Мал. 10).
- **На дисплеї відображається вибрана міцність кави.**

✿ **Порада:**

Радимо Вам експериментувати з кількістю води, щоб дізнатися бажану міцність кави. Якщо вибрати більшу кількість філіжанок у відповідності до води, кава буде міцнішою. Якщо вибрати меншу кількість філіжанок у відповідності до води, кава буде слабшою.

- 14** Натисніть регулятор по центру для підтвердження. Потім знову натисніть регулятор по центру для запуску процесу приготування кави (Мал. 19).
- **Кавомолка меле потрібну кількість кавових зерен.**
- 15** Перед тим як зняти глек, зачекайте, поки кавоварка перестане готувати каву.

☹ **Примітка:**

Після приготування кава кілька секунд скапує з кошика фільтра.

5.3 Використання попередньо змеленої кави

Якщо потрібно додати попередньо змелену каву, а не кавові зерна, виконайте подані нижче кроки.

- 1** Відкрийте кришку резервуара для води та наповніть його потрібною кількістю холодної води. (Мал. 6)
- 2** Щоб відкрити тримач кошика фільтра, потягніть за його вушко з правого боку кавоварки (Мал. 14).
- 3** Візьміть паперовий фільтр (тип 1x4 або № 4) і загнути закріплені краї, щоб уникнути розриву та скручування. Встановіть паперовий фільтр у кошик фільтра (Мал. 15).
- 4** Насипте в паперовий фільтр попередньо змелену каву.

☹ **Примітка:**

Можна налаштувати міцність кави на власний смак. Для приготування філіжанки кави середньої міцності додавайте одну мірну ложку (приблизно 6 г) меленої кави на кожну філіжанку (120 мл). Для приготування міцнішої кави додавайте 1,5 мірні ложки меленої кави на кожну філіжанку кави.

- 5** Закрийте тримач кошика фільтра.
- 6** Вставте глек у пристрій (Мал. 7).
- 7** Натисніть кнопку "увімк./вимк." (Мал. 8).
- **Засвітиться дисплей.**
- 8** Натисніть кнопку вибору міцності (Мал. 9).
- 9** Поверніть регулятор для вибору налаштування попередньо меленої кави (Мал. 10).
- **Засвітиться піктограма попередньо меленої кави.**
- 10** Натисніть регулятор по центру для підтвердження. Потім знову натисніть регулятор по центру для запуску процесу приготування кави (Мал. 11).
- 11** Перед тим як зняти глек, зачекайте, поки кавоварка перестане готувати каву.

☹ **Примітка:**

Після приготування кава кілька секунд скапує з кошика фільтра.

5.4 Установка таймера

За допомогою таймера можна програмувати час початку приготування кави. Перш ніж налаштувати таймер, виконайте всі дії для приготування кави з мелених чи цілих зерен.

- 1 Натисніть кнопку таймера. (Мал. 20)
 - *На дисплеї почне блимати індикація "00:00", повідомляючи про необхідність налаштування таймера.*
- 2 Поверніть регулятор для налаштування години (Мал. 21).
- 3 Натисніть регулятор по центру, щоб підтвердити годину (Мал. 22).
 - *Почне блимати індикація хвилин, що означає необхідність налаштувати хвилини.*
- 4 Поверніть регулятор для налаштування хвилин (Мал. 23).
- 5 Натисніть регулятор по центру, щоб підтвердити хвилини (Мал. 24).
 - *Таймер налаштовано, і процес приготування розпочнеться в попередньо встановлений час.*

5.5 Функція запобігання протіканню

Функція запобігання протіканню дозволяє вийняти глек із кавоварки ще до завершення приготування. Коли вийняти глек, ця функція припиняє подачу кави у глек.

Примітка:

Процес приготування не припиняється після виймання глека. Якщо протягом 20 секунд не поставити глек назад у пристрій, може статися переповнення кошика фільтра.

6 Чищення та догляд

6.1 Чищення після кожного використання

Попередження:

Не занурюйте пристрій у воду чи іншу рідину та не мийте його під краном.

- 1 Натисніть кнопку "увімк./вимк." на передній частині пристрою, щоб його вимкнути. (Мал. 25)
- 2 Витягніть штепсель із розетки.
- 3 Протріть ззовні кавоварку вологою ганчіркою (Мал. 26).
- 4 Помийте кошик фільтра і глек у посудомийній машині або гарячою водою з миючим засобом.

6.2 Чищення лійки кавомолки

Коли Ви змінюватимете ємності для кавових зерен чи кавові зерна, завжди будуть залишки попереднього помелу зерен, що може вплинути на смак кави. Чистіть лійку кавомолки раз на 1-2 тижні або щоразу після зміни ємності для кавових зерен, щоб не змішувати свіжозмелену каву із залишками попередньої кави у лійці кавомолки. Почавши використовувати новий тип кавових зерен, виконайте дії, описані нижче, для забезпечення оптимального смаку.

- 1 Натисніть кнопку "увімк./вимк." на передній частині пристрою, щоб його вимкнути (Мал. 25).
- 2 Щоб відкрити тримач кошика фільтра, потягніть за його вушко з правого боку кавоварки (Мал. 14).
- 3 Візьміть паперовий фільтр (тип 1x4 або № 4) і загніть закріплені краї, щоб уникнути розриву та скручування. Встановіть паперовий фільтр у кошик фільтра. (Мал. 15)
- 4 Закрийте тримач кошика фільтра.
- 5 Щоб відкрити кришку лійки кавомолки, вставте плаский кінець ручки щітки для чищення у затвор і натисніть донизу (Мал. 27).

☰ Примітка:

Щоб швидко почистити лійку кавомолки лише за допомогою щітки, перейдіть до кроку 7. Щоб залишки меленої кави не впливали на смак свіжозмеленої кави, перейдіть до кроку 6.

- 6** Натисніть та утримуйте кнопку вибору міцності кави протягом 4 секунд (Мал. 28).
 - **Кавомолка почне самоочищення.**
- 7** Коли кавомолка припинить очищення, за допомогою щітки зметіть залишки меленої кави у нижню частину лійки (Мал. 29).
 - **Залишки меленої кави потрапляють у кошик фільтра.**

⚠ Попередження:

Не залишайте щітку у лійці кавомолки.

- 8** Закрийте кришку лійки кавомолки.
- 9** Вийміть паперовий фільтр із залишками меленої кави та викиньте його.

6.3 Видалення накипу з кавоварки

Почистіть кавоварку від накипу, якщо помітите надмірне утворення пари чи збільшення часу приготування кави. Рекомендовано видаляти накип кожні два місяці. Для видалення накипу використовуйте лише білий оцет, оскільки інші речовини можуть пошкодити кавоварку.

⚠ Попередження:

Для видалення накипу ніколи не використовуйте оцет із вмістом оцтової кислоти 8%, натуральний оцет або засоби для видалення накипу у вигляді порошку або таблеток, оскільки це може пошкодити пристрій.

- 1** Відкрийте кришку резервуара для води.
- 2** Наповніть резервуар для води 8 філіжанками білого оцту (4% розчин оцтової кислоти) та 2 філіжанками води (Мал. 6).
- 3** Встановіть паперовий фільтр (№ 4) у кошик фільтра та закрийте тримач кошика фільтра (Мал. 15).
- 4** Вставте порожній глек у пристрій (Мал. 7).

- 5** Вставте штекер у розетку.
- 6** Натисніть кнопку "увімк./вимк." на передній частині пристрою, щоб його увімкнути (Мал. 8).
 - **Засвітиться дисплей.**
- 7** Натисніть кнопку вибору міцності та поверніть регулятор для вибору налаштування попередньо змеленої кави (Мал. 10).
- 8** Натисніть регулятор по центру для підтвердження. Потім знову натисніть регулятор по центру для запуску процесу приготування кави (Мал. 11).
- 9** Зачекайте, поки половина розчину оцту з водою не витече у глек. Потім натисніть кнопку "увімк./вимк.", щоб завершити цикл приготування кави, і залиште розчин у кавоварці щонайменше на 15 хвилин (Мал. 30).
- 10** Натисніть кнопку "увімк./вимк.", щоб знов увімкнути кавоварку (Мал. 8).
- 11** Натисніть регулятор по центру один раз і дайте пристрою завершити процес приготування (Мал. 31).
- 12** Вилийте вміст глека і викиньте паперовий фільтр.
- 13** Наповніть резервуар для води холодною водою і натисніть регулятор по центру двічі, щоб розпочати інший цикл приготування кави. Дайте кавоварці завершити цикл приготування кави і вилийте вміст глека.
- 14** Повторюйте крок 13, поки вода не позбудеться присмаку і запаху оцту.
- 15** Помийте кошик фільтра і глек у посудомийній машині або гарячою водою з миючим засобом.
- 16** Натисніть кнопку "увімк./вимк." на передній частині пристрою, щоб його вимкнути.

7 Замовлення приладь

Щоб придбати приладдя чи запасні частини, відвідайте веб-сайт **www.shop.philips.com/service** або зверніться до дилера Philips. Можна також звернутися до Центру обслуговування клієнтів Philips у Вашій країні (контактну інформацію шукайте в гарантійному талоні).

8 Утилізація

- Цей символ на виробі означає, що цей виріб відповідає вимогам Директиви ЄС 2012/19/EU. Дізнайтеся про місцеву систему розділеного збору електричних та електронних пристроїв. Дотримуйтесь місцевих норм і не утилізуйте цей виріб зі звичайними побутовими відходами. Належна утилізація старих виробів допоможе запобігти негативному впливу на навколишнє середовище та здоров'я людей (Мал. 32).

9 Гарантія та підтримка

Якщо Вам необхідна інформація чи підтримка, відвідайте веб-сайт **www.philips.com/support** чи прочитайте окремий гарантійний талон.

10 Усунення несправностей

У цьому розділі зведено основні проблеми, які можуть виникнути під час використання пристрою. Якщо Ви не в змозі вирішити проблему за допомогою інформації, поданої нижче, відвідайте веб-сайт **www.philips.com/support** для перегляду списку частих запитань або зверніться до Центру обслуговування клієнтів у своїй країні.

Пристрій не працює.

- Вставте вилку шнура живлення в розетку і натисніть кнопку "увімк./вимк." на передній панелі пристрою, щоб увімкнути його.
- Перевірте, чи збігається напруга, вказана на пристрої, з напругою в мережі.
- Наповніть резервуар водою.
- Закрийте кришку лійки кавомолки.

У разі використання кавомолки кава надто слабка.

- Слідкуйте, щоб кількість філіжанок, яку Ви вибираєте за допомогою кнопки вибору кількості філіжанок 2-10 CUPS, відповідала кількості води в резервуарі. Не забувайте, що кавоварка використовує всю воду в резервуарі.
- За допомогою кнопки вибору міцності кави виберіть налаштування "міцна".
- Коли Ви берете кавові зерна, не натискайте кнопку попереднього помелу кави, оскільки це спричиняє вимкнення кавомолки.
- Беріть кавові зерна міцнішої суміші або смаку.
- Вибрана кількість філіжанок має відповідати кількості води в резервуарі.

У разі використання попередньо змеленої кави, кава надто слабка.

- Слідкуйте, щоб кількість попередньо змеленої кави у фільтрі відповідала кількості води в резервуарі. Не забувайте, що пристрій використовує всю воду в резервуарі.
- Беріть мелену каву міцнішої суміші або смаку.
- Щоб приготувати міцнішу каву, збільшіть кількість попередньо змеленої кави або зменшіть кількість води.

Фільтр протікає, коли глек знято з пристрою, поки кава ще готується.

- Якщо під час приготування кави глек зняти на довше, ніж 20 секунд, система запобігання протіканню спричиняє переповнення кошика фільтра. Зверніть також увагу на те, що кава набуває найкращого смаку тільки після закінчення циклу приготування. Тому рекомендуємо не знімати глек та не розливати каву до закінчення циклу приготування кави.

Із пристрою продовжує витікати рідина ще довгий час після приготування кави.

- Причиною витікання є конденсація пари. Цілком нормально, що із пристрою деякий час витікає рідина.
- Якщо витікання не припиняється, можливо, систему запобігання протіканню заблоковано. Щоб почистити систему запобігання протіканню, натисніть на вушко тримача кошика фільтра у правій частині кавоварки, щоб відкрити тримач. Вийміть кошик фільтра. Потім сполосніть кошик фільтра і систему запобігання протіканню проточною водою.
- Якщо під час приготування кави глек зняти довше, ніж на 20 секунд, система запобігання протіканню спричиняє переливання з кошика фільтра.

Кава недостатньо гаряча.

- Перед приготуванням кави попередньо нагрівайте глек гарячою водою.
- У разі приготування лише кількох філіжанок кава у глеку охолоджується швидше, а в разі приготування 10 філіжанок, що становить цілий глек, залишається гарячою довше.
- Використовуйте філіжанки з тонкими стінками, адже вони забирають менше тепла від кави, ніж товсті.
- Не беріть молоко з холодильника.
- Почистіть пристрій від накипу. Див. підрозділ “Видалення накипу з кавоварки” в розділі “Чищення та догляд”.

Кавоварка не починає чистити лійку кавомолки.

- Перевірте, чи кавоварку під'єднано до мережі.
- Перш ніж натиснути й утримувати кнопку кавомолки, переконайтеся, що кришку лійки кавомолки відкрито.
- Натисніть та утримуйте кнопку кавомолки протягом 4 секунд, поки вона не почне очищуватися.

Пристрій працює, але видає звукові сигнали.

- Перевірте, чи кришку лійки кавомолки встановлено належним чином.

Здається, що кавові зерна швидко використовуються.

- Може здатися, ніби кавові зерна швидко використовуються. Для приготування філіжанки ідеальної кави потрібна певна кількість меленої кави. Пристрій використовує належну кількість кавових зерен для приготування відповідної кількості меленої кави.

