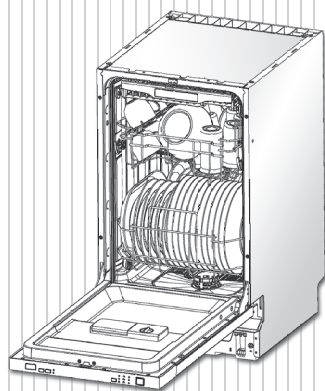


TECHNICAL PASSPORT

ПАСПОРТ ТЕХНИЧЕСКОГО ИЗДЕЛИЯ



GS 4533

DISHWASHERS

ПОСУДОМОЕЧНЫЕ МАШИНЫ

KUPPERSBERG

Dishwasher

**CONTENTS**

1) SAFETY INFORMATION	3
2) DISPOSAL	5
3) OPERATION INSTRUCTION	6
CONTROL PANEL	6
DISHWASHER FEATURES	7
4) PRIOR USING FOR THE FIRST TIME	7
SET THE WATER SOFTENER	7
LOADING THE SALT INTO THE SOFTENER	8
FILL THE RINSE AID DISPENSER	9
FUNCTION OF DETERGENT	11
5) LOADING THE DISHWASHER BASKETS	14
6) STARTING A WASHING PROGRAMME	18
WASH CYCLE TABLE	18
TURNING ON THE APPLIANCE	19
CHANGE THE PROGRAMME	19
FORGET TO ADD DISH	19
7) MAINTENANCE AND CLEANING	20
8) TROUBLESHOOTING TIPS	23
ERROR CODES	23
BEFORE CALLING FOR SERVICE	24
TECHNICAL INFORMATION	26



READ THIS MANUAL

Dear Customer,

Please read this User Information carefully and keep it to refer to at a later date.

Pass it on to any subsequent owner of the appliance.

This manual contains sections of Safety Instructions, Operating Instructions, Installation Instructions and Troubleshooting Tips, etc.

Carefully read it before using the dishwasher will help you to use and maintain the dishwasher properly.



BEFORE CALLING FOR SERVICE

To review the section on Troubleshooting Tips will help you to solve some common problems by yourself and not need to ask for the help of professional technicians.



NOTE:

The manufacturer, following a policy of constant development and updating of the product, may make modifications without giving prior notice.



1. SAFETY INFORMATION

WARNING!

When using your dishwasher, follow the basic precautions including the following:

WARNING! HYDROGEN GAS IS EXPLOSIVE

Under certain conditions, Hydrogen gas may be produced in a hotwater system that has not been used for two weeks or more. HYDROGEN GAS IS EXPLOSIVE. If the hot-water system has not been used for such a period, before using the dishwasher turn on all hot-water faucets and let the water flow from each for several minutes. This will release some accumulated hydrogen gas. As the gas is flammable, do not smoke or use an open flame this time.

WARNING! PROPER USE

➔ Do not abuse, sit on, or stand on the door or dish basket of the dishwasher.

➔ Do not touch the heating element during or immediately after using.

➔ Do not operate your dishwasher unless all enclosure panels are properly in place. Open the door very carefully if the dishwasher is operating. There is a risk of water squirting out.

➔ Do not place any heavy objects or stand on the door when it is open. The appliance could tip forward.

➔ When loading items to be washed:

⇒ Locate sharp items so that they are not likely to damage the door seal;

⇒ Load sharp knives with the handles up to reduce the risk of cuttype injuries;

Dishwasher

⇒ Warning: Knives and other utensils with sharp points must be loaded in the basket with their points down or placed in a horizontal position.

⇒ When using your dishwasher, you should prevent plastic items from contacting with heating element.

⇒ Check that the detergent receptacle is empty after completion of the wash cycle.

⇒ Do not wash plastic items unless they are marked dishwasher safe or the equivalent. For plastic items not so marked, check the manufacturer's recommendations.

⇒ Use only detergent and rinse additives designed for an automatic dishwasher. Never use soap, laundry detergent, or hand washing detergent in your dishwasher.

⇒ Other means for disconnection from the supply must be incorporated in the fixed wiring with at least 3mm contact separation in all poles.

⇒ Keep children away from detergent and rinse aid, keep children away from the open door of the dishwasher, there could still be some detergent left inside.

⇒ These instructions shall also be got from the manufacturer or responsible Vendor.

⇒ To protect against the risk of electrical shock, do not immerse the unit, cord or plug in water or other liquid.

⇒ This appliance can be used by children aged from 8 years and above and persons with reduced physical, sensory or mental capabilities or lack of experience and knowledge if they have been given supervision or instruction concerning use of the appliance in a safe way and understand the hazards involved. Children shall not play with the appliance. Cleaning and user maintenance shall not be made by children without supervision.

⇒ Dishwasher detergents are strongly alkaline. They can be extremely dangerous if swallowed. Avoid contact with skin and eyes, and keep children away from the dishwasher when the door is open.

⇒ The door should not be left in the open position since this could present a tripping hazard.

⇒ If the supply cord is damaged, it must be replaced by the manufacturer or its service agent or a similarly qualified person in order to avoid a hazard.

⇒ Please dispose of packing materials properly.

⇒ During installation, the power supply must not be excessively or dangerously bent or flattened.

⇒ Do not tamper with controls.

⇒ The appliance is to be connected to the water mains using new hose sets, and the old hose-sets should not be reused.

➔ Make sure that the carpet must not obstruct the openings at the bottom base.

➔ Use the dishwasher only for its intended function.

➔ The dishwasher is intended for indoor use only.

➔ The dishwasher is not designed for commercial use. It is intended for use in domestic households and in similar working and residential environments.

➔ Please do not overload your dishwasher. There is only space for 11 standard dishes. Do not use dish that is not suitable for dishwashers. This is important for good results and for reasonable energy consumption.

READ AND FOLLOW THIS SAFETY INFORMATION CAREFULLY

SAVE THESE INSTRUCTIONS



2. DISPOSAL

Dispose of the dishwasher packaging material correctly.

All packaging materials can be recycled. Plastic parts are marked with the standard international abbreviations: (e.g. PS for polystyrene, padding material)



This appliance is identified according to the European guideline 2002/96/EC on waste electrical and electronic equipment -WEEE. The guideline specifies the framework for an EU-wide valid return and re-use of old appliances.

WARNING!

Packaging material could be dangerous for children!

For disposing of package and the appliance please go to a recycling centre. Cut off the power supply cable and make the door closing device unusable.

Cardboard packaging is manufactured from recycled paper and should be disposed in the waste paper collection for recycling.

By ensuring this product is disposed of correctly, you will help prevent potential negative consequences for the environment and human health, which could otherwise be caused by inappropriate waste handling of this product.

For more detailed information about recycling of this product, please contact your local city office and your household waste disposal service

IMPORTANT!

To get the best performance from your dishwasher, read all operating instructions before using it for the first time.

Dishwasher



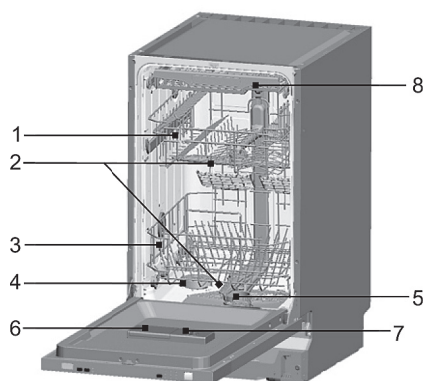
3. OPERATION INSTRUCTION

Control Panel



1. Digital display: To display the running time remain, malfunction codes and delay time.
2. Delay button The START DELAY will allow you to delay the start time of any cycle automatically up to 24hours.
3. Function alternative button: Press this button you can choose the additional function «3 IN 1», washing of upper layer or washing of lower layer and the corresponding light flashes.
4. Salt refill indicator: The indicator lights up when the softener needs to be refilled.
5. Program select button/Child lock button: Press the button to select the program. The «child lock» will be available when you press the button 3 seconds, and «LO» flashes 6 times on digital displays.
6. 3 in 1 indicator: The indicator lights up when the additional function be selected.
7. Program indicator light When you select a washing programme, the corresponding light will display.
8. Power switch: To turn on/off the power supply.
9. Washing light of upper layer: To come on when the upper spray arm is washing.
10. Washing light of lower layer: To come on when the lower spray arm is washing.
11. Rinse aid refill indicator: The indicator lights up when dispenser needs to be refilled.

Dishwasher Features



Front View

- 1 Upper Basket
- 2 Spray Arms
- 3 Lower Basket
- 4 Water Softener
- 5 Filters
- 6 Detergent Dispenser
- 7 Rinse Aid Dispenser
- 8 Cutlery basket



4. PRIOR USING FOR THE FIRST TIME

Before using your dishwasher for the first time:

- A. Set the water softener
- B. Loading the salt into the softener
- C. Fill the rinse aid dispenser
- D. Fill in detergent

A. Set the Water Softener

The water softener is designed to remove minerals and salts from the water, which would have a detrimental

or adverse effect on the operation of the appliance. The higher the content of these minerals and salts, the harder the water is. The softener should be adjusted according to the hardness of the water in your area. Your local \ Afeiter Authority can advise you on the hardness of the water in your area.

Setting

The amount of salt dispensed can be set from H0 to H7.

Salt is not required at the set value H0.

1. Find out about the hardness value of your tap water. Your water utility company will help you with this.
2. Set value can be found in the water hardness table.
3. Close the door.
4. Switch on «Power» switch.
5. Hold down « Delay» button and then press «Program» button for 5 seconds. The buzzer rings one time and H. flashes on the digital display. (factory setting is H4)

To change the setting:

1. Press « Delay « button. Each time the button is pressed, the set value increases by one level; when the value of H7 has been reached, the display jumps back to H0 (off).
2. Press « Program « button. The chosen setting has now been stored.

Contact your local water board for information on the hardness of your water supply.


Dishwasher

Water hardness table

Water hardness		Mmol/l	Set value on the machine
"Clark	Range		
0-8	soft	0-1.1	H0
9-10	soft	1.2-1.4	H1
11-12	medium	1.5-1.8	H2
13-15	medium	1.9-2.1	H3
16-20	medium	2.2-2.9	H4
21-26	hard	3.0-3.7	H5
27-38	hard	3.8-5.4	H6
39-62	hard	5.5-8.9	H7

B. Loading the Salt into the Softener

Always use salt intended for use with dishwasher.

 **NOTE:** If your model has no water softener, you may skip this section

WATER SOFTENER

The hardness of the water varies from place to place. If hard water is used in the dishwasher, deposits will form on the dishes and utensils.

The appliance is equipped with a special softener that uses salts specifically designed to eliminate lime and minerals from the water.

The salt container is located beneath the lower basket and should be filled as follows:

Attention!

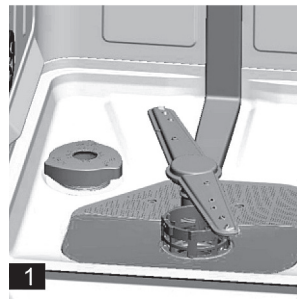
Only use salt specifically designed for use in dishwashers! All other types of salt not specifically designed for

use in a dishwasher, especially table salt, will damage the water softener. In case of damages caused by the use of unsuitable salt the manufacturer does not give any warranty nor is liable for any caused damages.

Only fill with salt just before starting one of the complete washing programmes.

This will prevent any grains of salt or salty water, which may have been split, remaining on the bottom of the machine for any period of time, which may cause corrosion.

After the first wash cycle the control panel light expires.



A. Remove the lower basket and then unscrew and remove the cap from the salt container. **1**

B. If you are filling the container for the first time, fill 2/3 of its volume with water (around 500ml). **2**

C. Place the end of the funnel (supplied) into the hole and introduce about 1,2kg of salt. It is normal for a small amount of water to come out of the salt container.

D. Carefully screw the cap back on.

E. Usually, the salt warning light will be off in 2-6 days after the salt container is filled with salt.

NOTE:

1. The salt container must be refilled when the salt warning light in the control panel comes on. Though the salt container is filled enough, the indicator light may not black out before the salt fully dissolve. If there is no salt warning light in the control panel (for some models), you can judge when to load the salt into the softener by the cycles that the dishwasher had run (see the following schema).
2. If there are spills of the salt, a soak program could be run to wipe them out.

C. Fill the Rinse Aid Dispenser

Function of Rinse Aid

Rinse aid is automatically added during the last rinse, ensuring thorough rinsing, spot and streak free drying.

Attention!

Only use branded rinse aid for dishwasher. Never fill the rinse aid dispenser with any other substances

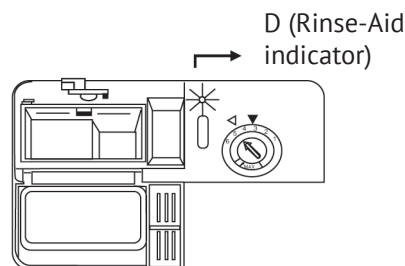
(e.g. dishwasher cleaning agent, liquid detergent). This would damage the appliance.

When to Refill the Rinse Aid Dispenser

If there is no rinse-aid warning light on the control panel, you can judge the amount of rinse-aid by the color of the optical level indicator «D» located next to the cap. When the rinse-aid container is full the whole indicator will be dark. As the rinse aid diminishes, the size of the dark dot decreases. You should never let the rinse aid get below 1 / 4 full.

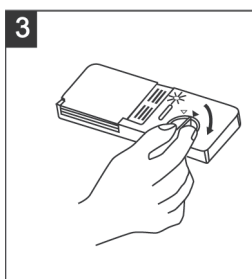
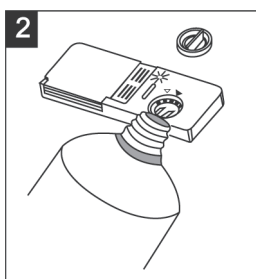
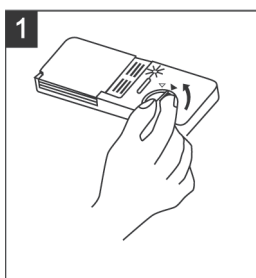
As the rinse aid diminishes, the size of the black dot on the rinse aid level indicator changes, as illustrated below.

- Full
- 3/4 full
- ◐ 1/2 full
- ◑ 1/4 full - Should refill to eliminate spotting
- Empty



Dishwasher

RINSE AID DISPENSER



1 To open the dispenser, turn the cap to the «open» (left) arrow and lift it out.

2 Pour the rinse aid into the dispenser, be careful not to overfill.

3 Replace the cap by inserting it aligned with «open» arrow and turning it to the «closed» (right) arrow.

The rinse aid is released during the final rinse to prevent water from forming droplets on your dishes that can leave spots and streaks. It also improves drying by allowing water to sheet off the dishes. Your dishwashers are designed to use liquid rinse aids. The rinse aid dispenser is located inside the door next to the detergent dispenser.

To fill the dispenser; open the cap and pour the rinse aid into the dispenser until the level indicator turns completely black. The volume of the rinse aid container is about 140ml.

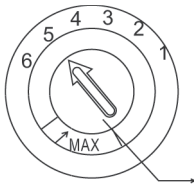
Be careful not to overfill the dispenser, because this could cause oversudsing. Wipe away any spills with a damp cloth. Don't forget to replace the cap before you close dishwasher door.

Attention!

Clean up any rinse aid split during filling with an absorbent cloth to avoid excess foaming during the next wash.

Adjusting Rinse Aid Dispenser

The rinse aid dispenser has four or six settings. Always start with the dispenser set on «4». If spots and poor drying are problems, increase the amount of rinse aid dispensed by removing the dispenser lid and rotating the dial to «5». If the dishes still are not drying properly or are spotted, adjust the dial to the next higher number until your dishes are spot-free. The dose is factory set in position 5.



Adjust lever
(Rinse)

NOTE:

Increase the dose if there are drops of water or lime spots on the dishes after washing.

Reduce it if there are sticky whitish streaks on the dishes or a bluish film on glassware or knife blades.

D. Function of Detergent

Detergents with its chemical ingredients are necessary to remove dirt, crush dirt and transport it out of the dishwasher. Most of commercial quality detergents are suitable for this purpose.

Concentrated Detergent

Based on their chemical composition, dishwasher can be split in two basic types:

- ➔ conventional, alkaline detergents with caustic components
- ➔ low alkaline concentrated detergents with natural enzymes

The use of «Eco» washing programme in conjunction with concentrated detergents reduces pollution and is good for your dishes; these washing programmes are specially matched to the dirt-dissolving properties of the enzymes of the concentrated detergent. For this reason «Eco» washing programme in which concentrated

detergents are used can achieve the same results that can otherwise only be achieved using »intensive« programme.

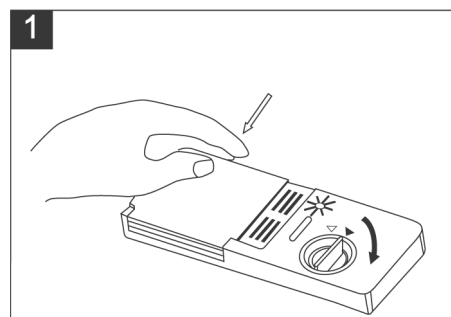
Detergent Tablets

Detergent tablets of different brands dissolve at different speeds. For this reason some detergent cannot dissolve and develop their full cleaning power during short programmes. Therefore please use long programmes when using detergent tablets, to ensure the complete removal of detergent residuals.

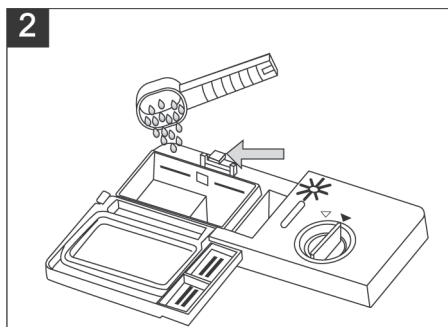
Detergent Dispenser

The dispenser must be refilled before the start of each washing cycle following the instructions provided in the Wash Cycle Table. Your dishwashers use less detergent and rinse aid than conventional dishwashers. Generally, only one tablespoon of detergent is needed for a normal wash load. Also, more heavily soiled items need more detergent. Always add the detergent just before starting dishwasher, otherwise it could get damp and will not dissolve properly.

Amount of Detergent to Use



Dishwasher



NOTE:

1 If the lid is closed: press release button. The lid springs open.

2 Always add the detergent just before starting each wash cycle. Only use branded detergent aid for dishwasher.

WARNING!

Dishwasher detergent is corrosive! Take care to keep it out of reach of children.

Use only detergent specifically made for use in dishwashers. Keep your detergent fresh and dry.

Don't put powder detergent into the dispenser until you're ready to wash dishes.

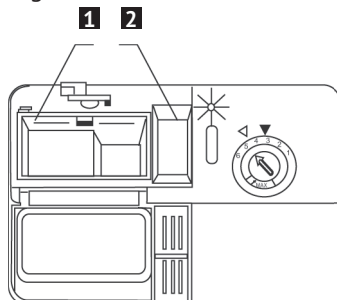
Fill in the detergent

Fill the detergent dispenser with detergent.

The marking indicates the dosing levels, as illustrated on the right:

1 The place of main wash cycle detergent placed, «MIN» means approximately 20g of detergent.

2 The place of pre-wash cycle detergent placed, approximately 5g of detergent.



Please observe the manufacturer's dosing and storage recommendations as stated on the detergent packaging.

Close the lid and press until it locks in place.

If the dishes are heavily soiled, place an additional detergent dose in the pre-wash detergent Chamber. This detergent will take effect during the pre-wash phase.

Please observe the manufacturer's dosing and storage recommendations as stated on the detergent packaging.

Close the lid and press until it locks in place.

If the dishes are heavily soiled, place an additional detergent dose in the pre-wash detergent Chamber. This detergent will take effect during the pre-wash phase.

NOTE:

You find information about the amount of detergent for the single programme on the last page. Please be aware that according to the level soiling and the specific hardness of water,

differences are possible. Please observe the manufacturer's recommendations on the detergent packaging.

Detergents

There are 3 sorts of detergents

1. With phosphate and with chlorine
2. With phosphate and without chlorine
3. Without phosphate and without chloride

Normally new pulverized detergent is without phosphate. The water softener function of phosphate is not given. In this case we recommend to fill salt in the salt container even when the hardness of water is only 6 dH. If detergents without phosphate were used in case of hard water often white spots appear at dishes and glasses. In this case please add more detergent to reach better results. Detergents without chlorine do only bleach a little. Strong and coloured spots will not removed completely. In this case please choose a programme with higher temperature.

Use of «3 in 1» Detergent Tablets

General Advice

1. Before using these products you should first check that the water hard-ness in your supply is compatible with the use of these products as per the detergent manufacturers instructions (on the product packaging).
2. These products should be strictly used according to the detergent manufacturers instructions.

3. If you encounter problems when using «3 in 1» products for the first time then please contact the detergent manufacturers care line (the telephone number is given on the product packaging).

These products are detergents with integrated and combined detergent/ rinse aid and salt functions. Before using these products you should first check that the water hardness in your supply is compatible with the use of these products as per the detergent manufacturers (on the product packaging).

Special Advice

When using combination products, the rinse-aid and salt lights are no longer useful. It may be helpful to select the lowest possible setting for water hardness.

To select «3in1» function:

1. Press the power switch and select the 3in1 washing cycle by pressing the option button « Alt» until the «3in1» indicator blinks.
2. The 3in1 washing cycle will be available after pressing the start/ pause button , and the»3in1» indicator lights.

To cancel «3in1» function:

1. Follow the 'Cancelling a programme in progress' instructions. If you decide to switch to the use of a standard detergent system we advise that you:1. Refill both the salt and rinse aid compartments.

Dishwasher

2. Switch the water hardness setting to the highest possible position and run for three normal cycles without load.
3. Readjust the water hardness setting again according to the conditions for your region (For more information please refer to your instruction manual).

Note:3in1 washing cycle is additional function, they must be used with other programme (Intensive, Eco and Light).



5. LOADING THE DISHWASHER BASKETS

For best performance of the dishwasher, follow these loading guidelines. Features and appearance of baskets and silverware baskets may vary from your model.

Attention before or after Loading the Dishwasher Baskets

Scrape off any large amounts of leftover food. It is not necessary to rinse the dishes under running water. Place objects in the dishwasher in the following way:

1. Items such as cups, glasses, pots/pans, etc. are stood upside down.
2. Curve items, or those with recesses, should be at a slant so that water can run off.
3. They are stacked securely and can not tip over.
4. They do not prevent the spray arms from rotating while washing takes place.

Very small items should not be washed in the dishwasher as they could easily fall out of the baskets.

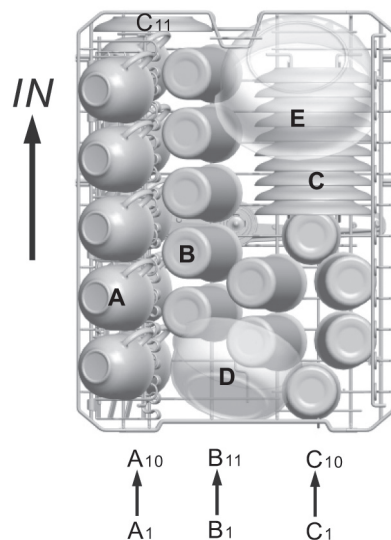
Removing the Dishes

To prevent water dripping from the upper basket into the lower basket, we recommend that you empty the lower basket first and then the upper basket.

Loading the Upper Basket

The upper basket is designed to hold more delicate and lighter dishware such as glasses, coffee and tea cup and saucers, as well as plates, small bowls and shallow pans (as long as they are not too dirty). Position the dishes and cookware so that they do not get moved by the spray of water.

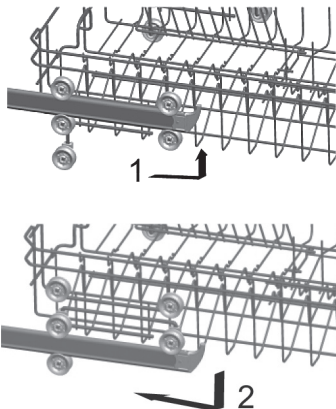
Upper Basket



Upper basket	
Type	Item
A	Cup
B	Glass
C	Saucer
D	Serving bowl
E	Serving bowl

Adjusting the Upper Basket

If required, the height of the upper basket can be adjusted in order to create more space for large utensils either in the upper basket or lower basket. The upper basket can be adjusted for height by putting wheels of different height into the rails. Long items, serving cutlery, salad servers or knives should be placed on the shelf so that they do not obstruct the rotation of the spray arms. The shelf can be folded back or removed when not be required for use.



Loading the Lower Basket

We recommend that you place large items which are most difficult to clean

in to the lower basket: pots, pans, lids, serving dishes and bowls, as shown in the figure below.

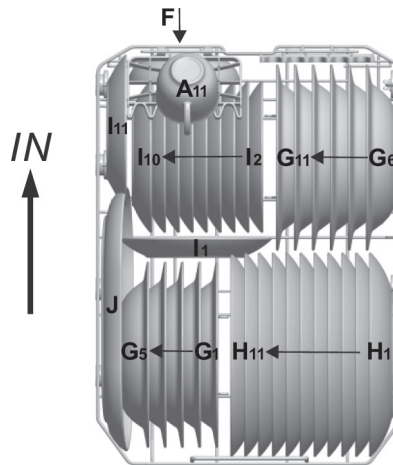
It is preferable to place serving dishes and lids on the side of the baskets in order to avoid blocking the rotation of the top spray arm.

Pots, serving bowls, etc. must always be placed top down.

Deep pots should be slanted to allow water to flow out.

The bottom basket features fold down tine rows so that larger or more pots and pans can be loaded.

Lower Basket



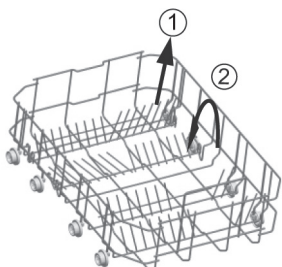
Lower basket	
Type	Item
A	Cup
F	Serving bowl
G	Soup plate
H	Dinner plate
I	Dessert plate
J	Oval plate

Dishwasher

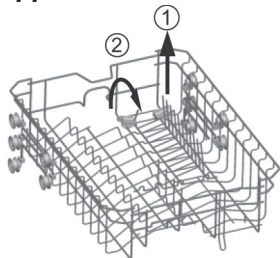
*** Upper and Lower basket
Folding racks**

Folding racks consisting of two parts that are located on the lower basket of your machine are designed in order to let you place big items easier as pots, pans, etc. If requested, each part can be folded separately, or all of them can be folded and larger can be obtained. You can use folding racks by raising them upwards, or by folding.

Lower Basket



Upper Basket



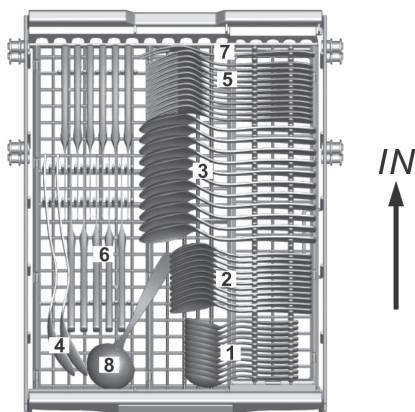
*** For optional**

Cutlery tray

Arrange the cutlery in the tray as shown. Cutlery should be placed to ensure that water runs off freely.

Cutlery tray consists of two parts, and each of parts is adjustable. Lift one part or both up to increase the space for larger utensils for upper basket.

Cutlery tray



Door side



Cutlery basket	
Type	Item
1	Tea spoons
2	Dessert spoons
3	Soup spoons
4	Serving spoons
5	Forks
6	Knives
7	Serving fork
8	Gravy ladle

For washing in the dishwasher the following cutlery/dishes

Are not suitable

Cutlery with wooden, horn china or mother-of-pearl handles

Plastic items that are not heat resistant

Older cutlery with glued parts that is not temperature resistant

Bonded cutlery items or dishes

Pewter or cooper items

Lead crystal glass

Steel items subject to rusting

Wooden platters

Items made from synthetic fibre



WARNING!

Do not let any item extend through bottom

Are of limited suitability

Some types of glasses can become dull after a large number of washes

Silver and aluminium parts have a tendency to discolour during washing

Glazed patterns may fade if machine washed frequently

NOTE: Do not put in items that are dirty of cigarette ash, candle wax, lacquer or paint. If you buy new dishes please make sure that they are suitable for dishwashers.

NOTE: Please do not overload your dishwasher. There is only space for 11 standard dishes. Do not use dish that is not suitable for dishwashers. This is important for good results and for reasonable energy consumption.

Loading Cutlery and Dishes

Before loading the dishes, you should:

Remove large left-over

Soften remnants of burnt food in pans

When Loading the Dishes and Cutlery, Please Note:

Dishes and cutlery must not impede the rotation of the spray arms.

Load hollow items such as cups, glasses, pans etc. with the opening downwards so that water cannot collect in the container or a deep base.

Dishes and items of cutlery must not lie inside one another, or cover each other

➤ To avoid damage to glasses, they must not touch

➤ Load large items which are most difficult to clean into the lower basket

➤ The upper basket is designed to hold more delicate and lighter dishware such as glasses, coffee and tea cups

Attention!

Long bladed knives stored in an upright position are a potential hazard!

Long and/or sharp items of cutlery such as carving knives must be positioned horizontally in the upper basket

Damage to Glassware and other Dishes

Possible causes:

➤ Type of glass or manufacturing process. Chemical composition of detergent.

➤ Water temperature and duration of dishwasher programme.

Suggested remedy:

➤ Use glassware or porcelain dishes that have been marked dishwasher-proof by the manufacturer.

Dishwasher

- ➔ Use a mild detergent that is described as kind of dishes. If necessary, seek further information from detergent manufacturers.
- ➔ Select a programme with a low temperature.
- ➔ To prevent damage, take glass and cutlery out of the dishwasher as soon as possible after the programme has ended.






At the End of the Wash

When the working cycle has finished, the buzzer of dishwasher will ring for 6 times, then stop. Turn off the appliance using the «Power» button, shut off the water supply and open the door of the dishwasher. Wait a few minutes before unloading the dishwasher to avoid handling the dishes and utensils while they are still hot and more susceptible to breakage. They will also dry better.



6. STARTING A WASHING PROGRAMME

Wash cycle table

Program	Cycle Selection Information	Description of Cycle	Detergent Pre/main	Running Time (min)	Energy (kWh)	Water (L)
 Intensive	For the heaviest soiled loads, such as pots, pans, casserole dishes and dishes that have been sitting with dried food on them for a while.	Pre-wash Main wash (60°C) Rinse 1 Rinse 2 Hot rinse Drying	5/22.5 (or 3 in 1)	185	1.360	14.0
ECO (*EN50242) (Standard Programme)	For normally soiled loads, such as pots, plates, glasses and lightly soiled pans, standard daily cycle.	Pre-wash Main wash (44°C) Hot rinse Drying	5/22.5 (or 3 in 1)	238	0.782	9.0
 Light	Light wash cycle to be used for more delicate items which are sensitive to high temperatures. (Run cycle immediately after use)	Pre-wash Main wash(45°C) Rinse Hot rinse Drying	5/20 (or 3 in 1)	143	0.730	11.5
 60 min	For lightly and normally soiled plates and pans for every day.	Pre-wash Main wash (50°C) Hot rinse Drying	5/20	60	0.850	8.7
 Rapid	A shorter wash for lightly soiled loads that do not need drying.	Main wash (45°C) Hot rinse	15	40	0.650	5.9
 Pre-Rinse	To rinse dishes that you plan to wash later that day	Pre-wash	/	12	0.010	3.3

* EN 50242: this program is the test cycle

The information for comparability test in accordance with EN50242,as follows:

- Capacity: 11 settings
- Position of upper basket: Lower position
- Rinse aid setting: 6 (or 4 for four setting dispenser)

Turning on the Appliance

Starting a wash cycle...

Draw out the lower and upper basket, load the dishes and

1. push them back. It is recommended to load the lower basket first, then the upper one (see the section entitled «Loading the Dishwasher»). Pour in the detergent (see the section entitled «Salt, Detergent and Rinse Aid»).
2. Insert the plug into the socket. The power supply is 220-240V AC 50 Hz, the specification of the socket is 12 A 250 VAC.50 Hz.

Make sure that the water supply is turned on to full pressure. Close the door, press the » Power« button, Press the » Program“ button to select a desired »Wash cycle«. (See the section entitled »Wash Cycle Table«). With a little force to ensure the door is properly closed.

NOTE: A click could be heard when the door is closed perfectly.

When the washing is over, you can shut off the switch by pressing »Power« button.

Change the Programme.

Premise: A cycle that is underway can only be modified if it has only been running for a short time. Otherwise, the detergent may have already been released, and the appliance may have already drained the wash water. If this is the case, the detergent dispenser must be refilled (see the section entitled « Fill in the Detergent»).

Press »On/Off“ button to cancel the programme, and turn on it again ,then

you can change the programme to the desired cycle setting (see the section entitled «Starting a wash cycle...«).

NOTE: If you open the door when washing, the machine pauses and warning alarm rings, the display appears E1. When you close the door, the machine will keep on working after 10 seconds.

The 6 programme lights show the state of the dishwasher:

- a) One of the programme lights on-> cycle running
- b) One of the programme lights blinking ->pause

NOTE: If all the lights begin to glimmer, that indicates the machine is out of order, please turn of the main power and water supply before calling a service.

Forget to Add Dish

A forgotten dish can be added any time before the detergent cup opens.

1. Open the door a little to stop the washing.
2. After the spray arms stop working, you can open the door completely.
3. Add forgotten dishes.
4. Close the door, the dishwasher will work after ten seconds.

WARNING!

It is dangerous to open the door when washing, because the hot water may scald you.

Switch Off the Dishwasher

The digital display appears «-» and the buzzer rings 6 times, only in this case the programme has ended.

Dishwasher

1. Switch off the dishwasher by pressing the »Power« button.
2. Turn off the water tap!
Open the door carefully. Hot steam may escape when the door is opened!
 - ➔ Hot dishes are sensitive to knocks. The dishes should therefore be allowed to cool down around 15 minutes before removing from the appliance.
 - ➔ Open the dishwasher's door, leave it ajar and wait a few minutes before removing the dishes. In this way they will be cooler and the drying will be improved.

Unloading the dishwasher

It is normal that the dishwasher is wet inside.
Empty the lower basket first and then the upper one. This will avoid water dripping from the upper basket onto the dishes in the lower one.



7. MAINTENANCE AND CLEANING

Filtering System

The filter is used to avoid the big remnants and other sundries getting inside the pump. The residue can obstruct the filter in sometime.

The filter system consists of a coarse filter, a flat (Main filter) and a micro filter (fine filter).

1. Flat filter

Food and debris will be trapped by a special jet on the lower spray arm.

2. Coarse filter

Big debris, such as bone and glass that could clog the drain will be trapped in the coarse filter.

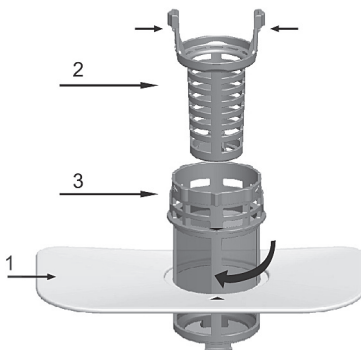
To remove an item caught in this filter, gently squeeze the taps on the top of this filter and lift it out.

3. Micro filter

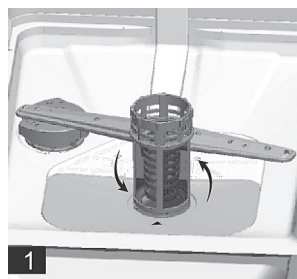
This filter holds soil and food residue in the sump area and prevents it from being redeposited on the dishes during a cycle.

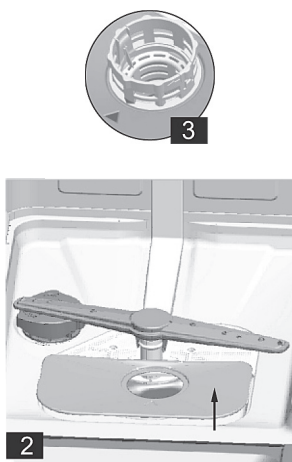
⇒ Inspect the filters for obstruction every time the dishwasher has been used.

⇒ By unscrewing the coarse filter, you can remove the filter system. Remove any food remnants and clean the filters under running water.



Step 1: contrarotate the Coarse filter, and then lift it up; Step 2: lift the Flat filter up





NOTE: If operate from step 1 to step 2, the filter system will be removed; while operate from step 2 to step 1, the filter system will be installed **3**.

Filter assembly

For best performance and results, the filter assembly must be cleaned. The filter efficiently removes food particles from the wash water, allowing it to be recirculated during the cycle. For this reason, it is a good idea to remove the larger food particles trapped in the filter after each wash cycle by rinsing the semicircular filter and cup under running water. To remove the filter assembly, pull on the cup handle in the upward direction. The entire filter assembly should be cleaned once a week. To clean the coarse filter and the micro filter, use a cleaning brush. Then, reassemble the filter parts as shown in the figures above and reinsert the entire assembly in the dishwasher, positioning

in its seat and pressing downward. The dishwasher must never be used without the filters. Improper replacement of the filter may reduce the performance level of the appliance and damage dishes and utensils.

! WARNING!

Never run the dishwasher without the filters in place. When cleaning the filters, don't knock on them. Otherwise, the filters could be contorted and the performance of dishwasher could be debased.



Cleaning the Spray Arms

It is necessary to clean the spray arms regularly for hard water chemicals will clog the spray arm jets and bearings.

To remove the spray arms, screw off the nut clockwise to take out the washer on top of the spray arm and remove the arm. Wash the arms in soapy and warm water and use a soft brush to clean the jets. Replace them after rinsing thoroughly.

Dishwasher

Caring for the Dishwasher

To clean the control panel, use a lightly dampened cloth then dry thoroughly.

To clean the exterior; use a good appliance polish wax.

Never use sharp objects, scouring pads or harsh cleaners on any part of the dishwasher.

Protect Against Freezing

If your dishwasher is left in an unheated place during the winter, ask a service technical to:

1. Cut off electrical power to the dishwasher.
2. Turn off the water supply and disconnect the water inlet pipe from the water valve.
3. Drain water from the inlet pipe and water valve. (Use a pan to catch the water)
4. Reconnect the water inlet pipe to the water valve.
5. Remove the filter in the tub and the bottom and use a sponge to use up water in sump

Cleaning the Door

To clean the edge around the door; you should use only a soft warm, damp rag. To prevent penetration of water into the door lock and electrical components, do not use a spray cleaner of any

Also, never use abrasive cleaners or scouring pads on the outer surfaces because they will scratch the finish. Some papers towels can also scratch or leave marks on the surface.

WARNING!

Never use a spray cleaner to clean the door panel for it could damage the door lock and electrical components. It is not allowed to use the abrasive agent or some paper towel because of the risk of scratching or leaving spots on the stainless steel surface.

How to Keep Your Dishwasher in Shape➤ **After Every Wash**

After every wash, turn off the water supply to the appliance and leave the door slightly ajar so that moisture and odors are not trapped inside.

➤ **Remove the Plug**

Before cleaning or performing maintenance, always remove the plug from the socket. Do not run risks.

➤ **No Solvents or Abrasive Cleaning**

To clean the exterior and rubber parts of the dishwasher, do not use solvents or abrasive cleaning products. Use only a cloth and warm soapy water. To remove spots or stains from the surface of the interior, use a cloth dampened with water and a little white vinegar, or a cleaning product made specifically for dishwashers.

➤ **When You Go on holiday**

When you go on holiday, it is recommended that you run a wash cycle with the dishwasher empty and then remove the plug from the socket, turn off the water supply and leave the door of the appliance slightly ajar. This will help the seals last longer and prevent odors from forming in the appliance.

➔ Moving the Appliance

If the appliance must be moved, try to keep it in the vertical position. If absolutely necessary, it can be positioned on its back.

➔ Seals

One of the factors that cause odors to form in the dishwasher is food that remains trapped in the seals. Periodic cleaning with a damp sponge will prevent this.

Attention:

The installation of the pipes and electrical equipments should be done by professionals.

WARNING



Electrical Shock Hazard!

Disconnect electrical power before installing dishwasher.

Failure to do so can result in death or electrical shock.

8. TROUBLESHOOTING TIPS

Error codes

When some malfunctions happen, the appliance will display error codes to warn you.

Codes	Meanings	Possible Causes
E1	Door open	The door is opened when the dishwasher is operating
E2	Water inlet	Water inlet malfunction
E3	Water drainage	Water drainage malfunction
E4	Temperature sensor	Temperature sensor malfunction
E5	Overflow/leakage	Overflow occurs/Water leakage occurs
E6	Water leakage	Water leakage occurs
E7	Heating element	Abnormal heating

WARNING!

If overflow occurs, turn off the main water supply before calling a service. If there is water in the base pan because of an overflow or small leak, the water should be removed before restarting the dishwasher.

Dishwasher

Before Calling for Service

Reviewing the charts on the following pages may make you be free of calling for service.

Problem	Possible Causes	What To Do
Dishwasher doesn't run	Fuse blown, or the circuit breaker acted	Replace fuse or reset circuit breaker. Remove any other appliances sharing the same circuit with the dishwasher
	Power supply is not turned on	Make sure the dishwasher is turned on and the door is closed securely. Make sure the power cord is properly plugged into the wall socket.
	Water pressure is low	Check that the water supply is connected properly and the water is turned on.
Drain pump doesn't stop	Overflow	The system is designed to detect an overflow. When it does, it shuts off the circulation pump and turns on the drain pump.
Noise	Some audible sounds are normal	Sound from detergent cup opening.
	Utensils are not secure in the baskets or something small has dropped into the basket	To ensure everything is secured in the dishwasher
	Motor hums	Dishwasher has not been used regularly. If you do not use it often, remember to set it to fill and pump out every week, which will help keep the seal moist.
Suds in the tub	Improper detergent	Use only the special dishwasher detergent to avoid suds. If this occurs, open the dishwasher and let suds evaporate. Add 1 gallon of cold water to the tub. Close and latch the dishwasher, then start the "pre-rinse" wash cycle to drain out the water... Repeat if necessary.
	Spilled rinse agent	Always wipe up rinse agent spills immediately.
Stained tub interior	Detergent with colorant was used	Make sure that the detergent is the one without colorant.
Dishes and flatware not clean	Improper program Improper basket loading	Select a stronger programme. Make sure that the action of the detergent dispenser and spray arms are not blocked by large dishware.
Spots and filming on glasses and flatware	<ol style="list-style-type: none"> 1. Extremely hard water 2. Low inlet temperature 3. Overloading the dishwasher 4. Improper loading 5. Old or damp powder detergent 6. Empty rinse agent dispenser 7. Incorrect dosage of detergent 	<p>To remove spots from glassware:</p> <ol style="list-style-type: none"> 1. Take out all metal utensils out of the dishwasher. 2. Do not add detergent. 3. Choose the longest cycle. 4. Start the dishwasher and allow it to run for about 18 to 22 minutes, then it will be in the main wash. 5. Open the door to pour 2 cups of white vinegar into the bottom of the dishwasher. 6. Close the door and let the dishwasher complete the cycle. If the vinegar does not work: Repeat as above, except use 1/4 cup (60 ml) of citric acid crystals instead of vinegar.

Cloudiness on glassware	Combination of soft water and too much detergent	Use less detergent if you have soft water and select a shortest cycle to wash the glassware and to get them clean.
Yellow or brown film on inside surfaces	Tea or coffee stains	Using a solution of 1/2 cup of bleach and 3 cups of warm water to remove the stains by hand. WARNING You have to wait for 20 minutes after a cycle to let the heating elements cool down before cleaning interior; otherwise, burns will happen.
	Iron deposits in water can cause an overall film	You have to call a water softener company for a special filter.
White film on inside surface	Hard water minerals	To clean the interior; use a damp sponge with dishwasher detergent and wear rubber gloves. Never use any other cleaner than dishwasher detergent for the risk of foaming or suds.
The Detergent dispenser lid cannot be closed properly	Clogged detergent re -sidue is blocking the catch	Clean the detergent from the catch.
Detergent left in dispenser cups	Dishes block detergent Cups	Re-loading the dishes properly.
Steam	Normal phenomenon	There is some steam coming through the vent by the door latch during drying and water draining.
Black or gray marks on dishes	Aluminum utensils have rubbed against dishes	Use a mild abrasive cleaner to eliminate those marks.
Water standing on the bottom of the tub	This is normal	A small amount of clean water around the outlet on the tub bottom keeps the water seal lubricated.
Dishwasher leaks	Overfill dispenser or rinse aid spills	Be careful not to overfill the rinse aid dispenser. Spilled rinse aid could cause oversudsing and lead to overflowing. Wipe away any spills with a damp cloth.
	Dishwasher isn't level	Make sure the dishwasher is level.

Dishwasher

Technical Data Sheet

Sheet of household dishwasher according to EU Directive 1059/2010:

Manufacture	KUPPERSBERG
Model	GS 4533
Standard place settings	11
Energy efficiency class ¹	A ++
Annual energy consumption ²	225 kWh
Energy consumption of the standard cleaning cycle	0.782 kWh
Power consumption of off-mode	0.35 W
Power consumption of left-on mode	0.8 W
Annual water consumption ³	2520 liter
Drying efficiency class ⁴	A
Standard cleaning cycle ⁵	Eco
Program duration of the standard cleaning cycle	238 min
Noise level	49 dB(A) re 1 pW
Mounting	Fully-built in
Could be built-in	Yes
Height	81,5 cm
Width	44.8 cm
Depth (with connectors)	55.8cm
Power consumption	1850 W
Rated voltage / frequency	AC 220-240 V/ 50 Hz
Water pressure (flow pressure)	0.4-10bar=0.04-1 .OMPa
Water temperature	Max.62°C

NOTE:

1. A+++ (highest efficiency) to D(lowest efficiency).
2. Energy consumption «225» kWh per year, based on 280 standard cleaning cycles using cold water fill and the consumption of the low power modes. Actual energy consumption will depend on how the appliance is used.
3. Water consumption «2520» litres per year, based on 280 standard cleaning cycles. Actual water consumption will depend on how the appliance is used.
4. A (highest efficiency) to G (lowest efficiency).
5. This program is suitable for cleaning soiled normally soiled tableware and that it is the most efficient program in terms of its combined energy and water consumption for that type of tableware.

The device meets the European standards and the directives in the current version at delivery.

-LVD 2014/35/EU

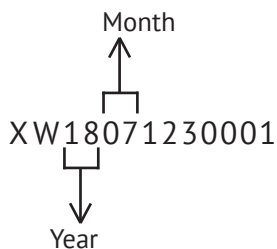
-EMC 2014/30/EU

-EUP 2010/1016

NOTE: The above values have been measured in accordance with standards under specified operating conditions. Results may vary greatly according to quantity and pollution of the dishes, water hardness, amount of detergent, etc.

The manual is based on the European Union's standards and rules.

DETERMINATION OF THE PRODUCTION DATE BY SERIAL NUMBER



Manufacturers:

Zhongshan Galanz Consumer Electric Appliances Co.,Ltd., China

Importer:

LLC «MG Rusland», 141400
Moscow region, Khimki, Butakovo, 4



СОДЕРЖАНИЕ

1) ИНФОРМАЦИЯ ПО ТЕХНИКЕ БЕЗОПАСНОСТИ.....	29
2) УТИЛИЗАЦИЯ.....	32
3) УКАЗАНИЯ ПО ЭКСПЛУАТАЦИИ.....	33
ПАНЕЛЬ УПРАВЛЕНИЯ.....	33
КОНСТРУКТИВНЫЕ ОСОБЕННОСТИ ПОСУДОМОЕЧНОЙ МАШИНЫ.....	34
4) ПЕРЕД ПЕРВЫМ ИСПОЛЬЗОВАНИЕМ.....	34
НАСТРОЙКА УСТРОЙСТВА УМЯГЧЕНИЯ ВОДЫ.....	34
ЗАГРУЗКА СОЛИ В УСТРОЙСТВО УМЯГЧЕНИЯ ВОДЫ.....	35
ЗАПОЛНЕНИЕ ДОЗАТОРА ОПОЛАСКИВАТЕЛЯ.....	37
ТИПЫ И НАЗНАЧЕНИЕ МОЮЩИХ СРЕДСТВ.....	39
5) ЗАГРУЗКА ПОСУДЫ В КОРЗИНЫ ПОСУДОМОЕЧНОЙ МАШИНЫ.....	42
6) ЗАПУСК ПРОГРАММЫ МЫТЬЯ ПОСУДЫ.....	48
ТАБЛИЦА С ОПИСАНИЕМ ПРОГРАММ ДЛЯ МЫТЬЯ ПОСУДЫ.....	48
ВКЛЮЧЕНИЕ ПРИБОРА.....	49
ИЗМЕНЕНИЕ ПРОГРАММЫ.....	49
ДОБАВЛЕНИЕ ДОПОЛНИТЕЛЬНОЙ ПОСУДЫ.....	50
7) ТЕХНИЧЕСКОЕ ОБСЛУЖИВАНИЕ И ЧИСТКА.....	50
8) РЕКОМЕНДАЦИИ ПО ПОИСКУ УСТРАНЕНИЮ НЕИСПРАВНОСТЕЙ.....	54
КОДЫ НЕИСПРАВНОСТЕЙ/СБОЕВ.....	54
ПЕРЕД ОБРАЩЕНИЕМ В СЕРВИСНЫЙ ЦЕНТР.....	55
ТЕХНИЧЕСКИЕ ДАННЫЕ.....	58



ВНИМАТЕЛЬНО ИЗУЧИТЕ ДАННОЕ РУКОВОДСТВО

Уважаемый покупатель!

Пожалуйста, внимательно прочитайте приведенную в данном руководстве информацию, сохраните его и обращайтесь к нему по мере возникновения у вас вопросов.

В случае продажи оборудования данное руководство также должно быть передано новому владельцу оборудования.

В данном руководстве содержатся следующие разделы: указания по технике безопасности, эксплуатации, установке, поиску и устранению неисправностей и другие.

Приведенную здесь информацию следует внимательно изучить до начала использования посудомоечной машины, что позволит обеспечить правильное ее использование и поддержание в технически исправном состоянии.



ПЕРЕД ОБРАЩЕНИЕМ В СЕРВИСНЫЙ ЦЕНТР

Ознакомьтесь с разделом «Рекомендации по поиску устранению неисправностей». Приведенная в нем информация позволит вам самостоятельно устранить некоторые наиболее распространенные неполадки без обращения к помощи квалифицированным техническим специалистам.



ПРИМЕЧАНИЕ.

В связи с непрерывно проводимыми работами по разработке и усо-

вершенствованию своей продукции компания-изготовитель оставляет за собой право вносить в нее любые изменения без предварительного уведомления об этом.



1. ИНФОРМАЦИЯ ПО ТЕХНИКЕ БЕЗОПАСНОСТИ

ПРЕДУПРЕЖДЕНИЕ!

При использовании посудомоечной машины соблюдайте указанные ниже основные меры предосторожности:

ПРЕДУПРЕЖДЕНИЕ! ВОДОРОД ЯВЛЯЕТСЯ ВЗРЫВООПАСНЫМ ГАЗОМ!

При определенных условиях в системах горячего водоснабжения, которые не использовались более двух недель, может образовываться газообразный водород. **ВОДОРОД ЯВЛЯЕТСЯ ВЗРЫВООПАСНЫМ ГАЗОМ!** Если система горячего водоснабжения не использовалась в течение указанного выше времени, то прежде чем включать посудомоечную машину следует открыть все краны подачи горячей воды на несколько минут. Данная мера позволит удалить из системы скопившийся газообразный водород. Этот газ является огнеопасным, поэтому при выполнении указанной выше процедуры не допускается курить и пользоваться источниками открытого пламени.

ПРЕДУПРЕЖДЕНИЕ! ПРАВИЛА БЕЗОПАСНОЙ ЭКСПЛУАТАЦИИ

➔ Бережно обращайтесь с дверцей посудомоечной машины и корзи-

Посудомоечные машины

ной для посуды, не садитесь и не становитесь на них.

⇒ Не дотрагивайтесь до нагревательных элементов во время или сразу же после использования посудомоечной машины.

⇒ Не включайте посудомоечную машину до тех пор, пока все защитные панели корпуса не будут установлены на место. Во время работы посудомоечной машины открывать дверцу следует с особой осторожностью, поскольку при этом существует опасность выплескивания горячей воды.

⇒ Не помещайте тяжелые предметы и не становитесь на открытую дверцу. Это может привести к опрокидыванию прибора.

⇒ Во время загрузки посуды:

⇒ Размещайте острые предметы таким образом, чтобы они не могли случайно повредить уплотнение дверцы.

⇒ Чтобы предотвратить порезы, острые ножи всегда помещайте ручкой вверх.

⇒ Предупреждение! Ножи и другие столовые приборы, имеющие острые края, следует размещать в корзину таким образом, чтобы эти острые части были направлены вниз, или укладывать в горизонтальном положении.

⇒ Во время использования посудомоечной машины не следует допускать прикосновения пластиковых предметов к нагревательным элементам.

⇒ После окончания цикла мытья посуды убедитесь в том, что приемный лоток для моющего средств полностью пустой.

⇒ Не допускается мыть в машине изделия из пластмассы, если на них отсутствует маркировка о пригодности для мытья в посудомоечной машине или аналогичная. При уходе за посудой из пластмассы, не имеющей подобной маркировки, следуйте рекомендациям компании-изготовителя.

⇒ Используйте только такие моющие средства и ополаскиватели, которые предназначены для применения в машинах для автоматического мытья посуды. Запрещается использовать в посудомоечной машине мыло, стиральные порошки, а также средства для ручного мытья посуды.

⇒ Внешняя аппаратура, предназначенная для отключения прибора от сети питания, должна быть встроена в стационарную электроустановку, при этом расстояние между контактами должно составлять не менее 3 мм для всех полюсов.

⇒ Храните моющие средства и ополаскиватели в недоступном для детей месте, не подпускайте детей к посудомоечной машине, если открыта ее дверца, поскольку внутри может еще оставаться моющее средство.

⇒ Выполняйте все требования инструкций, предоставленных вам компанией-изготовителем или ее официальным поставщиком.

⇒ С целью предотвращения поражения электрическим током не опу-

скайте данный прибор, его шнур или розетку в воду или другую жидкость.

⇒ Данный прибор может использоваться детьми в возрасте 8 лет и старше, а также лицами с ограниченными физическими, сенсорными или умственными способностями или отсутствием опыта и знаний, если они находятся под присмотром или были проинструктированы по вопросам безопасного использования прибора, а также если им понятны существующие опасности. Не разрешайте детям играть с прибором. Чистку и обслуживание разрешается выполнять детям только под присмотром.

⇒ Все средства используемые для мытья посуды, обладают сильными щелочными свойствами и поэтому представляют особую опасность в случае их проглатывания. Не допускайте попадания этих средств в глаза или на кожу и не разрешайте детям подходить к посудомоечной машине, у которой открыта дверца.

⇒ Не оставляйте дверцу надолго в открытом положении, поскольку это может приводить к опасности опрокидывания прибора.

⇒ В случае повреждения кабель питания должен быть заменен специалистом компании-изготовителя, ее официального сервисного центра или другим техническим лицом, обладающим соответствующей квалификацией. Это позволит избежать возникновения опасных ситуаций.

⇒ Упаковочные материалы должны быть утилизированы в соответ-

ствии с действующими нормами и правилами.

⇒ В процессе установки прибора не допускается чрезмерно перегибать или сдавливать кабель питания.

⇒ Не допускается также разбирать элементы управления.

⇒ Для подключения прибора к водопроводной сети следует использовать только новые комплекты шлангов. Повторное применение шлангов не допускается.

⇒ Следите за тем, чтобы ковровые покрытия не перекрывали отверстия в нижней части основания.

⇒ Используйте посудомоечную машину только по назначению.

⇒ Посудомоечная машина предназначена для эксплуатации только внутри помещения.

⇒ Посудомоечная машина не предназначена для применения в коммерческих целях. Данный прибор предназначен для бытового и аналогичного применения, например, для обслуживания нужд рабочих предприятия, сотрудников офиса, лиц, проживающих в учреждениях временного размещения граждан, и т.д.

⇒ Не перегружайте посудомоечную машину. Она рассчитана на мытье не более 11 комплектов стандартной столовой посуды. Не загружайте внутрь посуду, которая не предназначена для мытья в посудомоечных машинах. Выполнение этих правил позволит обеспечить оптимальный результат и снизить потребление электроэнергии.

**ВНИМАТЕЛЬНО ПРОЧИТАЙТЕ
ВСЕ ИНСТРУКЦИИ И СТРОГО
СЛЕДУЙТЕ УКАЗАНИЯМ ПО
ТЕХНИКЕ БЕЗОПАСНОСТИ.**

**СОХРАНИТЕ ДАННОЕ
РУКОВОДСТВО И
ИСПОЛЬЗУЙТЕ ЕГО В
КАЧЕСТВЕ СПРАВОЧНОГО
ПОСОБИЯ.**



2. УТИЛИЗАЦИЯ

Утилизируйте упаковочные материалы посудомоечной машины в соответствии с действующими нормами и правилами.

Все применяемые упаковочные материалы допускают переработку. На пластиковые детали нанесены стандартные международные обозначения:

(например, PS для полистирола, используемого в качестве упаковочного наполнителя).



На данный прибор нанесена маркировка в соответствии с европейской директивой 2002/96/ЕС по утилизации отходов электрического и электронного оборудования. В данной директиве устанавливаются основные требования, действующие в отноше-

нии возврата и повторного использования отработавшей срок службы техники на территории стран-членов ЕС.



ПРЕДУПРЕЖДЕНИЕ!

Упаковочный материал может представлять опасность для детей!

По вопросам утилизации упаковки и прибора следует обращаться в специализированный центр по переработке отходов. Кроме того, у отслужившего срок службы прибора необходимо обязательно обрезать кабель питания и вывести из строя (разрушить) механизм запираания дверцы.

Картонная упаковка производится из переработанной бумаги и должна передаваться в места сбора отходов бумаги для дальнейшей переработки.

Помогая утилизировать прибор в соответствии с нормами и правилами, вы способствуете предотвращению загрязнения окружающей среды отходами и последующего отрицательного воздействия на здоровье человека.

За дополнительной информацией по переработке данного изделия обращайтесь в местные муниципальные органы власти или в местную службу утилизации бытовых отходов.

ВНИМАНИЕ!

Внимательно прочитайте все инструкции по эксплуатации до начала работы с посудомоечной машиной, это позволит вам обеспечить максимальную эффективность при использовании данного прибора.



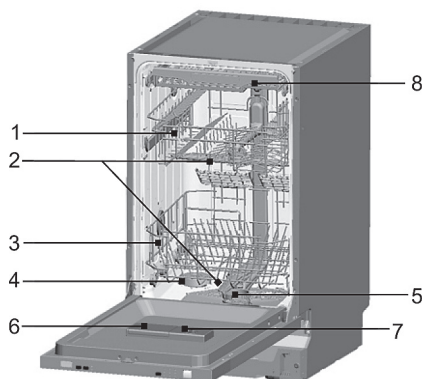
3. УКАЗАНИЯ ПО ЭКСПЛУАТАЦИИ

Панель управления



1. Цифровой дисплей: отображает время, оставшееся до окончания рабочего цикла, коды неисправностей и время отсрочки пуска.
2. Кнопка отсрочки пуска (Delay): функция отсрочки пуска (START DELAY) позволяет автоматически отложить время запуска любого цикла на время до 24 часов.
3. Кнопка выбора функции (Alt): нажатие этой кнопки позволяет выбрать дополнительную функцию «3 в 1», мытье посуды на верхнем уровне или мытье посуды на нижнем уровне, при этом начинает мигать соответствующий индикатор.
4. Индикатор контроля уровня соли: индикатор загорается, если необходимо добавить соль в устройство умягчения воды.
5. Кнопка выбора программы (Program) / кнопка выбора функции «защита от доступа детей»: для выбора программы необходимо нажать кнопку. Для активации функции «защита от доступа детей» необходимо нажать эту кнопку и удерживать ее в течение 3 секунд, при этом на дисплее 6 раз в мигающем режиме будут выведены символы «LO».
6. Индикатор функции «3 в 1»: индикатор загорается при выборе дополнительной функции.
7. Индикатор программы: при выборе программы мытья подсвечивается соответствующий сегмент индикатора.
8. Выключатель питания: обеспечивает включение и отключение подачи питания.
9. Индикатор мытья посуды на верхнем уровне: горит, если осуществляется процесс мытья с помощью верхнего распылительного коромысла.
10. Индикатор мытья посуды на нижнем уровне: горит, если осуществляется процесс мытья с помощью нижнего распылительного коромысла.
11. Индикатор контроля уровня ополаскивателя: индикатор загорается, если необходимо заполнение контейнера для ополаскивателя.

Конструктивные особенности посудомоечной машины



Вид спереди

- 1 Верхняя корзина
- 2 Распылительные коромысла
- 3 Нижняя корзина
- 4 Устройство умягчения воды
- 5 Фильтры
- 6 Дозатор моющего средства
- 7 Дозатор ополаскивателя
- 8 Лоток для столовых приборов



4. ПЕРЕД ПЕРВЫМ ИСПОЛЬЗОВАНИЕМ

Перед первым использованием посудомоечной машины необходимо:

- A. Настроить устройство умягчения воды
- B. Загрузить соль в устройство умягчения воды
- C. Заполнить дозатор ополаскивателя
- D. Загрузить моющее средство

A. Настройка устройства умягчения воды

Устройство умягчения воды предназначено для удаления из воды минералов и солей, наличие которых может приводить к ухудшению эффективности работы прибора и его повреждению. Чем выше содержание этих минералов и солей, тем более жесткой является вода. Устройство умягчения необходимо отрегулировать в зависимости от жесткости воды в месте эксплуатации. Получить информацию о жесткости воды в вашем регионе вы можете, обратившись в местную водоснабжающую организацию.

Порядок настройки

Количество дозируемой соли может быть настроено в диапазоне от Н0 до Н7.

При выборе значения Н0 добавление соли не требуется.

1. Получить информацию о величине жесткости используемой водопроводной воды. Обратиться по этому вопросу вы можете в местную водоснабжающую организацию.

2. Значение, которое необходимо задать при настройке, может быть определено по таблице с данными соответствия жесткости воды.

3. Закрыть дверцу.

4. Нажать на кнопку включения/отключения питания.

5. Удерживая в нажатом состоянии кнопку отсрочки пуска (Delay), нажать кнопку выбора программы (Program) и не отпускать в течение 5 секунд. После того как будет выдан

один раз звуковой сигнал, на цифровом дисплее начнет мигать символ Н... (заводская настройка – Н4).

Чтобы изменить заданное значение, необходимо:

1. Нажать кнопку отсрочки пуска (Delay).

При каждом нажатии кнопки заданное значение увеличивается на один уровень, а после достижения значения Н7 на дисплее снова выводится Н0 (подача соли отключена).

2. Нажать кнопку выбора программы (Program). Выбранное значение теперь сохранено в памяти.


Для получения информации о жесткости используемой вами водопроводной воды обратитесь в местную водоснабжающую организацию.

Таблица с данными соответствия жесткости воды

Жесткость воды		ммоль/л	Задаваемое на машине значение
Англ. градусы (Clark)	Тип жесткости		
0–8	мягкая	0–1,1	Н0
9–10	мягкая	1,2–1,4	Н1
11–12	средняя	1,5–1,8	Н2
13–15	средняя	1,9–2,1	Н3
16–20	средняя	2,2–2,9	Н4
21–26	жесткая	3,0–3,7	Н5
27–38	жесткая	3,8–5,4	Н6
39–62	жесткая	5,5–8,9	Н7

В. Загрузка соли в устройство умягчения воды

Допускается использовать только специальную соль, предназначенную для посудомоечных машин.

 **ПРИМЕЧАНИЕ.** Если ваша модель не оснащена устройством умягчения воды, то этот раздел вы можете пропустить.

УСТРОЙСТВО УМЯГЧЕНИЯ ВОДЫ

Жесткость воды определяется конкретным местом эксплуатации. В случае использования в посудомоечной машине жесткой воды на посуде и столовых приборах будут образовываться отложения.

Прибор оснащен специальным устройством умягчения воды, которое обеспечивает удаление извести и минералов из воды с помощью специально предназначенной для этой цели соли.

Контейнер для соли располагается под нижней корзиной. Его заполнение производится указанным ниже образом:

Внимание!

Разрешается применять только специальную соль, предназначенную для использования в посудомоечных машинах! Применение любой другой соли, не предназначенной для использования в посудомоечной машине, в частности столовой соли, может приводить к повреждению устройства умягчения воды. В отношении повреждений, вызванных использованием неподходящего вида соли, компания-из-

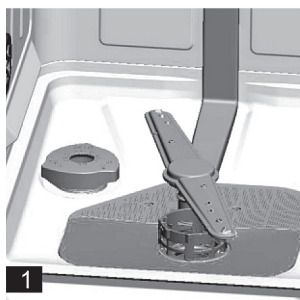
Посудомоечные машины

готовитель не предоставляет никакой гарантии и не несет ответственности за любые последствия таких действий.

Соль необходимо засыпать только непосредственно перед запуском одной из полных программ мытья.

Это позволит удалить со дна машины случайно просыпавшуюся соль или пролившуюся соленую воду и таким образом предотвратить коррозию, возникающую при длительном воздействии соли на дно машины.

После завершения первого цикла мытья горящие на панели управления индикаторы гаснут.



А. Извлеките нижнюю корзину, а затем открутите и снимите крышку с контейнера для соли. **1.**

В. Если вы заполняете контейнер в первый раз, залейте его водой на 2/3 объема (примерно 500 мл). **2.**

С. Вставьте конец воронки (входит в комплект поставки) в отверстие и засыпьте примерно 1,2 кг соли для посудомоечной машины. Небольшое количество воды может вылиться обратно из контейнера для соли. Это нормальное явление.

Д. Установите на место крышку и аккуратно закрутите ее.

Е. Как правило, сигнальный индикатор контроля уровня соли гаснет через 2–6 дней после заполнения контейнера солью.

ПРИМЕЧАНИЯ:

1. После того как на панели управления загорится сигнальный индикатор контроля уровня соли, следует произвести дозаправку соли. Сигнальный индикатор контроля уровня соли может продолжать гореть даже при заполненном контейнере до тех пор, пока соль не растворится полностью. Если на панели управления отсутствует сигнальный индикатор контроля уровня соли (в некоторых моделях), то вы можете примерно рассчитать дату следующей заправки соли в устройство умягчения воды на основании количества циклов мытья, выполненных посудомоечной машиной (см. схему ниже).

2. Просыпавшуюся соль следует удалить, запустив программу замачивания.

С. Заполнение дозатора ополаскивателя

Назначение ополаскивателя

Ополаскиватель автоматически подается во время последнего цикла ополаскивания, обеспечивая более качественную очистку посуды и высушивание ее без образования пятен и подтеков.

Внимание!

Используйте только средства для ополаскивания известных марок, предназначенные для посудомоечных машин. Запрещается заливать в дозатор ополаскивателя другие жидкости (например, средство для чистки посудомоечной машины или жидкое моющее средство). Это может привести к повреждению прибора.

Когда необходимо заправлять дозатор ополаскивателя

Если на контрольной панели отсутствует сигнальный индикатор уровня ополаскивателя, то оценить объем ополаскивателя вы можете по цвету оптического указателя уровня D, расположенного рядом с крышкой. Если контейнер заполнен ополаскивателем до максимального уровня, то указатель будет полностью темным. По мере расхода ополаскивателя размер темного круга будет уменьшаться. Не следует допускать снижения уровня ополаскивателя до объема менее 1/4 контейнера.

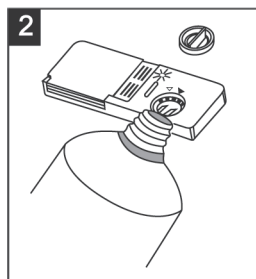
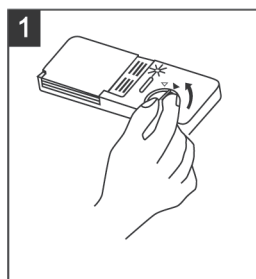
По мере расхода ополаскивателя размер темного круга на указателе

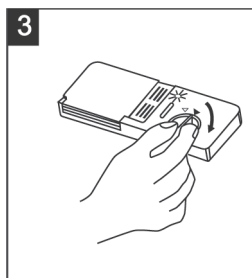
уровня ополаскивателя изменяется, как показано на рисунках ниже.

- Полностью заполнен
- Заполнен на 3/4
- Заполнен на 1/2
- Заполнен на 1/4 – следует произвести заправку во избежание образования пятен
- Пустой



ДОЗАТОР ОПОЛАСКИВАТЕЛЯ





1 Открыть дозатор. Для этого необходимо повернуть крышку в положение «открыто / open» (против часовой стрелки) и затем снять ее.

2 Аккуратно, не допуская переполнения, залить в дозатор ополаскиватель.

3 Установить крышку на место, поместив ее сначала так, чтобы стрелка указывала на положение «открыто / open», а затем повернуть так, чтобы стрелка указывала на положение «закрыто / closed» (по часовой стрелке)

Ополаскиватель подается на этапе окончательного ополаскивания и служит для предотвращения образования капель, которые могут приводить к появлению пятен и подтеков на посуде. Кроме того, он также способствует улучшению качества сушки, позволяя воде стекать с поверхности посуды. Приобретенная вами посудомоечная машина рассчитана на применение жидких ополаскивателей. Дозатор ополаскивателя располагается внутри дверцы рядом с дозатором моющего средства.

Для заправки дозатора следует открыть крышку и затем вливать в отвер-

стие ополаскиватель до тех пор, пока указатель уровня не станет полностью черным. Объем контейнера для ополаскивателя составляет примерно 140 мл.

Не допускайте переполнения дозатора, поскольку это может приводить к излишнему пенообразованию. Перелившийся через край ополаскиватель следует собрать влажной тканью. Перед закрытием дверцы посудомоечной машины следует обязательно установить на место крышку дозатора.

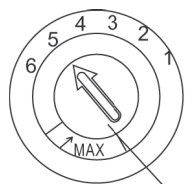
Внимание!

Чтобы предотвратить излишнее пенообразование во время последующего мытья посуды, следует обязательно собирать разлившийся в процессе заправки дозатора ополаскиватель, используя для этой цели тканевую салфетку из впитывающего материала.

Настройка дозатора ополаскивателя

Дозатор ополаскивания обеспечивает четыре или шесть вариантов настройки. Всегда следует начинать с установки дозатора в положение «4». Если в этом случае на посуде остаются пятна и не обеспечивается достаточное качество ее сушки, то следует увеличить количество дозируемого ополаскивателя, сняв крышку дозатора и переставив переключатель в положение «5». Если надлежащее качество сушки посуды по-прежнему не обеспечивается или на посуде остаются пятна, следует переставить переключатель в следующее положение. При

необходимости указанную процедуру следует повторить до тех пор, пока на посуде не перестанут образовываться пятна. Заводская настройка дозирования — положение «5».



Регулятор дозировки (ополаскивателя)

ПРИМЕЧАНИЯ:

Если после мытья посуды на ней остаются капли воды или следы извести, дозировку следует увеличить.

Если же на посуде остаются липкие белесые подтеки, а на стеклянной посуде и лезвиях ножей — голубоватая пленка, дозировку следует уменьшить.

D. Типы и назначение моющих средств

Благодаря своему химическому составу моющие средства используются для очищения посуды от загрязняющих веществ, размельчения (растворения) и удаления их из посудомоечной машины. С этой целью может применяться большинство доступных в продаже качественных моющих средств.

Концентрированные моющие средства

По химическому составу средства для мытья посуды разделяются на два основных типа:

⇒ обычные щелочные моющие средства, содержащие едкие компоненты,

⇒ слабощелочные концентрированные моющие средства с природными энзимами.

Использование программы мытья «Эко» в сочетании с концентрированными моющими средствами снижает объем загрязняющих отходов и благоприятно влияет на посуду; в этой программе мытья используется исключительная способность энзимов, содержащихся в концентрированных моющих средствах, растворять загрязнения. Использование концентрированных моющих средств в программе мытья «Эко» по результатам сопоставимо с эффектом, обеспечиваемым программами интенсивного мытья.

Моющие средства в таблетках

Таблетированные моющие средства различаются скоростью растворения (зависит от конкретной марки).

Поэтому при использовании коротких программ мытья некоторые моющие средства в таблетках не могут полностью раствориться и обеспечить максимальный моющий эффект. Таким образом, таблетированные моющие средства следует применять в достаточно длинных программах мытья, что позволит гарантировать полное удаление остатков моющего средства с поверхности посуды.

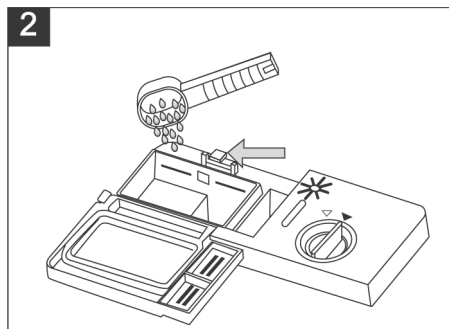
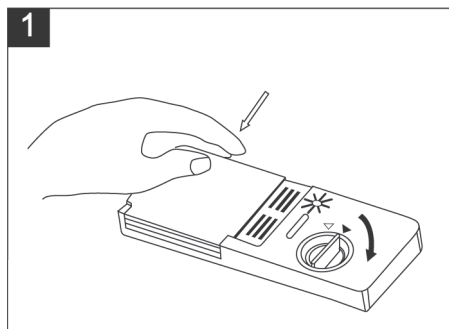
Дозатор моющего средства

Дозатор следует заправлять перед каждым запуском цикла мытья, руководствуясь при этом указаниями, приведенным в таблице с описанием программ для мытья посуды. В процессе работы приобретенная вами посудомоечная машина расходует меньше моющего средства и ополаскивателя

Посудомоечные машины

по сравнению с посудомоечными машинами стандартной конструкции. Как правило, при нормальном уровне загрязнения необходима всего одна столовая ложка моющего средства. При мытье сильно загрязненной посуды может потребоваться больше моющего средства. Добавлять моющее средство в посудомоечную машину всегда следует непосредственно перед запуском, иначе оно может намочить и не раствориться надлежащим образом.

Количество используемого моющего средства



ПРИМЕЧАНИЯ:

- 1 Если крышка закрыта, нажмите кнопку фиксатора. Пружинный зажим разожмется и крышка откроется.
- 2 Моющее средство следует добавлять непосредственно перед запуском цикла мытья. Используйте моющие средства только известных марок, предназначенные для посудомоечных машин.

ПРЕДУПРЕЖДЕНИЕ!

Моющие средства для посудомоечной машины являются агрессивными веществами. Для их хранения следует использовать недоступные для детей места.

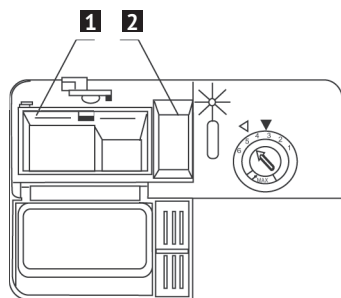
Всегда используйте только специальные моющие средства, предназначенные для посудомоечных машин. Храните моющие средства в чистом сухом месте. Не засыпайте порошковое моющее средство в посудомоечную машину заранее. Добавляйте его только непосредственно перед запуском программы мытья.

Загрузка моющего средства

Добавьте моющее средство в дозатор моющего средства.

Уровни дозировки указаны отметками, как показано на рисунке справа:

- 1 Место загрузки моющего средства для основного цикла мытья, отметка «МИН / MIN» соответствует количеству моющего средства примерно 20 г.
- 2 Место загрузки моющего средства для предварительного цикла мытья, вместимость отсека составляет примерно 5 г.



Соблюдайте рекомендации компании-изготовителя по дозировке и условиям хранения, указанные на упаковке моющего средства.

Закройте крышку и нажмите на нее, зафиксировав ее на месте.

Если посуда сильно загрязнена, добавьте дополнительное количество моющего средства в отсек моющего средства для предварительного мытья. Это моющее средство будет использовано в цикле предварительного мытья.

ПРИМЕЧАНИЯ:

Информация о количестве моющего средства, используемого каждой программой, приведена в таблице в разделе 6. При этом необходимо учитывать, что возможны отклонения от указанных данных в зависимости от уровня загрязнения и величины жесткости воды. Соблюдайте инструкции компании-изготовителя, приведенные на упаковке с моющим средством.

Виды моющих средств

Имеются моющие средства трех видов:

1. Содержащие фосфаты и хлор

2. Содержащие фосфаты, но не содержащие хлора

3. Не содержащие фосфатов и хлора

Как правило, все выпускаемые новые порошковые моющие средства не содержат фосфатов. Таким образом, способность фосфатов смягчать воду не используется. В таком случае мы рекомендуем добавлять соль в контейнер, даже если жесткость воды составляет всего 6 dH. При использовании не содержащих фосфатов моющих средств в условиях мытья в жесткой воде на посуде и стеклянных стаканах могут появляться белые пятна. В этом случае для улучшения качества мытья следует использовать больше моющего средства. Не содержащие хлора моющие средства обладают лишь ограниченным отбеливающим действием. Поэтому застарелые, а также цветные пятна полностью удаляться с посуды не будут. В таких случаях следует использовать программу с более высокой температурой.

Использование таблетированных моющих средств «3 в 1»

Общие рекомендации

1. Перед применением этих средств необходимо сначала проверить, что для них подходит жесткость используемой вами водопроводной воды. Данная информация указывается компанией-изготовителем на упаковке моющего средства.

Посудомоечные машины

2. Эти средства следует использовать строго в соответствии с указаниями компании-изготовителя.

3. Если у вас возникают какие-либо затруднения при первом использовании этих средств, свяжитесь с представителем службы поддержки (соответствующие телефоны компании-изготовителя, как правило, указывают на упаковке моющего средства).

Эти продукты являются средствами, которые обеспечивают совместное комбинированное действие в качестве моющего средства / ополаскивателя и соли для умягчения воды. Перед применением этих средств необходимо сначала проверить, что для них подходит жесткость используемой вами водопроводной воды. Данная информация указывается компанией-изготовителем на упаковке моющего средства.

Особые рекомендации

В случае применения комбинированных средств индикаторы контроля уровня ополаскивателя и соли не используются. По этой причине может быть полезно выбрать минимально возможную настройку для жесткости воды.

Порядок выбора функции «3 в 1»:

1. Нажмите кнопку включения/отключения питания и выберите цикл мытья «3 в 1», нажимая кнопку выбора функции «Alt» до тех пор, пока не начнет мигать индикатор «3 в 1».

2. Цикл мытья «3 в 1» будет доступен после того, как будет нажата кноп-

ка «пуск/пауза» и загорится индикатор «3 в 1».

Порядок отмены функции «3 в 1»:

1. Следуйте инструкциям, приведенным в разделе «Отмена выполняемой программы». Если вы решите перейти на использование стандартной схемы мытья, рекомендуем вам: 1. Загрузите соль и ополаскиватель в соответствующие отделения.

2. Выберите максимально возможную настройку для жесткости воды и выполните три обычных цикла без загрузки посуды.

3. Скорректируйте настройку жесткости воды в соответствии с качеством воды в вашем регионе (дополнительную информацию см. в руководстве по эксплуатации).

Примечание: цикл мытья «3 в 1» является дополнительной функцией, которая должна использоваться совместно с другой программой («Интенсивное мытье», «Эко» и «Деликатное мытье»).



5. ЗАГРУЗКА ПОСУДЫ В КОРЗИНЫ ПОСУДОМОЕЧНОЙ МАШИНЫ

Для обеспечения оптимальной работы посудомоечной машины в процессе загрузки в нее посуды следуйте приведенным ниже рекомендациям. Конструктивные особенности и характеристики корзин для посуды и лотков для столовых приборов могут отличаться в зависимости от модели.

Требования, которые необходимо выполнять до или после загрузки посуды в корзины посудомоечной машины

Удалить с посуды крупные остатки пищи. Споласкивать посуду под проточной водой необязательно. Загрузите посуду в посудомоечную машину указанным ниже образом:

1. Чашки, стаканы, кастрюли/сковороды и другая подобная посуда загружается вверх дном.
2. Выпуклая и вогнутая посуда должна располагаться под наклоном, так чтобы с нее могла стекать вода.
3. Вся посуда должна стоять устойчиво, так чтобы предотвращалось ее опрокидывание.
4. Вся посуда должна располагаться таким образом, чтобы не создавались препятствия вращению распылительных коромысел во время мытья.

В посудомоечной машине запрещено мыть очень мелкие предметы, которые могут легко проваливаться сквозь прутья корзин.

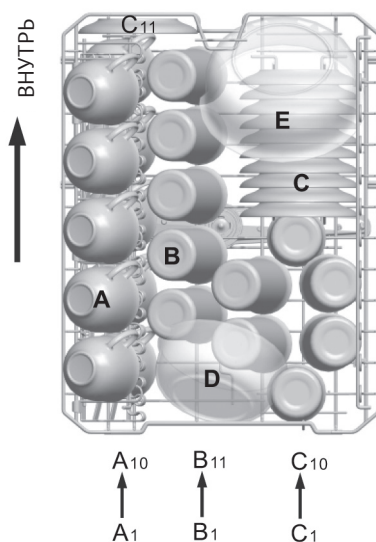
Извлечение посуды

С целью предотвращения попадания капель воды с посуды в верхней корзине на посуду, расположенную в нижней корзине, рекомендуется сначала выгружать посуду из нижней корзины, а только затем из верхней.

Загрузка посуды в верхнюю корзину

Верхняя корзина предназначена для размещения более легкой и требующей бережного обращения посуды, например: стаканов, кофейных и чайных чашек и блюдец, а также тарелок, небольших мисок и неглубоких сковород (если они не очень загрязнены). Расположите посуду и кухонную утварь таким образом, чтобы она не смещалась под действием струи воды.

Верхняя корзина

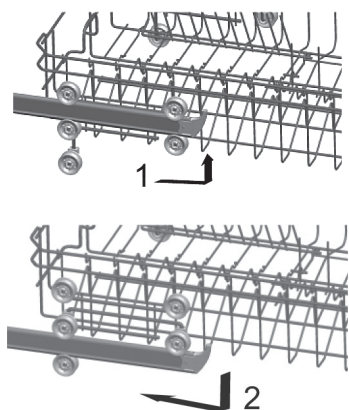


Верхняя корзина	
Тип	Что можно разместить
A	Чашки
B	Стаканы
C	Блюдца
D	Миски
E	Миски

Посудомоечные машины

Регулировка верхней корзины

При необходимости высота верхней корзины может быть отрегулирована с целью освобождения дополнительного пространства для размещения крупной посуды в верхнюю или нижнюю корзину. Высота верхней корзины регулируется путем установки роликов на различные уровни. Длинные предметы, сервировочные столовые приборы, приборы для салата и ножи следует размещать на полке таким образом, чтобы они не препятствовали вращению распылительных коромысел. Полка может быть сложена или извлечена, если в ней нет необходимости.



Загрузка посуды в нижнюю корзину

В нижнюю корзину рекомендуется загружать крупные предметы, которые сложнее поддаются мытью: кастрюли, сковороды, крышки, сервировочные блюда и миски (см. рисунок ниже).

Чтобы предотвратить блокировку вращения верхнего распылительного

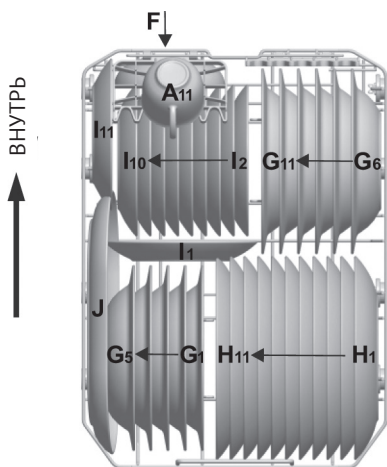
коромысла, желательно располагать сервировочные блюда и крышки по бокам корзины.

Кастрюли, сервировочные миски и и другую подобную посуду следует всегда размещать вверх дном.

Глубокие кастрюли должны располагаться под наклоном, так чтобы с них могла стекать вода.

В конструкции нижней корзины предусмотрен ряд складных штырей, что позволяет загрузить кастрюли и сковороды большего размера или освободить пространство для дополнительных кастрюль и сковород.

Нижняя корзина

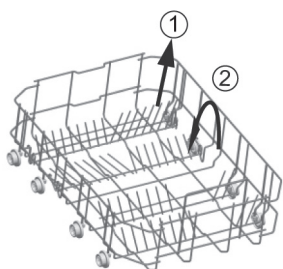


Нижняя корзина	
Тип	Что можно разместить
A	Чашки
F	Сервировочные миски
G	Глубокие тарелки
H	Мелкие тарелки
I	Десертные тарелки
J	Овальная тарелка

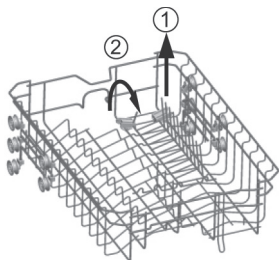
*** Верхняя и нижняя корзина со складными держателями**

Складные держатели, состоящие из двух частей и расположенные на нижней корзине машины, позволяют упростить размещение большой посуды, например, кастрюль, сковород и т.д. В случае необходимости каждая часть может складываться отдельно, либо для освобождения большего свободного пространства могут быть сложены обе части. Вы можете использовать складные держатели, поднимая их вверх или складывая вниз.

Нижняя корзина



Верхняя корзина



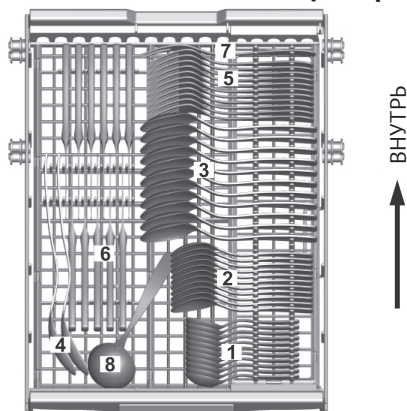
*** Дополнительное оснащение**

Лоток для столовых приборов

Столовые приборы следует размещать в лотке в соответствии со схемой, показанной на рисунке ниже. Столовые приборы должны быть рас-

положены таким образом, чтобы вода могла свободно стекать. Лоток для столовых приборов состоит из двух частей, каждая из которых допускает регулировку. Одна или обе части могут быть подняты вверх с целью освобождения дополнительного пространства для размещения в верхней корзине предметов посуды большого размера.

Лоток для столовых приборов



Сторона дверцы



Лоток для столовых приборов	
Тип	Что можно разместить
1	Чайные ложки
2	Десертные ложки
3	Столовые ложки
4	Сервировочные ложки
5	Вилки
6	Ножи
7	Сервировочная вилка
8	Ложка для соуса

Посудомоечные машины

Мытье перечисленных ниже столовых приборов и посуды в посудомоечной машине

не допускается

Столовые приборы с ручками из дерева, костяного фарфора или перламутра

Пластиковая нежаропрочная посуда

Старые столовые приборы со склеенными нетермостойкими частями

Столовые приборы или посуда с накладными элементами

Оловянная и медная посуда

Изделия из хрусталя

Стальная посуда, не стойкая к появлению ржавчины

Деревянные тарелки

Посуда из синтетического волокна

**ПРЕДУПРЕЖДЕНИЕ!**

Столовые предметы не должны выступать за пределы дна корзины.

Допускается с некоторыми ограничениями

Некоторые виды стекла могут тускнеть при частом мытье в машине

Предметы из серебра и алюминия имеют тенденцию терять цвет во время мытья

Глазурованные предметы могут потускнеть из-за частого мытья в машине

ПРИМЕЧАНИЕ: Не допускается загружать в посудомоечную машину посуду, загрязненную сигаретным пеплом, свечным воском, лаком или краской. При покупке новой посуды всегда проверяйте, допускает ли она мытье в посудомоечной машине.

ПРИМЕЧАНИЕ: Не перегружайте посудомоечную машину. Она рассчитана на мытье не более 11 комплектов стандартной столовой посуды. Не загружайте внутрь посуду, которая не предназначена для мытья в посудомоечных машинах. Выполнение этих правил позволит вам обеспечить оптимальный результат и снизить потребление электроэнергии.

Загрузка столовых приборов и посуды

Перед загрузкой посуды следует:

Очистить ее от крупных остатков пищи

Размягчить остатки пригоревшей к сковородам пищи

При загрузке посуды и столовых приборов необходимо принимать во внимание следующее:

Посуда и столовые приборы не должны препятствовать вращению распылительных коромысел.

Загружать полые предметы, например, чашки, стаканы, сковороды и другие следует отверстием вниз, так чтобы внутри них не скапливалась вода.

Посуда и столовые приборы не должны располагаться внутри другой посуды или приборов или закрывать друг друга.

➔ Во избежание повреждения стаканы не должны соприкасаться друг с другом.

⇒ Крупные предметы, которые сложнее поддаются мытью, следует загружать в нижнюю корзину.

⇒ Верхняя корзина предназначена для размещения более легкой и требующей бережного обращения посуды, например: стаканов, кофейных и чайных чашек.

Внимание!

Вертикальное размещение ножей с длинными лезвиями может привести к созданию опасных ситуаций.

Длинные и/или остроконечные столовые приборы, например, ножи для нарезки, следует укладывать в верхнюю корзину в горизонтальном положении.

Повреждение стаканов и другой посуды

Возможные причины:

⇒ Несовместимый тип стекла или технология изготовления. Недопустимый химический состав моющего средства.

⇒ Неправильно выбранная температура воды и длительность программы мытья.

Рекомендации по решению проблемы:

⇒ Выполняйте мытье в посудомоечной машине стеклянной или фарфоровой посуды только в том случае, если такой способ чистки разрешен компанией-изготовителем этих изделий.

⇒ Используйте мягкие моющие средства, предназначенные для данного вида посуды. При необходимости запросите дополнительную информацию у изготовителя моющего средства.

⇒ Используйте программы с низкой температурой.

⇒ Чтобы предотвратить повреждения, извлекайте стаканы и столовые приборы из посудомоечной машины как можно раньше после окончания программы мытья.

После окончания процесса мытья

После завершения рабочего цикла зуммер выдает 6 раз звуковой сигнал, затем производится останов посудомоечной машины. Отключите прибор, нажав кнопку включения/отключения питания, перекройте подачу воды и откройте дверцу посудомоечной машины. Перед выгрузкой посуды из посудомоечной машины следует подождать несколько минут, пока посуда или столовые приборы не остынут. Извлечение горячей посуды может приводить к ее повреждению. Остывание посуды также способствует более полному ее высыханию.

**6. ЗАПУСК ПРОГРАММЫ МЫТЬЯ**

Таблица с описанием программ для мытья посуды

Программа	Информация о назначении программы	Описание программы	Моющее средство для предварительного / основного мытья	Длительность (мин)	Расход энергии (кВт/ч)	Потребление воды (л)
 Интенсивное мытье	Для посуды со значительными загрязнениями, например, кастрюль, сковород, форм для запекания и посуды с присохшими остатками пищи.	Предварительное мытье Основное мытье (60 С) Ополаскивание 1 Ополаскивание 2 Ополаскивание горячей водой Сушка	5/22,5 (или «3 в 1»)	185	1,360	14,0
Eco (*EN 50242) (стандартная программа)	Для посуды с нормальным уровнем загрязнения, например, кастрюль, тарелок, стаканов и незначительно загрязненных сковород, стандартный цикл ежедневного ухода.	Предварительное мытье Основное мытье (44 С) Ополаскивание горячей водой Сушка	5/22,5 (или «3 в 1»)	238	0,782	9,0
 Деликатное мытье	Программа «Деликатное мытье» предназначена для ухода за посудой, чувствительной к воздействию высоких температур. (цикл следует запускать непосредственно после использования такой посуды)	Предварительное мытье Основное мытье (45 С) Ополаскивание Ополаскивание горячей водой Сушка	5/20 (или «3 в 1»)	143	0,730	11,5
 60 мин	Подходит для мытья тарелок и сковород с небольшим и нормальным уровнем загрязнения, для ежедневного ухода за посудой.	Предварительное мытье Основное мытье (50 С) Ополаскивание горячей водой Сушка	5/20	60	0,850	8,7
 Быстрое мытье	Короткий цикл мытья для посуды с небольшим уровнем загрязнения, которой не требуется сушка.	Основное мытье (45 С) Ополаскивание горячей водой	15	40	0,650	5,9
 Предварительное ополаскивание	Для ополаскивания посуды, мытье которой планируется выполнить позже в этот же день.	Предварительное мытье	/	12	0,010	3,3

* EN 50242: эта программа является циклом, который прошел тестирование

Информация для сравнительного тестирования в соответствии с EN 50242:

-- Загрузка: 11 комплектов посуды

-- Положение верхней корзины: нижнее положение

-- Настройка подачи ополаскивателя: 6 (или 4 для дозаторов с четырьмя настройками)

Включение прибора

Запуск цикла мытья

Выдвиньте нижнюю и верхнюю корзины, загрузите посуду и

1. Задвиньте корзины обратно. Рекомендуется сначала загрузить посуду в нижнюю корзину, а затем – в верхнюю (см. раздел «Загрузка посуды в корзины посудомоечной машины»). Добавьте моющее средство (см. раздел «Соль, моющее средство, и ополаскиватель»).

2. Вставьте вилку в розетку. Параметры сети электропитания: 220–240 В переменного тока, 50 Гц, технические параметры розетки: 12 А, 250 В переменного тока, 50 Гц.

Убедитесь в том, что кран подачи воды открыт и обеспечивается необходимое давление. Закройте дверцу, нажмите кнопку включения/отключения питания и затем кнопку выбора программы, чтобы выбрать требуемую программу мытья (см. раздел «Таблица с описанием программ для мытья посуды»). Для обеспечения необходимой герметичности закрывать дверцу необходимо с небольшим усилием.

ПРИМЕЧАНИЯ: При плотном закрывании дверцы раздастся характерный щелчок.

После окончания программы мытья необходимо отключить посудомоечную машину, нажав кнопку включения/отключения питания.

Изменение программы

Предварительное условие: Выполняемая программа мытья может быть

изменена только в том случае, если она была запущена совсем недавно. Иначе моющее средство уже может быть подано внутрь посудомоечной машины, и она уже могла выполнить слив воды основного цикла мытья. В таком случае следует заново запрограммировать дозатор моющего средства (см. раздел «Загрузка моющего средства»).

Нажмите кнопку «Вкл/Откл», чтобы отменить программу, затем включите прибор снова. После этого вы можете изменить и запустить необходимую программу мытья посуды (см. раздел «Запуск цикла мытья»).

ПРИМЕЧАНИЕ: При открытии дверцы в процессе мытья работа машины автоматически приостанавливается, выдается предупредительный звуковой сигнал и на дисплей выводится код E1. После закрытия дверцы машина через 10 секунд автоматически возобновит работу.

Состояние посудомоечной машины отображается с помощью 6 индикаторов контроля выполнения программ:

а) Если один из индикаторов контроля выполнения программ горит → цикл выполняется

б) Если один из индикаторов контроля выполнения программ мигает → цикл приостановлен (пауза)

ПРИМЕЧАНИЕ: Если начинают мерцать все индикаторы, это означает, что в машине возникла неисправность. В таком случае следует отключить машину от сети питания, перекрыть подачу воды и обратиться в сервисный центр.

Посудомоечные машины

Добавление дополнительной посуды

Дополнительная посуду может быть добавлена в любое время до тех пор, пока не откроется емкость с моющим средством.

1 Приоткройте дверцу, чтобы остановить процесс мытья.

2 После того, как распылительные коромысла остановятся, вы можете полностью открыть дверцу.

3 Добавьте внутрь дополнительную посуду.

4 Закройте дверцу, посудомоечная машина возобновит процесс мытья через 10 секунд.

**ПРЕДУПРЕЖДЕНИЕ!**

Открывать дверцу во время выполнения процесса мытья опасно, это может привести к ожогу горячей водой.

Отключение посудомоечной машины

На цифровой дисплей будет выведено «—», и зуммер выдает 6 раз звуковой сигнал, что будет свидетельствовать о том, что программа завершена.

1. Отключите посудомоечную машину, нажав кнопку включения/отключения питания.

2. Закройте водопроводный кран.

Осторожно откройте дверцу. При открытии дверцы может выходить горячий пар!

☞ Горячая посуда легко поддается повреждению. Поэтому прежде чем вынимать посуду из машины, оставьте ее остывать примерно на 15 минут.

☞ Откройте дверцу посудомоечной машины, оставьте ее приоткрытой

и подождите несколько минут, прежде чем вынимать посуду. Это позволит посуде остыть и более качественно высохнуть.

Выгрузка посуды из посудомоечной машины

Внутри посудомоечной машины имеется влага — это нормальное явление.

Сначала выгрузите посуду из нижней корзины, а затем из верхней. Это позволит избежать попадания капель с посуды в верхней корзине на посуду в нижней корзине.

**7. ТЕХНИЧЕСКОЕ ОБСЛУЖИВАНИЕ И ЧИСТКА****Система фильтрации**

Система фильтрации предотвращает попадание в насос крупных остатков пищи и других предметов. Такие остатки могут приводить к блокировке фильтра.

Система фильтрации состоит из фильтра грубой очистки, плоского (основного фильтра) и микрофильтра (фильтра тонкой очистки).

1 Плоский фильтр

Частицы пищи и загрязнения улавливаются специальным соплом нижнего распылительного коромысла.

2 Фильтр грубой очистки

Фильтр грубой очистки улавливает более крупные предметы, например, частицы костей и стекла, которые могут приводить к засорению сливного шланга.

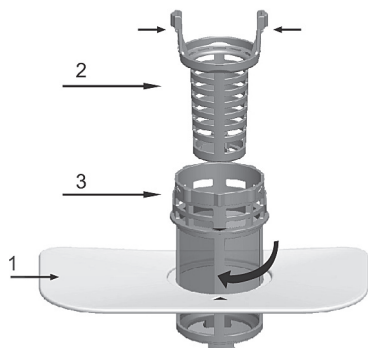
Для очистки этого фильтра необходимо сжать его в верхней части и затем извлечь.

3 Микрофильтр

Этот фильтр улавливает загрязнения и остатки пищи в области поддона и предотвращает повторное оседание их на посуде во время цикла мытья.

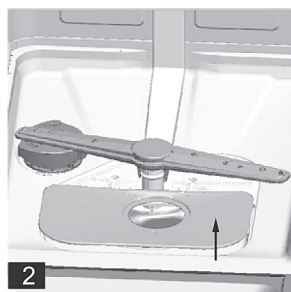
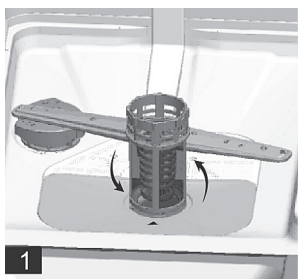
⇒ Перед каждым использованием посудомоечной машины необходимо проверять фильтры на предмет засоров.


⇒ Для извлечения системы фильтрации выкрутите фильтр грубой очистки. Затем удалите все имеющиеся остатки пищи и очистите фильтры под проточной водой.



Шаг 1. Поверните фильтр грубой очистки против часовой стрелки, затем извлеките его.

Шаг 2. Извлеките плоский фильтр.



ПРИМЕЧАНИЕ: Для извлечения системы фильтрации выполните операции с шага 1 по шаг 2, для установки системы фильтрации выполните указанные операции в обратном порядке – с шага 2 по шаг 1 .

Узел фильтрации

Для обеспечения более эффективного мытья посуды и поддержания его качества на оптимальном уровне необходимо регулярно проводить очистку узла фильтрации. Фильтры улавливают находящиеся в воде частицы пищи, позволяя повторно использовать воду в процессе мытья. По этой причине для обеспечения нормальной очистки воды рекомендуется удалять из фильтра крупные частицы пищи после каждого цикла мытья, промывая полукруглый фильтрующий элемент и чашу под проточной водой. Чтобы извлечь узел фильтрации, потяните за ручку чаши вверх. Полную

Посудомоечные машины

очистку узла фильтрации следует проводить раз в неделю. Чтобы удалить загрязнения с фильтра грубой очистки и микрофильтра, используйте щетку. Затем снова соберите узел фильтрации, как показано на рисунках выше, вставьте собранный узел в посудомоечную машину и, нажав на него вниз, зафиксируйте его на месте. Запрещается использовать посудомоечную машину без фильтров. Неправильная установка фильтра может приводить к снижению эффективности работы прибора, а также повреждению посуды и самого прибора.

⚠ ПРЕДУПРЕЖДЕНИЕ!

Запрещается использовать посудомоечную машину без установленных фильтров. При очистке фильтров соблюдайте осторожность. Не допускайте ударов о другие предметы.

В противном случае работа фильтров может быть нарушена, а также может быть снижена эффективность посудомоечной машины.



Очистка распылительных коромысел

Необходимо регулярно проводить очистку распылительных коромысел, чтобы содержащиеся в жесткой воды химические вещества не забивали сопла и подшипники распылительных коромысел.

Чтобы снять распылительное коромысло, необходимо сначала открутить гайку, повернув ее по часовой стрелке, и извлечь расположенное сверху распылительного коромысла уплотнение. Промойте коромысла в теплой мыльной воде, для прочистки сопел используйте щетку с мягкой щетиной. Тщательно ополосните их и установите на место.

Уход за посудомоечной машиной

Для очистки панели управления используйте слегка смоченную в воде ткань, затем вытрите поверхности насухо.

Для очистки внешних панелей корпуса используйте качественный полировочный воск, предназначенный для ухода за бытовой техникой.

Для чистки поверхностей и деталей посудомоечной машины запрещается применять острые предметы, губки с абразивным покрытием и агрессивные чистящие средства.

Защита от замораживания

Если посудомоечную машину планируется оставить в неотапливаемом помещении зимой, следует обратиться в техническую службу для принятия следующих мер:

1. Отключить посудомоечную машину от сети электропитания.

2. Перекрыть подачу воды и отсоединить трубу подачи воды от клапана подачи воды.

3. Слить воду из трубы подачи воды и клапана подачи воды (для сбора вытекающей воды использовать поддон).

4. Снова подсоединить трубу подачи воды к клапану подачи воды.

5. Извлеките фильтр из нижней части машины и с помощью губки соберите воду из поддона.

Чистка дверцы

Для очистки поверхностей дверцы по периметру разрешается использовать только мягкую ткань, смоченную в теплой воде. С целью предотвращения попадания воды в замок дверцы и на электрические компоненты запрещается применять пульверизаторы.

Кроме того, не допускается использовать абразивные чистящие средства и губки с абразивным покрытием, так как они могут оставлять царапины на поверхности. Также следует учесть, что некоторые бумажные полотенца могут царапать или оставлять следы на поверхности.

ПРЕДУПРЕЖДЕНИЕ!

Для очистки панели дверцы запрещается использовать пульверизатор, так как это может привести к повреждению замка и электрических компонентов. Не допускается также применять абразивные чистящие вещества и некоторые виды бумажных полотенец, так как они могут оставлять царапины

и пятна на поверхностях из нержавеющей стали.

Порядок ухода за посудомоечной машиной

➔ После каждого мытья посуды

После каждого мытья посуды переключайте подачу воды к прибору и оставляйте дверцу чуть приоткрытой, чтобы внутри посудомоечной машины не скапливалась влага и неприятные запахи.

➔ Извлекайте вилку из розетки

Перед проведением чистки или технического обслуживания обязательно извлекайте вилку из розетки. Не подвергайте себя опасности!

➔ Не используйте растворители или абразивные чистящие вещества

Не используйте растворители и абразивные чистящие вещества для очистки внешних поверхностей корпуса и резиновых деталей посудомоечной машины. С этой целью допускается применять только тканевые салфетки и теплый мыльный раствор. Для удаления с внутренних поверхностей пятен и налета следует использовать тканевую салфетку, смоченную в воде с небольшим количеством уксуса, или специальные чистящие средства для посудомоечных машин.

➔ Если посудомоечная машина не будет использоваться длительный период времени

Если вы уезжаете на длительное время, например, в отпуск, и посудомоечной машиной никто не будет пользоваться, то перед отъездом рекомендуется запустить цикл стирки без загрузки посуды, а затем извлечь

Посудомоечные машины

вилку из розетки, перекрыть подачу воды и оставить дверцу прибора слегка открытой. Это позволит продлить срок службы уплотнителей и предотвратить появление в приборе неприятного запаха.

Перемещение прибора

При перемещении прибора по возможности удерживайте его в вертикальном положении. В случае крайней необходимости допускается положить его на заднюю панель.

Уплотнители

Одна из причин появления неприятного запаха в посудомоечной машине – накопление в уплотнителях остатков пищи. С целью предотвращения этого требуется регулярная чистка уплотнителей влажной губкой.

**Внимание!**

Прокладка труб и установка электрооборудования должны осуществляться только профессионалами.

**ПРЕДУПРЕЖДЕНИЕ!****Опасность поражения электрическим током!**

Перед установкой посудомоечной машины обязательно отключайте ее от источника электропитания.

Несоблюдение этого требования может приводить к поражению электрическим током с тяжелыми травмами вплоть до летального исхода.

**8. РЕКОМЕНДАЦИИ ПО ПОИСКУ УСТРАНЕНИЮ НЕИСПРАВНОСТЕЙ****Коды неисправностей/сбоев**

В случае возникновения некоторых неисправностей и сбоев на дисплей прибора выводятся соответствующие коды для предупреждения об этом пользователя:

Код	Значение	Возможная причина
E1	Открыта дверца	Открыта дверца во время работы посудомоечной машины
E2	Не подается вода	Сбой подачи воды
E3	Не производится слив воды	Сбой при сливе воды
E4	Неисправность датчика температуры	Возникла неисправность датчика температуры
E5	Переполнение / утечка	Возникло переполнение или утечка воды
E6	Утечка воды	Возникла утечка воды
E7	Неисправность нагревательного элемента	Перегрев

ПРЕДУПРЕЖДЕНИЕ!

В случае возникновения переполнения перед обращением в сервисный центр необходимо перекрыть подачу воды в прибор. Если в результате переполнения или небольшой утечки в поддон попало небольшое количество воды, то перед последующим пуском посудомоечной машины эту воду следует удалить.

Перед обращением в сервисный центр

Перед тем как обратиться в сервисный центр, ознакомьтесь с информацией, приведенной в таблице ниже, возможно, вы сможете устранить возникшее нарушение самостоятельно.

Нарушение в работе	Возможная причина	Что следует предпринять
Не включается посудомоечная машина	Перегорел предохранитель или сработал защитный автоматический выключатель	Замените предохранитель или выполните сброс автоматического выключателя. Отключите другие бытовые приборы, подключенные к той же цепи, что и посудомоечная машина.
	Не включена подача питания	Убедитесь в том, что посудомоечная машина включена, а дверца плотно закрыта. Убедитесь в том, что вилка правильно вставлена в настенную розетку.
	Низкое давление воды	Убедитесь в том, что подключение к водопроводу выполнено правильно и подача воды включена.
Не останавливается сливной насос	Переполнение	Система обеспечивает автоматическое обнаружение переполнения. В случае возникновения переполнения отключается циркуляционный насос и включается сливной насос.
Шум при работе	Некоторые звуки не свидетельствуют о каких-либо нарушениях в работе	Открывается емкость с моющим средством.
	Столовые приборы не зафиксирована в корзинах или в корзину упал небольшой предмет	Проверить расположение посуды в посудомоечной машине.
	Гудит электродвигатель	Посудомоечная машина используется нерегулярно. Если вы используете ее редко, необходимо организовать заполнение и откачивание в еженедельном режиме, что позволит поддерживать уплотнения во влажном состоянии.
Пена в поддоне	Неподходящее моющее средство	С целью предотвращения образования пены в поддоне используйте только специальное моющее средство, предназначенное для посудомоечной машины. В случае обнаружения пены откройте посудомоечную машину и дождитесь испарения пены. Залейте в поддон примерно 4 литра холодной воды. Закройте и заблокируйте посудомоечную машину, затем запустите цикл предварительного мытья, чтобы слить воду. При необходимости повторите.
	Разлилось средство для ополаскивания	Если разлилось средство для ополаскивания, обязательно вытрите поверхности насухо.

Посудомоечные машины

Цветные пятна внутри поддона	Использовалось моющее средство с красителем	Убедитесь в том, что моющее средство не содержит красителя
Посуда и столовые приборы не очищаются	Неправильно выбрана программа	Выберите более интенсивную программу мытья.
	Неправильная загрузка посуды в корзину	Убедитесь в том, что работа дозатора моющего средства и распылительных коромысел не заблокирована посудой.
Пятна и пленка на стаканах и столовых приборах	<ol style="list-style-type: none"> 1 Чрезмерно жесткая вода 2 Низкая температура на входе 3 Перегрузка посудомоечной машины 4 Неправильная загрузка посуды 5 Старое или влажное порошковое моющее средство 6 Пустой дозатор ополаскивателя 7 Неправильная дозировка моющего средства 	<p>Чтобы удалить пятна со стеклянной посуды:</p> <ol style="list-style-type: none"> 1 Извлеките из посудомоечной машины все металлические столовые приборы. 2 Не добавляйте моющее средство. 3 Выберите самый длинный цикл. 4 Запустите посудомоечную машину и оставьте ее работать в течение примерно 18–22 минут, при этом она перейдет к выполнению основного цикла мытья. 5 Откройте дверцу и вылейте в нижнюю часть посудомоечной машины 2 чашки белого уксуса. 6 Закройте дверцу и дайте посудомоечной машине закончить цикл. Если уксус не помог: Повторите указанную выше процедуру, но вместо уксуса используйте 1/4 стакана (60 мл) лимонной кислоты в порошкообразной (кристаллической) форме.
Мутный налет на стекле	Сочетание мягкой воды и слишком большого объема моющего средства	Если у вас мягкая вода, используйте меньшее количество моющего средства и выбирайте более короткий цикл для мытья и очистки стеклянной посуды.
Желтая или коричневая пленка на внутренних поверхностях	Пятна от чая или кофе	<p>Для ручного удаления пятен используйте раствор из 1/2 стакана отбеливателя и 3 стаканов теплой воды.</p> <p>Предупреждение!</p> <p>Перед тем как приступить к очистке внутренних поверхностей, необходимо после окончания цикла подождать 20 минут, чтобы нагревательные элементы остыли, иначе можно получить ожоги.</p>
	К образованию пленки могут приводить отложения железа в воде	Вам необходимо обратиться в компанию, занимающуюся умягчением воды, для приобретения специального фильтра.
Белая пленка на внутренних поверхностях	Минералы жесткой воды	Для чистки внутренних поверхностей используйте влажную губку с моющим средством для посудомоечной машины, перед выполнением этой работы надевайте резиновые перчатки. Во избежание образования пены с этой целью необходимо использовать только моющее средство, предназначенное для посудомоечной машины.

Посудомоечные машины

Не закрывается плотно крышка дозатора моющего средства	Остатки моющего средства не позволяют фиксатору плотно закрыть крышку	Очистите фиксатор от моющего средства.
В емкости дозатора осталась моющее средство	Посуда перекрыла отверстия в емкости для моющего средства	Правильно загрузить посуду в корзины.
Выходит пар	Это нормальное явление	В процессе сушки и слива воды через вентиляционные отверстия дверцы может выходить некоторое количество пар.
Черные или серые пятна на посуде	Контакт посуды с алюминиевыми приборами	Чтобы удалить эти пятна, используйте мягкое абразивное чистящее средство.
Наличие воды на дне поддона	Это нормальное явление	Небольшое количество чистой воды рядом с выходным отверстием на дне поддона обеспечивает смазку уплотнения.
Утечка воды из посудомоечной машины	Переполнился дозатор или разлился ополаскиватель	Не допускайте переполнения дозатора ополаскивателя. Разлившийся ополаскиватель может вызвать повышенное пенообразование и приводить к переполнению. Разлившийся ополаскиватель следует собрать влажной тканью.
	Посудомоечная машина установлена неровно	Выровняйте положение посудомоечной машины по уровню.

Посудомоечные машины

Технические данные

Технические данные бытовой посудомоечной машины в соответствии с Директивой ЕС 1059/2010:

Компания-изготовитель	KUPPERSBERG
Модель	GS 4533
Количество загружаемых стандартных комплектов	11
Класс энергоэффективности ¹	A ++
Ежегодное потребление энергии ²	225 кВтч
Энергопотребление при стандартном цикле мытья	0,782 кВтч
Потребляемая мощность в выключенном режиме	0,35 Вт
Потребляемая мощность при включении	0,8 Вт
Ежегодное потребление воды ³	2520 л
Класс эффективности сушки ⁴	A
Стандартный цикл мытья ⁵	Эко
Продолжительность программы стандартного цикла мытья	238 мин
Уровень шума	49 дБ(А) для 1 пВт
Тип установки	Полностью встраиваемая
Возможность встраивания	Да
Высота	81,5 см
Ширина	44,8 см
Глубина (с разъемами)	55,8 см
Потребляемая мощность	1850 Вт
Номинальное напряжение / частота	220–240 В перем. тока / 50 Гц
Давление воды (гидродинамическое)	0,4–10 бар = 0,04–1,0 МПа
Температура воды	Макс. 62 °С

ПРИМЕЧАНИЯ:

1. От A+++ (наивысшая эффективность) до D (наименьшая эффективность).
2. Энергопотребление в размере 225 кВтч в год рассчитано на основе 280 стандартных циклов мойки с использованием холодной водопроводной воды и режимов с низким потреблением мощности. Фактическое энергопотребление будет зависеть от конкретного использования прибора.
3. Потребление воды в размере 2520 литров в год рассчитано на основе 280 стандартных циклов мойки. Фактическое потребление воды будет зависеть от конкретного использования прибора.
4. От A (наивысшая эффективность) до G (наименьшая эффективность).
5. Эта программа подходит для чистки нормально загрязненной столовой посуды и является наиболее эффективной в плане соотношения потребления электроэнергии и расхода воды для такого типа столовой посуды.

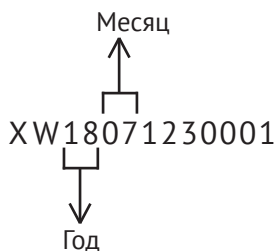
Данный прибор соответствует европейским стандартам и директивам в текущей на момент поставки редакции.

- Директива ЕС на низковольтное оборудование 2014/35/ЕС
- Директива об электромагнитной совместимости 2014/30/ЕС
- Директива на энергопотребляющие изделия (EUP 2010/1016)

ПРИМЕЧАНИЯ: Указанные выше значения были измерены в соответствии со стандартами условиями эксплуатации. Результаты могут в значительной степени отличаться в зависимости от количества и загрязнения посуды, жесткости воды, количество моющего средства и других факторов.

Данное руководство по эксплуатации подготовлено с учетом требований правил и стандартов, действующих в Европейском союзе.

ОПРЕДЕЛЕНИЕ ДАТЫ ПРОИЗВОДСТВА ТОВАРА ПО СЕРИЙНОМУ НОМЕРУ:



Производитель:

Жонгшан Галанз Консумер Електрик Аплиансес Ко..Лтд., Китай

Уполномоченное изготовителем лицо:


ООО «Эм-Джи Русланд», 141400
г. Химки, ул. Бутаково, д.4

NOTES / ДЛЯ ЗАМЕТОК

NOTES / ДЛЯ ЗАМЕТОК

ООО «КУППЕРСБЕРГ-СЕРВИС»

УСТАНОВКА, ГАРАНТИЙНОЕ И ПОСТГАРАНТИЙНОЕ ОБСЛУЖИВАНИЕ
ПО МОСКВЕ И МОСКОВСКОЙ ОБЛАСТИ

 +7 (495) 236-90-67

Телефон горячей линии Kuppertsberg:

 8 (800) 250-17-18

(Звонки для всех регионов бесплатные).

 Часы работы линии: с 9:00 до 18:00 Пн-Пт

⇒ Полный список авторизованных сервисных центров Kuppertsberg можно найти на официальном сайте компании:

 <http://kuppertsberg.ru>

⇒ Данный паспорт технического изделия заменяет гарантийный талон.

⇒ Гарантийный срок исчисляется со дня заключения договора купли-продажи.

⇒ При отсутствии документов, подтверждающих покупку, эти сроки исчисляются со дня изготовления товара (Ст. 19 ЗоЗПП, пункт 2).

УСЛОВИЯ ГАРАНТИИ

Настоящие условия гарантии действительны на территории России, если иные условия не установлены действующим законодательством:

1. Изготовитель устанавливает гарантийный срок 2 (два) года со дня передачи Потребителю на следующие виды техники: воздухоочистители, встраиваемую технику. Срок службы бытовой техники «Kuppertsberg» при соблюдении правил эксплуатации и применения ее в бытовых целях составляет 10 (десять) лет.

2. Гарантия распространяется на изделия, используемые только для личных, семейных, домашних нужд, а также нужд, не связанных с осуществлением предпринимательской деятельности.

3. Проследите, чтобы гарантийный талон был правильно заполнен, не имел исправлений и в нем были указаны: дата продажи, штамп торговой организации и подпись продавца, модель и серийный номер изделия, дата установки, название и штамп фирмы-установщика.

4. Сохраняйте гарантийный документ, чек на проданное изделие и квитанцию на услуги по его установке (доставке), доработке водяных и электрических внутриквартирных коммуникаций, а также любые другие документы, относящиеся к гарантийному или техническому обслуживанию изделия.

5. Прежде чем вызвать специалиста сервисного центра, внимательно прочитайте инструкцию по эксплуатации изделия. Если изделие исправно, то за сервисным центром остается право требовать от Потребителя оплаты ложного вызова.

6. Любые претензии по качеству изделия рассматриваются только после предварительной проверки качества изделия представителем сервисного центра.

7. Изготовитель не несет какой-либо ответственности за любой возможный ущерб, нанесенный потребителю, в случае несоблюдения последним требований Изготовителя, указанных в данном гарантийном документе и инструкции по эксплуатации.

8. Гарантийный срок на элементы освещения (галогеновые, светодиодные и лампы накаливания) составляет 15 дней со дня продажи прибора.

Гарантия не распространяется на изделия, недостатки в которых возникли вследствие:

1. Несоблюдения требований Изготовителя, указанных в гарантийном документе;
2. Несоблюдения Потребителем правил установки, подключения, эксплуатации, хранения или транспортировки изделия, указанных в инструкции по эксплуатации;
3. Ремонта не уполномоченными на то лицами, если таковой ремонт повлек за собой отказ изделия;
4. Разборки изделия, изменения конструкции и других вмешательств, не предусмотренных инструкцией по эксплуатации;
5. Неисправностей и повреждений, вызванных экстренными условиями и действием непреодолимой силы (пожар, стихийные бедствия, и т.д.);
6. Повреждений техники или нарушений ее нормальной работы, вызванных животными или насекомыми;
7. Повреждений техники или нарушений ее нормальной работы, вызванных сверхнормативными отклонениями параметров сети электро-, газо- или водоснабжения от номинальных значений;
8. Использования изделия для предпринимательской деятельности или в непредусмотренных целях;
9. Образования на нагревательных элементах избыточного слоя накипи (при повышенной жесткости воды необходима обработка соответствующими составами);
10. Попадания во внутренние рабочие объемы изделия посторонних предметов, мелких деталей одежды или остатков пищи;
11. Механических повреждений изделия Потребителем (царапины, трещины, сколы и т.п.);
12. Потери товарного вида изделия вследствие воздействия на изделие химических веществ;
13. Термических и других подобных повреждений, которые возникли в процессе эксплуатации.

Изготовитель не принимает претензии в следующих случаях:

1. Несоблюдение правил установки;
2. Отсутствие оригинального гарантийного талона;
3. Отсутствие в гарантийном талоне следующих сведений: даты продажи, штампа торгующей организации, подписи продавца, модели и серийного номера изделия;
4. Внесение любых исправлений (изменений) в текст гарантийного документа.

Установка и подключение крупной бытовой техники:

1. Производитель рекомендует Вам доверить установку и подключение изделия «Kuppersberg» специалистам сервисного центра. Вы можете также обращаться в любую другую организацию, имеющую сертификат на оказание подобных услуг.
2. Оплата работ по установке и подключению изделия происходит по прейскуранту сервисного центра. Условия оплаты работ по установке и подключению регулируются действующим законодательством. Изготовитель не несет какой-либо ответственности за любой ущерб, нанесенный имуществу граждан вследствие установки и подключения, не соответствующих требованиям, указанным в инструкции по эксплуатации, и произведенных не уполномоченными на то лицами.
3. В случае нарушения требований Изготовителя по установке и подключению, ответственность за причиненный ущерб несет лицо, проводившее эту работу.
4. Газовая бытовая техника может быть установлена только специалистом, имеющим допуск на установку газового оборудования. Гарантийное обслуживание осуществляется только при наличии отметки об установке или документа уполномоченной организации.

Изделие, имеющее трехконтактную сетевую вилку, обязательно должно быть заземлено!





⇒ **ВНИМАНИЕ!**

**ДАННЫЙ ПАСПОРТ ИЗДЕЛИЯ
ТАК ЖЕ ЯВЛЯЕТСЯ
ГАРАНТИЙНЫМ ТАЛОНОМ,
ПРОСЬБА НЕ УНИЧТОЖАТЬ
ДО КОНЦА ЭКСПЛУАТАЦИИ
ТЕХНИКИ.**

- ⇒ Kuppersberg
- ⇒ www.kuppersberg.ru
- ⇒ info@kuppersberg.ru