

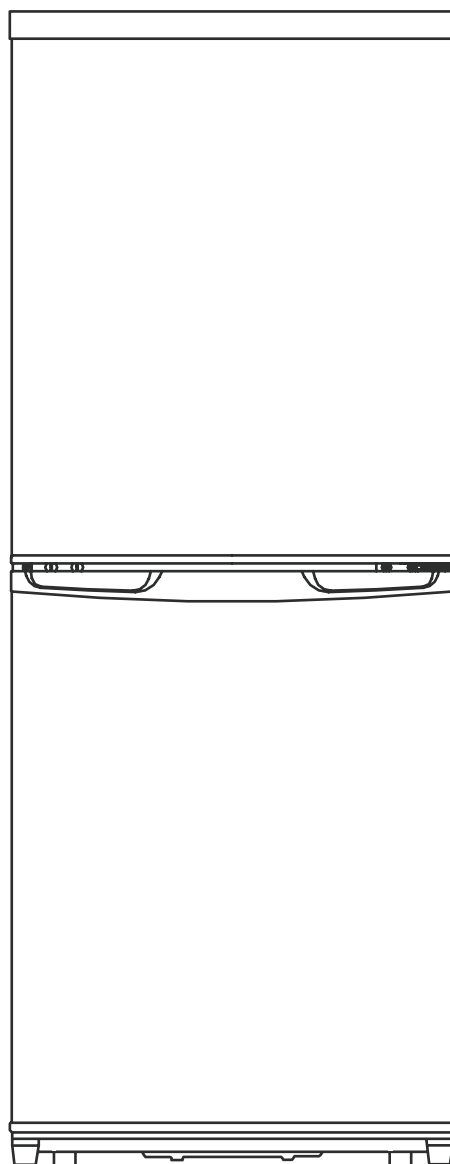
Hisense

REFRIGERATOR
Instruction Manual

MODEL :

RD-30WC4SAW

RD-30WC4SAS



www.diorit.ru



АГ 88

Contents

| | | | |
|--------------------------------------|---|---------------------------------|----|
| Safety and warning information _____ | 2 | Helpful hints and tips _____ | 7 |
| Description of the appliance! _____ | 4 | Cleaning and care _____ | 8 |
| Control panel _____ | 5 | What to do if _____ | 9 |
| First use and installation _____ | 6 | Reversing the door _____ | 10 |
| Daily use _____ | 6 | Disposal of the appliance _____ | 12 |



This appliance is in accordance with the following EU guidelines:
2006/95/EC and 2004/108/EC and 2009/125/EC and EC.643/2009.



Safety and warning information

For your safety and correct usage, before installing and first using the appliance, read this user manual carefully, including its hints and warnings. To avoid unnecessary mistakes and accidents, it is important to make sure that all people using the appliance are thoroughly familiar with its operation and safety features. Save these instructions and be sure that they remain with the appliance if it is moved or sold, so that a using it throughout its life will be properly informed on its correct appliance usage and safety.

For the safety of life and property, keep the precautions of these user's instructions as the manufacturer is not responsible for damages caused by omission.

Safety for children and others who are vulnerable people

- This appliance is not intended for use by persons (including children) with reduced physical, sensory or mental capabilities, or a lack of experience and knowledge, unless they have been given supervision or instruction concerning the use of the appliance by a person responsible for their safety. Children should be supervised to ensure that they do not play with the appliance.
- Keep all packaging away from children as there is risk of suffocation.
- If you are discarding the appliance, pull the plug out of the socket, cut the

connection cable (as close to the appliance as you can) and remove the door to prevent children playing from suffering an electric shock or from closing themselves inside it.

If this appliance, featuring a magnetic door seals, is to replace an older appliance having a spring lock (latch) on the door or lid, be sure to make the spring lock unusable before you discard the old appliance. This will prevent it from becoming a death trap for a child.

General safety



Caution! Keep ventilation openings clear of obstructions.

- The appliance is intended for keeping food and/or beverages in a normal household as explained in this instruction manual.
- Do not use a mechanical device or any artificial means to speed up the thawing process.
- Do not use other electrical appliances (such as ice cream makers) on the inside of refrigerating appliances, unless they are approved for this purpose by the manufacturer.
- Do not damage the refrigerant circuit. The refrigerant isobutane (R600a) is contained within the refrigerant circuit of the appliance. It is a natural gas with a high level of environmental compatibility, which is nevertheless flammable.



Caution: Risk of fire!

During the transportation and installation of the appliance, make certain that none of the components of the refrigerant circuit become damaged.

-avoid open flames and sources of ignition.
-thoroughly ventilate the room in which the appliance is located.

- It is dangerous to alter the specifications or modify this product in any way. Any damage to the cord may cause a shortcircuit, fire, and/or electric shock.



Warning! Any electrical component (power cord, plug, compressor) must be replaced by a certified service agent or qualified service personnel.

1. The power cord must not be lengthened.
2. Make sure that the power plug is not crushed or damaged. A crushed or damaged power plug may overheat and cause a fire.
3. Make sure that you can access the main plug of the appliance.
4. Do not pull the main cable.
5. If the power plug socket is loose, do not insert the power plug. There is a risk of electric shock or fire.
6. You must not operate the appliance without the interior lighting lamp cover.

Daily use

- Do not remove nor touch items from the freezer compartment if your hands are damp/wet, as this could cause skin abrasions or frost/freezer burns.
- Do not place the appliance in direct sunlight.
- Do not store flammable gases or liquids inside the appliance. There is a risk of an explosion.
- Do not operate any electrical appliances within the appliance (e.g. electric ice cream makers, mixers, etc.).
- When unplugging, always pull the plug from the main outlet. Do not pull on the cord.
- Do not place hot items near the plastic components of this appliance.
- Do not place food products directly against the air outlet on the rear wall. 1)
- Frozen food must not be refrozen once it has been thawed out. 2)

- Store pre-packaged frozen food in accordance with the frozen food manufacturer's instructions. 2)
- The appliance's manufacturing storage recommendations should be strictly adhered to. Refer to the relevant instructions for storage.
- Do not place carbonated or fizzy drinks in the freezer compartment as it creates pressure on the container, which may cause it to explode, resulting in damage to the appliance. 2)
- Ice lollies (popsicles) can cause frost burns if consumed straight from the refrigerated compartment. 2)
- Do not store explosive substances such as aerosol cans with a flammable propellant in this appliance.
- This appliance is intended to be used in household and similar applications such as
 - staff kitchen areas in shops, offices and other working environments;
 - farm houses and by clients in hotels, motels and other residential type environments;
 - bed and breakfast type environments;
 - catering and similar non-retail applications
- Keep burning candles, lamps and other items with naked flames away from the appliance so that do not set the appliance on fire.

Warning!

Care and cleaning

- Before maintenance, switch off the appliance and disconnect the mains plug from the mains socket.
- Do not clean the appliance with metal objects, steam cleaner, ethereal oils, organic solvents or abrasive cleansers.
- Do not use sharp objects to remove frost from the appliance. Use a plastic scraper.

Installation

Important!

For electrical connection carefully, follow the instructions given in this manual.

- Unpack the appliance and check if there are damages on it. Do not connect the appliance if it is damaged. Report possible damages immediately to the place you bought it. In this case retain packing.
- It is advisable to wait at least four hours before connecting the appliance to allow the oil to flow back in the compressor.

- Adequate air circulation should be around the appliance, lacking this leads to overheating. To achieve sufficient ventilation, follow the instructions relevant to installation.
- Wherever possible the back of the product should be against a wall to avoid touching or catching warm parts (compressor, condenser) to prevent the risk of a fire, follow the instructions relevant to installation.
- The appliance must not be locate close to radiators or cookers.

Make sure that the mains plug is accessible after the installation of the appliance.

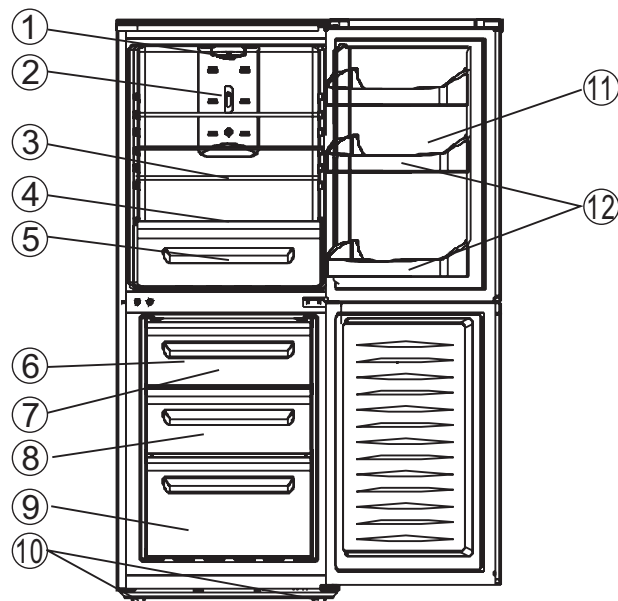
Service

- Any electrical work required to do the servicing of the appliance should be carried out by qualified electrician or competent person.
- This product must be serviced by an authorized Service Center, and only genuine spare parts must be used.
 - 1)If the appliance is Frost Free.
 - 2)If the appliance contains freezer compartment.

Description of the appliance

View of the appliance

- 1.Refrigerator lamp
- 2.Wind path parts in refrigerator
- 3.Shelf
- 4.Vegetable drawer cover
- 5.Vegetable drawer
- 6.Ice tray(inside)
- 7.Freezer upper drawer
- 8.Freezer middle drawer
- 9.Freezer lower drawer
- 10.Adjustable foot
- 11.Egg rack(inside)
- 12.Door rack



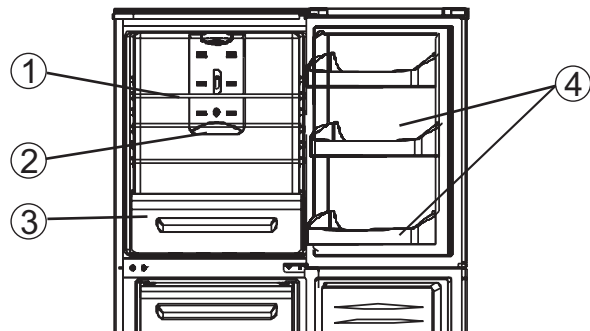
Note: Due to unceasing modification of our products your refrigerator may be slightly different from this Instruction Manual, but its functions and using methods remain the same.

1Part:It is suitable for storing cake, cooked-foods, sweetmeats, canned foods, meat and dairy products, etc.

2Part: It is Refrigerate Compartment Cooling Air Inlet.Cool air is evenly blown from the inlet into the refrigerator compartment .Storing food at the outlet many block the air path and cause insufficient refrigeration.

3Part: It is suitable for storing fruits, vegetables and salad, etc.

4Part: It is suitable for the storage of egg ,cannel liquid ,bottle liquid and packet food etc .Before you take the food out ,please lift up the door rack vertically, and do not place too many heavy th-ings in the rack.



Control panel

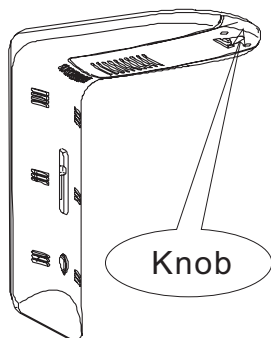
Temperature Control Slider in refrigerator chamber

The temperature control slider is used to adjust the refrigerator and freezer temperature, the slide on the thermostat is used to balance the distribution of air flow volume of each compartment. With the slider turns down, which will cause more air flow in refrigerator and less air flow in freezer, so the refrigerator will be cool faster. For normal operating use, keep the slider in the centre normal position. You should not need to adjust the temperature control dial if the slider is kept at the normal setting.

Turning on the appliance and setting the thermostat

You switch on your appliance by connecting it to your mains supply and setting the thermostat, the thermostat control knob is located at the top. Wind path parts in refrigerator. The thermostat automatically regulates the temperature interior refrigerator chamber and freezer chamber, depending on what number you have turned the thermostat control knob to:

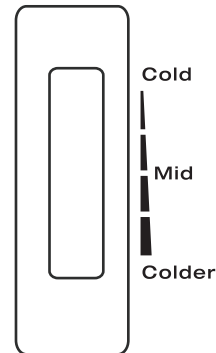
1. If the ambient temperature is higher temperature (in summer), please set the control knob at "5, 6 or 7" position.
2. If the ambient temperature is lower temperature (in winter), please set the control knob at "1 or 2" position.
3. please set the control knob at "3 or 4" position in usual condition.



Important!

Normally we advise you select setting of 2 or 3 or 4, if you want the temperature warmer or colder please turn the knob to lower or higher setting accordingly. When you turn the knob to lower which can lead to the more energy efficiency. Otherwise, it would result in the energy-consuming.

If it gets too cold in the chilled chamber with the switch on "Cold", just turn the switch back to "Mid", if the temperature gets higher in the chilled chamber with the switch on "Colder", just turn the switch to "Mid".



Important!

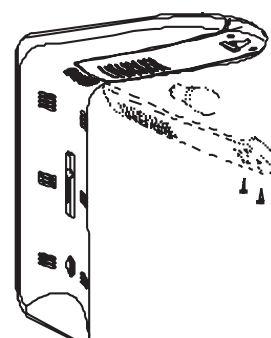
High ambient temperatures (e.g. on hot summer days) and a cold setting on the temperature re-gulator (position 6 to 7) can cause the compressor to run continuously or even non-stop! Reason: when the ambient temperature is high, the compressor must run continuously to maintain the low temperature in the appliance..

Changing the light bulb

WARNINGS!!!

Before removing the light bulb, either the refrigerator or disconnect the electricity leading into the refrigerator at the main power supply. Failure to do so could result in electrical shock or personal injury.

1. Use the cross screw driver to take the screws out.
2. Remove the light cover.
3. Light Bulb-screw out the bulb according to the direction shown in the picture
4. Replace with a 10 watt-refrigerator bulb that is of the same shape and size.
5. Replace the light cover.



First use and installation

Cleaning before use

- Before using the appliance for the first time, wash the interior and all internal accessories with lukewarm water and some neutral soap in order to remove the typical smell of a brand new product, then dry thoroughly.

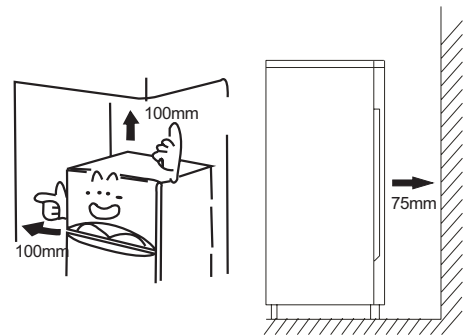
Installation Positioning



Warning! Before installing, read the instructions carefully for your safety and the correct operation of the appliance.

- Position the appliance away from sources of heat such as stoves, radiators, direct sunlight, etc.
- Maximum performance and safety are guaranteed by maintaining the correct indoor temperature for the class of unit concerned, as specified on the rating plate.
- This appliance performs well from N to ST. The appliance may not work properly if it is left for a longer period at a temperature above or below the indicated range.

Important! It is necessary to have good ventilation around the refrigerator to allow for the dissipation of heat, high efficiency and low power consumption. For this reason, a sufficiently cleared space should be available around the refrigerator. It is advisable for there to be 75mm separating the back of the refrigerator to the wall at least 100mm of space on its two sides, a height of over 100mm from its top and a clear space in front to allow the doors to open 160°.



| Climate class | Ambient temperature |
|---------------|---------------------|
| SN | +10°C to +32°C |
| N | +16°C to +32°C |
| ST | +16°C to +38°C |
| T | +16°C to +43°C |

- Appliances must not be exposed to rain. Sufficient air must be allowed to circulate in the lower rear section of the appliance, as poor air circulation can affect performance. Built-in appliances should be positioned away from heat sources such as heaters and direct sunlight.

Leveling

- The appliance should be level in order to eliminate vibration. To make the appliance level, it should be upright and both adjusters should be in stable contact with the floor. You can also adjust the level by unscrewing the appropriate level adjustment in the front (use your fingers or a suitable spanner).

Electrical connection

Caution! Any electrical work required to install this appliance should be carried out by a qualified or authorized personnel.

Warning! This appliance must be grounded. The manufacturer declines any liability should these safety measures not be observed.

Daily use

Accessories 1)

Movable shelves/trays

- Various glass, plastic storage shelves or wire trays are included with your appliance—different models have different combinations and different models have different features.
- The walls of the refrigerator are equipped with a series of runners so that the shelves can be positioned as desired.

Positioning the door shelves

- To permit the storage of food packages of various sizes, the door shelves can be placed at different heights.
- To adjust, gradually pull the shelf in the direction of the arrows until it comes free, then reposition as required.

Vegetable Drawer

- For storing fruit and vegetables.

Freezer Drawer

- For storing frozen food.

Ice-cube tray

- For making ice and storing ice-cubes.

Refrigerator compartment ²⁾

- For storing food that does not need to be

frozen and different sections suitable for different kinds of food.

Freezer food compartment ²⁾

- For freezing fresh food and storing frozen and deep-frozen food for long periods of time.

Thawing food ²⁾

- In the refrigerator compartment.
- At room temperature.
- In a microwave oven.
- In a conventional or convection oven.
- Food once thawed should be re-frozen with the exception of special cases.

1) If the appliance contains related accessories and functions.

2) If the appliance contains a freezer compartment.

Helpful hints and tips

Noises during operation

Clicks- Whenever the compressor switches on or off, a click can be heard.

Humming- As soon as the compressor is in operation, you can hear it humming.

Bubbling- When refrigerant flows into thin tubes, you can hear bubbling or splashing noises.

Splashing- Even after the compressor has been switched off, this noise can be heard for a short time.

Energy saving tips

- Do not install the appliance near stoves, radiators or other sources of warmth.
- Keep the time the appliance is open to a minimum.
- Do not set the temperature colder than necessary.
- Make sure the side plates and back plate of the appliance are at some distance from the wall, and follow the instructions relevant to installation.
- If the diagram shows the correct combination for the drawers, crisper and shelves, do not adjust the combination as it would produce an effect on energy consumption.

Hints for fresh food refrigeration

- Do not store warm foods or evaporating liquids in the appliance.
- Do cover or wrap the food, particularly if it

has a strong flavor or odor.

- Position food so that air can circulate freely around it.

Hints for refrigeration

- Meat (all types): wrap in polyethylene (plastic) bags and place on the glass shelf above the vegetable drawer. For safety, store in this way only one or two days at the most.
- Cooked foods, cold dishes, etc...: these should be covered and may be placed on any shelf.
- Fruit and vegetables: these should be thoroughly cleaned and placed in the special drawer provided.
- Butter and cheese: these should be placed in aluminum foil or polyethylene (plastic) bags while removing as much air as possible.
- Milk bottles: these should have a cap and should be stored in the bottle rack on the door.

Hints for freezing

- When first starting-up or after a period out of use. Before putting the food in the compartment, let the appliance run at least 2 hours on the higher settings.

- Prepare food in small portions to enable it to be rapidly and completely frozen and to make it possible to subsequently thaw only the quantity required.
- Wrap up the food in aluminum foil or polyethylene (plastic) and make sure that the packages are airtight.
- Do not allow fresh, unfrozen food to touch food that is already frozen, thus avoiding a rise in the temperature of the latter.
- Iced products, if consumed immediately after removal from the freezer compartment, can possibly cause skin to become freezer burnt.
- It is recommended to label and date each frozen package in order to keep track of the storage time.

IMPORTANT! – If large quantities of food are to be stored in the freezer, all the freezer drawers (except the freezer lower drawer) can be taken out of the appliance and the food stacked directly on the freezer shelves or in the freezer.

Hints for the storage of frozen food

- Make sure that commercially frozen food was stored by the retailer.
- Once defrosted, foods deteriorate rapidly and can not be re-frozen.
- Do not exceed the storage period indicated by the food manufacturer.

Note: If the appliance contains related accessories and functions.

Cleaning and Care

Cleaning and care

For hygienic reasons, the appliance interior, including interior accessories, should be cleaned regularly.

The appliance should be cleaned and maintained at least every two months.



Warning! Danger of electrical shock!

- The appliance should not be connected to the main power supply during cleaning. Before cleaning, switch the appliance off and remove the plug from the main power supply, switch off, or shut off the circuit breaker or fuse.

Notice!

- Remove the food from the appliance before cleaning. Store them in a cool place and keep well covered.
- Never clean the appliance with a steam cleaner. Moisture could accumulate in electrical components.
- Hot vapors can lead to the damage of plastic parts.
- Ethereal oils and organic solvents can attack plastic parts, e.g. lemon juice or the juice from an orange peel, butyric acid, or cleansers that contain acetic acid. Do not allow such substances to come into contact with appliance parts.
- Do not use any abrasive cleansers.
- Clean the appliance and the interior accessories with a cloth and lukewarm

water. Commercially available dish washing detergents may also be used.

- After cleaning, wipe with fresh water and a clean dish cloth.
- Accumulation of dust at the condenser increases energy consumption; clean the condenser at the back of the appliance once a year with a soft brush or a vacuum cleaner. (Only for the outside-condenser product)
- Check the water drain hole on the rear wall of the refrigerator compartment.
- Clear a blocked drain hole with the aid of something like soft green peg, an be careful not to create any damage to the cabinet by sharp objects.
- After everything is dry, the appliance back into service.

Defrosting with NoFrost

- The NoFrost system automatically defrosts the appliance.
- The moisture condenses on the evaporator, is periodically defrosted and evaporates.
- The appliance does not have to be manually defrosted.

Taking the appliance out of service

- Empty the appliance.
- Pull out the power plug.
- Clean thoroughly (see section: Cleaning and Care).
- Leave the door open to prevent odours.

What to do if...



Warning! Before trouble-shooting, disconnect the power supply. Only a qualified electrician or other personnel must carry out the trouble-shooting that is not in the manual.

Important!

Repairs to the appliance may only be performed by competent service engineers. Improper repairs can give rise to significant hazards for the user. If your appliance needs repairing, please contact your specialist dealer, please contact your specialist dealer or your local Customer Service Center.

| Problem | Possible cause | Solution |
|---|---|---|
| Appliance does not work. | Appliance is not switched on. | Switch on the appliance. |
| | Main plug is not plugged in or is loose. | Plug the appliance into the electrical socket. |
| | Fuse has blown or is defective. | Check fuse, replace if necessary. |
| | Outlet is defective. | Defective parts need to be repaired by an electrician. |
| Appliance cools too much. | Temperature is set too cold. | Turn the temperature regulator to a warmer setting temporarily. |
| The food is too warm. | Temperature is not properly adjusted. | Please refer to the "Initial Start Up" section. |
| | Door was open for an extended period. | Open the door only as long as necessary. |
| | A large quantity of warm food was placed in the appliance within the last 24 hours. | Turn the temperature regulator to a colder setting temporarily. |
| | The appliance is near a heat source. | Please refer to the "Installation Location" section. |
| Interior lighting does not work. | Light bulb is defective. | Please look in the "Changing the Light Bulb" section. |
| Heavy build-up of frost, possibly also on the door seal. | Door seal is not air-tight (possibly after reversing the door). | Carefully warm the leaking sections of the door seal with a hair dryer (on a cool setting). At the same time, shape the warmed door seal by hand so that it sits correctly. |
| Unusual noises. | Appliance is not level. | Readjust the feet. |
| | The appliance is touching the wall or other objects. | Move the appliance slightly. |
| | A component, e.g. a pipe, on the rear of the appliance is touching another part of the appliance or the wall. | If necessary, carefully bend the component out of the way. |
| The compressor does not start immediately after changing the temperature setting. | This is normal, no error has occurred. | The compressor starts after a period of time. |
| Water on the floor or storage shelves. | Water drain hole is blocked. | Refer to the "Cleaning and Care" section. |

Reverse the door

The side in which the door opens can be changed from the right side (as supplied) to the left side, if the installation site allows for it.

Tools you will need:

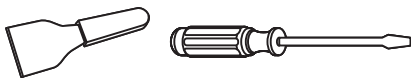
1. 8mm socket driver



2. Cross-shaped screwdriver

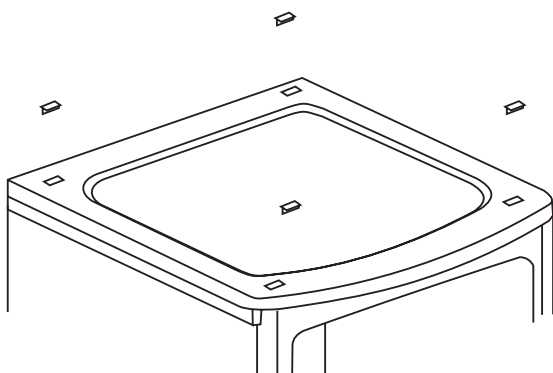


3. Putty knife or thin-blade screwdriver

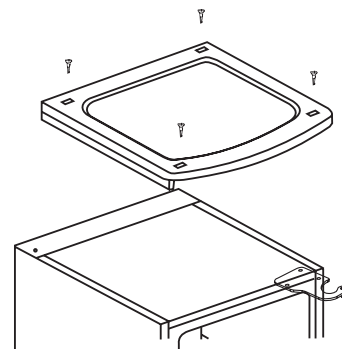


Before you begin, place the refrigerator on its back in order to gain access to the base, you should rest it on soft foam packaging or similar material to avoid damaging the cooling pipes at the rear of the refrigerator.

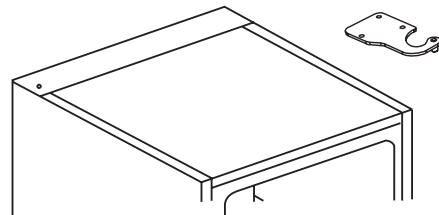
1. Stand the refrigerator, use a flat bladed screw driver to remove the 4 screw covers at the rear of the refrigerator lid.



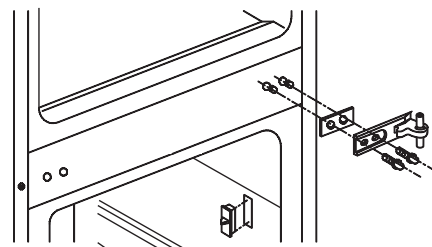
2. Unscrew and lift the lid from the rear and remove it, then lift the upper door and place it on a padded surface to prevent it from being scratched.



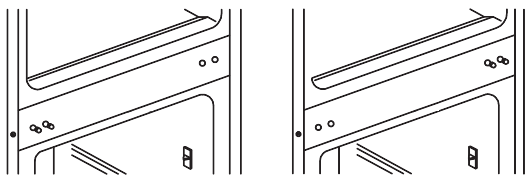
3. First remove the three bolts, then remove the upper hinge that holds the door in place. Lift the upper door and place it on a padded surface to prevent it from scratching.



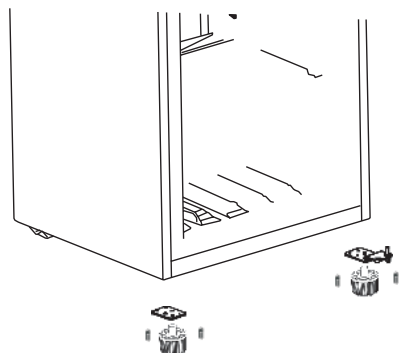
4. Remove the two flange screws, then remove the middle hinge that holds the lower door in place. Lift the lower door and place it on a padded surface to prevent scratching it.



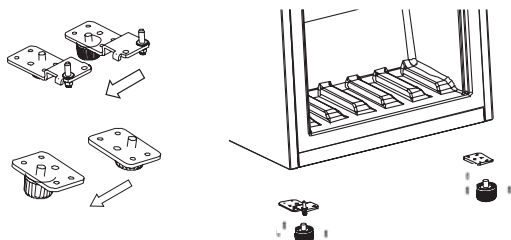
5. Remove the hinge hole cover from the right holes as illustrated and transfer them to the uncover hole at the left side.



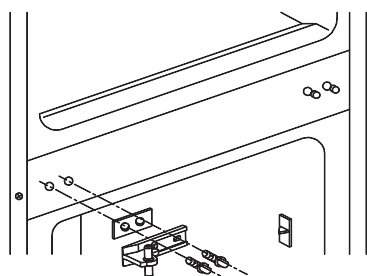
6. Remove both adjustable feet and remove the bottom hinge bracket by unscrewing the bolts.



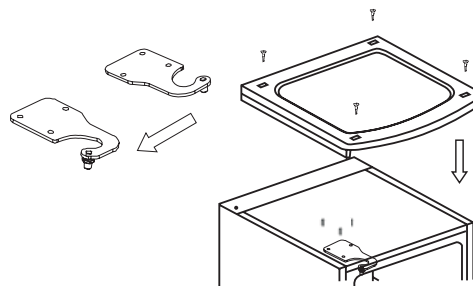
7. Unscrew and remove the bottom hinge pin, turn the bracket over and replace it. Refit the bracket fitting the bottom hinge pin. Replace both adjustable feet. Transfer the lower door to the property position. Secure the door's level, make the bottom hinge pin into the lower hole of the door, then tight the bolts.



8. Make the middle hinge reverse the direction 180 degree, then transfer it to the left property position. Make the middle hinge pin in the upper hole of the lower door, then tight the bolts. Transfer the upper door to the property position. Secure the door's level; make the middle hinge pin into the lower hole of the upper door.

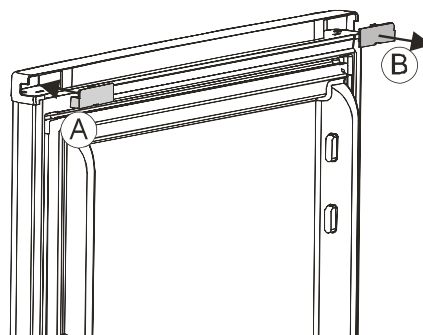


9. With the reassembled top hinge located in the hole in the top inside left corner of the upper door, fix the top hinge using the 3 screws. Remove the decorative block of top cover to the other side. Replace the top cover using screws, replace the circular hole plugs.

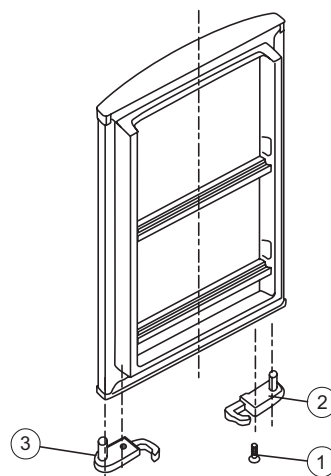


When you reverse the door, Please do this first:

Move the accessory B from the upper cover of upper door and fit the accessory A that is a small detachable part from a small bag.



1. Remove the screw(1) that hold the door stopper(3), then remove the door stopper(3).



Warning!
When changing the side at which the door opens, the appliance must not be connected to the mains. Remove plug from the mains beforehand.

Disposal of the appliance

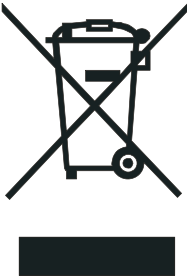
It is prohibited to dispose of this appliance in domestic household waste.

Packaging materials

Packaging materials with the recycle symbol are recyclable. Dispose of the packaging in a suitable waste collection container to recycle it.

Before disposal of the appliance.

1. Disconnect the main plug from the main socket.
2. Cut off the main cable and discard it.

| | Correct disposal of this product |
|--|--|
|  | <p>This symbol on the product, or in its packaging, indicates that this product may not be treated as household waste. Instead, it should be taken to the appropriate waste collection point for the recycling of electrical and electronic equipment. By ensuring this product is disposed of correctly, you will help prevent potential negative consequences for the environment and human health, which could otherwise be caused by the inappropriate waste handling of this product. For more detailed information about the recycling of this product, please contact your local council, your household waste disposal service, or the shop where you purchased the product.</p> |

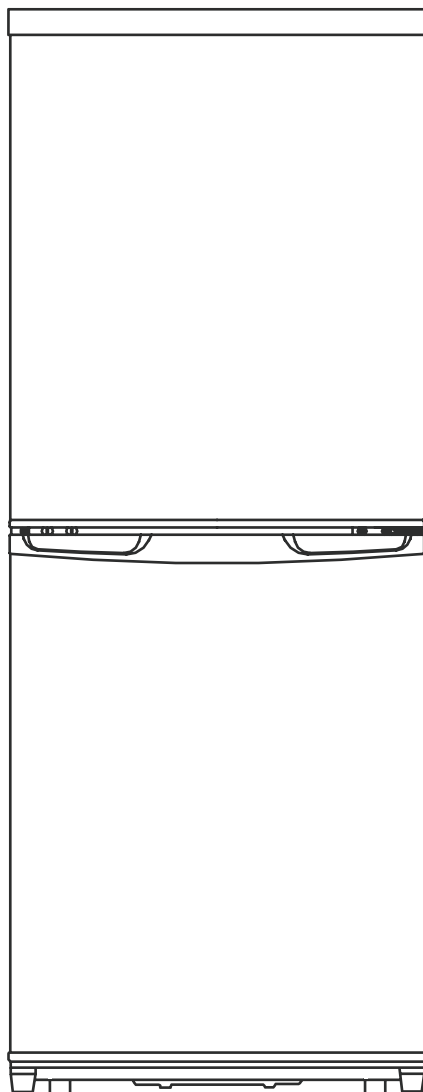
РУКОВОДСТВО ПОЛЬЗОВАТЕЛЯ

Hisense

ХОЛОДИЛЬНИК

RD-30WC4SAW

RD-30WC4SAS



www.diorit.ru



АГ 88

Уважаемый покупатель!

Компания «Интер-Трейд» поздравляем Вас с приобретением высококачественной бытовой техники и гарантирует надежную работу холодильников-морозильников Hisense при соблюдении всех требований инструкции по эксплуатации. Компания также выражает свою уверенность, что приобретенное Вами Изделие принесет Вам удовольствие и станет надежным помощником в быту на долгое время.

СОДЕРЖАНИЕ

| | |
|---|---------|
| 1. Технические характеристики | стр. 1 |
| 2. Описание | стр. 2 |
| 3. Установка холодильника | стр. 3 |
| 4. Использование холодильника | стр. 6 |
| 5. Уход за холодильником и его обслуживание | стр. 9 |
| 6. Возможные проблемы с прибором и пути их устранения | стр. 10 |
| 7. Тонкости по экономии электроэнергии | стр. 12 |
| 8. Модельный ряд Hisense | стр. 13 |
| 9. Условия гарантийных обязательств | стр. 15 |
| 10. Гарантийный талон | стр. 17 |

1. ТЕХНИЧЕСКИЕ ХАРАКТЕРИСТИКИ

ХОЛОДИЛЬНИК

Модель **RD-30WC4SAW/S**

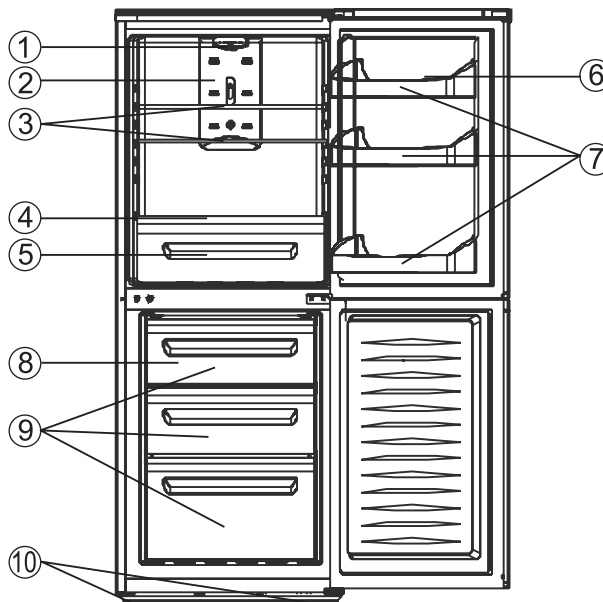
| ОБЩИЕ ДАННЫЕ | |
|---|--|
| Общий объем брутто, л | 224 |
| Тип | двухкамерный, Combi |
| Тип управления | Механический |
| Система размораживания | NO FROST |
| Напряжение, Вт / Частота, Гц | 220-240 / 50 |
| Климатический класс | N, ST |
| Класс энергопотребления | A |
| Уровень энергопотребления, кВт/год | 315 |
| Уровень шума, дБ | 45 |
| Хладагент | R600a (36 г) |
| Компрессор | JIAXIPERA, model NU1112Y (Improved) |
| Количество компрессоров, шт. | 1 |
| Количество дверей, шт. | 2 |
| Панель управления | нет |
| Настраиваемый термостат | да |
| ХОЛОДИЛЬНОЕ ОТДЕЛЕНИЕ | |
| Объем, л | 165 |
| Перенавешиваемая дверь | да |
| Количество полок (стекло), шт. | 3 |
| Количество полок на дверце (пластик), шт | 3 |
| Отделение для овощей и фруктов (ящик выдвижной), шт | 1 |
| Подставка для яиц | 2 |
| Распределитель потоков воздуха | да |
| МОРОЗИЛЬНОЕ ОТДЕЛЕНИЕ | |
| Морозильное отделение | **** (4 звезды) |
| Объем, л | 59 |
| Расположение | нижнее |
| Ящик выдвижной (пластик), шт. | 3 |
| Полка (стекло), шт. | 1 |
| Лоток для льда | 1 |
| Мощность замораживания, кг/сутки | 3 |
| Автономное сохранение холода, ч | 10 |
| РАЗМЕРЫ И ВЕС | |
| Без упаковки (без ручки), мм (ШЧГЧВ) | 554x551x1687 |
| С упаковкой, мм (ШЧГЧВ) | 580x580x1740 |
| Глубина с открытой дверью, мм | 1080 |
| Вес нетто, кг | 53 |
| Вес брутто, кг | 58 |
| Цвет | W - белый, S - серебристый/ нержавейка |
| ОСОБЕННОСТИ | |
| Многоточечная система охлаждения (мороз/холод) | да/нет |
| Антибактериальное покрытие | нет |
| Перенавешиваемые двери | да |
| Режим "Отпуск" | нет |
| Суперзамораживание | нет |
| Система циркуляции воздуха | да |
| Звуковая сигнализация открытой двери | нет |
| Защита от детей | нет |

Перед использованием холодильника внимательно прочтите инструкцию по использованию прибора. Сохраняйте ее в течение всего срока эксплуатации прибора.

2. ОПИСАНИЕ

(Холодильное и морозильное отделения)

Холодильное отделение



Морозильное отделение

1. Лампа подсветки в холодильнике
2. Распределитель потоков воздуха в холодильнике
3. Полка
4. Крышка отделения для овощей
5. Ящик для овощей
6. Полка для хранения яиц (внутри дверной полочки)
7. Дверная полка
8. Поднос для льда (внутри ящика)
9. Ящики в морозильной камере
10. Ножки для регулировки устойчивости холодильника

Примечание:

Благодаря постоянному совершенствованию наших продуктов Ваш холодильник может незначительно отличаться от описания в инструкции, но его функции и методы использования остаются прежними.

Холодильное отделение

Холодильное отделение используется для хранения продуктов, которые не требуют замораживания. Температура в различных отделах холодильного отделения различна для хранения различных продуктов.

| | |
|--|--|
| | <p>Отделение 1: Для хранения тортов, приготовленных продуктов, консервированных продуктов, мяса, молочных продуктов и т.д.</p> <p>Отделение 2: Внимание! Здесь находятся выходы холодного воздуха. Холодный воздух равномерно выдувается из отверстий в холодильное отделение. Хранение продуктов близко или рядом с выходом холодного воздуха может вызвать блокировку потока воздуха и недостаточное охлаждение.</p> <p>Отделение 3: Для хранения фруктов, овощей и салата.</p> <p>Отделение 4: Для хранения яиц, консервированных жидкостей, жидкостей в бутылках, упакованных продуктов и т.д.</p> <p>Внимание! Не перегружайте полки тяжелыми продуктами.</p> |
|--|--|

Полка холодильного отделения

В холодильном отделении несколько регулируемых полок, которые можно извлечь для очистки.


Ящик для хранения овощей

Используется для хранения овощей и фруктов. При наличии воды в ящике продукты начнут гнить. Поэтому перед размещением продуктов на хранение удалите всю воду.

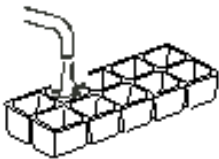
Крышка отделения для овощей

Ее назначение – контроль над температурой в ящике для предотвращения потери влаги в хранимых продуктах.

Морозильное отделение

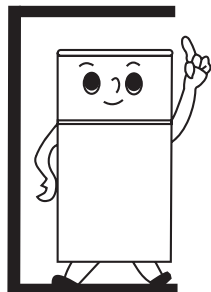
| | |
|---|---|
|  | <p>Предназначено для замораживания и хранения замороженных продуктов.</p> <p>Внимание: В ходе хранения бутылок в морозильной камере жидкость внутри бутылок может замерзнуть и разорвать бутылку. Этого не произойдет, если объем жидкости или сока в бутылке не будет превышать 80% от объема бутылки.</p> |
|---|---|

Поднос для льда

| | |
|--|---|
|  | <p>Для приготовления льда заполните ячейки подноса холодной кипяченой водой на 4/5 их емкости и поместите поднос в морозильное отделение на 2 часа. Для выемки льда слегка скрутите форму для отделения кубиков льда от формы. Не перегибать форму – она может сломаться.</p> |
|--|---|

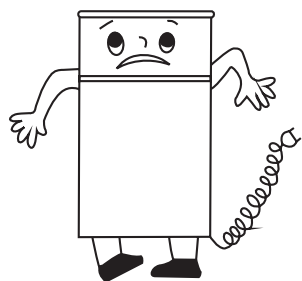
3. УСТАНОВКА ХОЛОДИЛЬНИКА

Хорошая вентиляция



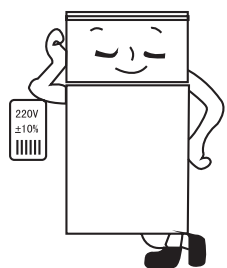
Для легкого распределения тепла, высокой эффективности охлаждения и низкого потребления энергии вокруг холодильника должно быть свободное пространство. Расстояние от стены до задней стенки холодильника должно составлять 75 мм, расстояние между боковой стенкой и стеной не менее 100 мм и свободное пространство над верхней крышкой должно быть не менее 100 мм. У вас должно быть достаточно места для открывания дверцы холодильника на 160°.

Шнур питания



Шнур нельзя удлинять или скручивать в катушку. Более того, запрещается располагать шнур рядом с компрессором, находящимся на задней стенке холодильника. Температура компрессора достаточно высокая в ходе работы прибора. Касание проводом компрессора может привести к его плавлению и вызвать утечку электричества.

Подача питания




Холодильник питается от однофазной сети переменного тока с напряжением 220-240 V, 50 Hz. При наличии колебаний напряжения в месте использования холодильника используйте автоматический регулятор напряжения мощностью более 350 Ватт. Холодильник должен использовать отдельную розетку, а не делить ее с прочими электроприборами. Вилка шнура питания должна соответствовать розетке с проводом заземления.

Защита от влаги

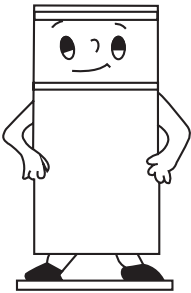


Не устанавливайте холодильник во влажном месте, чтобы избежать образования ржавчины на металлических частях. Не распылять воду на холодильник – это может привести к нарушению изоляции и вызвать утечку тока.

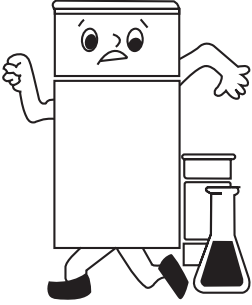
Установите вдали от источников тепла

| | |
|---|---|
|  | <p>Установите холодильник вдали от источников тепла и воздействия прямых солнечных лучей.</p> |
|---|---|

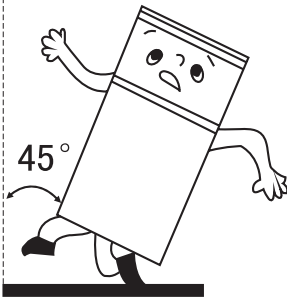
Стабильная установка

| | |
|--|---|
|  | <p>Пол, на котором будет установлен холодильник, должен быть плоским и прочным. Не ставить холодильник на какой-либо мягкий материал, например, вспененный пластик. Если холодильник не установлен стабильно, вы сможете выполнить регулировку передних ножек для выравнивания холодильника. Не устанавливать рядом с холодильником предметы, вызывающие эхо.</p> |
|--|---|

Вдали от опасных материалов

| | |
|---|---|
|  | <p>Ваш холодильник должен располагаться вдали от горючих и взрывоопасных веществ (газ, нефть, спирт, лак и т.д.). Упомянутые вещества не должны храниться в холодильнике.</p> <p>Примечание: Запрещается использовать холодильник вне помещения.</p> |
|---|---|

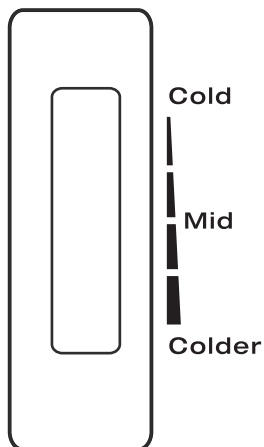
Перемещение холодильника

| | |
|---|---|
|  | <p>При наклоне или перемещении холодильника угол его наклона не должен превышать 45°.</p> |
|---|---|

4. ИСПОЛЬЗОВАНИЕ ХОЛОДИЛЬНИКА

Перед использованием удалите все фиксирующие пленки. Вымойте внутреннюю часть водой комнатной температуры с добавлением небольшого количества питьевой соды (5 мл на 0.5 литра воды). Не использовать мыло или моющее средство – их запах может сохраниться надолго. После очистки тщательно высушите поверхности.

Слайдер регулировки температуры в холодильном отделении

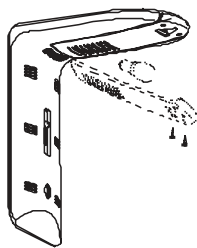


Температурный регулятор в виде слайдера используется для регулировки температуры в холодильном и морозильном отделениях. Регулятор используется для баланса распределения объема воздушного потока в каждом из отделений. Перемещение слайдера вниз вызывает увеличение воздушного потока в холодильном отделении и уменьшение воздушного потока в морозильном отделении. Поэтому холодильное отделение будет охлаждаться быстрее. Для нормальной работы прибора регулятор слайдера должен находиться в центральном положении (Mid). Вам не потребуется регулировать температурный регулятор, если слайдер остается в положении нормальной настройки.

Если в камере охлаждения становится слишком холодно при положении переключателя в положении “Cold” (минимально), просто установите переключатель в положение “Mid”. Если температура повышается при установке переключателя в положении «Colder», просто установите переключатель в положение “Mid”.

Замена лампы подсветки

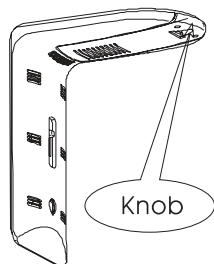
Перед удалением лампы подсветки отключите подачу питания на холодильник. Отказ от отключения питания может привести к удару током или персональной травме.



1. Используйте крестообразную отвертку для удаления шурупов.
2. Удалите крышку лампы.
3. Выкрутите лампу с учетом направления, показанного на рисунке.
4. Выполните замену на лампу в 10 ватт для холодильников идентичного размера и формы.
5. Установите на место крышку лампы.






Включение прибора и настройка термостата

Включите свой холодильник путем его подключения в сеть питания и через настройку термостата. Ручка настройки термостата находится в верхней части.



Термостат автоматически регулирует температуру в морозильном и холодильном отделениях в зависимости от того, на какой цифре установлена ручка термостата.

1. Если температура окружающей среды высокая (например, летом) установите ручку термостата в положение 5,6 или 7.
2. Если температура окружающей среды низкая (например, зимой), установите ручку термостата в положение 1 или 2. В обычных условиях установите ручку

| | |
|---|---|
| <p>Размораживание Холодильник контролируется таймером и может размораживаться автоматически. Талая вода попадает на поддон испарителя, расположенного в верхней части компрессора, и испаряется автоматически.</p> | |
| <p>Порядок размещения продуктов</p> | |
|  | <p>Не перегружайте холодильник продуктами. Это окажет влияние на циркуляцию холодного воздуха и приведет к увеличению потребления мощности.</p> |
|  | <p>Упаковывайте продукты (можно использовать даже чистую бумагу) для предотвращения их порчи или высушивания в результате испарения влаги.</p> |
|  | <p>Удалите воду с продуктов, чтобы предотвратить попадание капель воды с полок на корпус или образование ледяной корочки.</p> |
|  | <p>Продукты не должны располагаться слишком близко к задней стенке или выходу талой воды. Это приведет к блокировке стока воды и образованию льда.</p> |
|  | <p>Не ставьте в холодильник слишком большие и слишком тяжелые объемы продуктов и прочее, что может привести к поломке полок и решеток холодильника.</p> |

Перевешивание дверцы

Сторону открывания дверцы можно изменить с правой на левую, если этого требуют условия установки холодильника.

Прежде, чем вы положите холодильник на заднюю стенку для получения доступа к основе холодильника, помните о том, что холодильник должен располагаться на пенной мягкой упаковке, чтобы избежать повреждения трубок охлаждения на задней стенке холодильника.

Меры предосторожности:

1. Выключите холодильник.
2. Отключите сетевое питание.
3. Удалите из холодильника все продукты.
4. Удалите из холодильника все полки и ящики

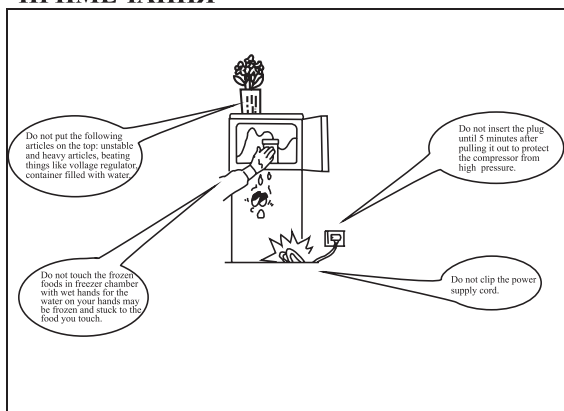
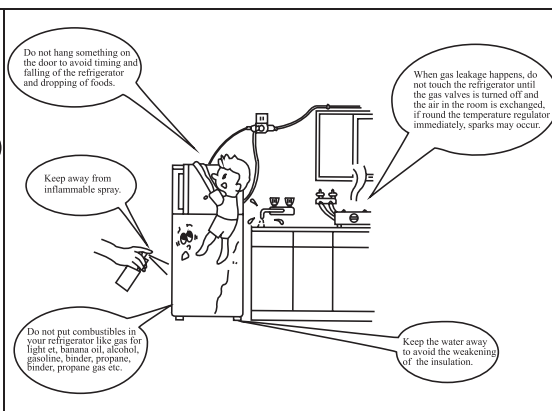
| | |
|---|--|
|  | <p>1. Поставьте холодильник. С использованием отвертки с плоской головкой удалите крышки 4-х шурупов в задней части крышки холодильника.</p> |
|  | <p>2. Открутите шурупы и поднимите крышку. Удалите ее.</p> |
|  | <p>3. Сначала удалите 3 болта и далее удалите верхний шарнир, который удерживает дверцу на месте. Приподнимите верхнюю дверцу и поместите ее на мягкой поверхности, чтобы предотвратить появления царапин.</p> |

| | |
|--|--|
| | <p>4. Удалите 2 фланцевых шурупа, затем удалите средний шарнир, который удерживает нижнюю дверцу на месте. Поместите дверцу на мягкой поверхности.</p> |
| | <p>5. Перенесите крышку отверстия шарнира с правой стороны на отверстия с левой стороны, как показано на рисунке.</p> |
| | <p>6. Удалите обе регулировочные ножки и удалите скобу нижнего шарнира путем откручивания болтов.</p> |
| | <p>7. Открутите и удалите штырь нижнего шарнира, переверните скобу и снова установите на место. Установите на место штырь нижнего шарнира. Установите на место обе регулировочные ножки. Установите нижнюю дверцу холодильника в правильное положение. Зафиксируйте уровень дверцы, установите штырь нижнего шарнира в нижнее отверстие в двери. Далее затяните болты.</p> |
| | <p>8. Разверните центральный шарнир на 180 градусов и установите его в положение слева. Установите штырь центрального шарнира в отверстие нижней дверцы и затяните болты. Установите верхнюю дверцу в нормальное положение. Закрепите уровень дверцы. Установите штырь среднего шарнира в нижнее отверстие верхней дверцы.</p> |
| | <p>9. С вновь собранным верхним шарниром в отверстии верхнего левого угла верхней дверцы, закрепите верхний шарнир с помощью 3 шурупов. Переместите декоративный блок верхней крышки на другую сторону. Установите на место верхнюю крышку с использованием шурупов. Установите на место круглые заглушки отверстий.</p> |

ПОСЛЕ ИЗМЕНЕНИЯ СТОРОНЫ НАВЕШИВАНИЯ ДВЕРЦЫ СНАЧАЛА ВЫПОЛНИТЕ СЛЕДУЮЩЕЕ:

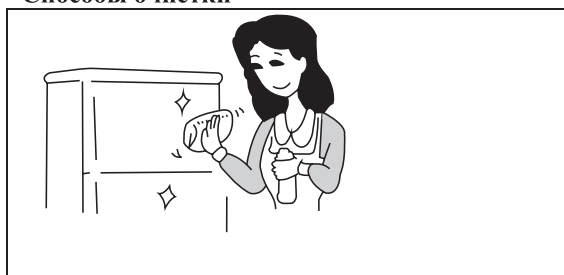
| | |
|--|---|
| | <p>Сдвинуть аксессуар В с верхней крышки верхней дверцы и установить аксессуар А, который является маленькой удаляемой частью из пакета с аксессуарами.</p> |
|--|---|

ПРИМЕЧАНИЯ

| | |
|--|--|
|  |  |
| <p>1. Не ставить на крышку холодильника следующие предметы: неустойчивые и тяжелые предметы бьющиеся, предметы типа регулятора напряжения, емкости с водой.</p> <p>2. Не касайтесь рукой замороженных продуктов в морозильной камере - ваши мокрые руки могут прилипнуть к замороженным продуктам.</p> <p>3. После отключения повторное включение вилки питания возможно через 5 минут – это необходимо для защиты компрессора от высокого давления.</p> <p>4. Не скручивайте шнур сетевого питания.</p> | <p>5. Не вешайте ничего на дверцу холодильника, чтобы избежать его падения и выпадения продуктов из холодильника.</p> <p>6. Холодильник должен находиться вдали от воспламеняющихся аэрозолей.</p> <p>7. Не класть в холодильник взрывчатые вещества (газ для зажигалки, спирт, бензин, пропан, газ-пропан и т.д.).</p> <p>8. В случае утечки газа не касайтесь холодильника до тех пор, пока не закрыт клапан подачи газа и не проветрена комната. Если повернуть температурный регулятор, может произойти искрение.</p> <p>9. Не допускать попадания воды на холодильник – это приводит к ослаблению изоляции.</p> |

5. УХОД ЗА ХОЛОДИЛЬНИКОМ И ЕГО ОБСЛУЖИВАНИЕ

Способы очистки

| | |
|---|---|
|  | <ol style="list-style-type: none"> 1. Протрите холодильник мягкой тканью с использованием теплой воды и нейтрального моющего средства. 2. Затем протрите холодильник сухой тканью. 3. Особенно грязные места можно очистить с применением спирта. 4. Очистку холодильника выполнять каждый месяц. |
|---|---|

Уход за пластиковыми поверхностями

Если пластиковые части остаются загрязненными маслом (растительным или животным) длительное время, то они быстро состарятся, сломаются и будут иметь плохой запах. Чтобы продлить срок службы рекомендуется выполнять регулярную очистку холодильника.

Электрические части

Чтобы избежать утечки тока используйте сухую ткань для очистки электрических частей прибора.

Примечания

1. В целях безопасности отключайте шнур питания для выполнения любой очистки.
2. Запрещается лить воду непосредственно на холодильник – это приводит к ослаблению электрической изоляции и образованию ржавчины на металлических частях.

3. Рекомендуется применение нейтрального моющего средства. Перечисленные ниже вещества могут повредить лаковое покрытие и пластиковые поверхности: обычное моющее средство, туалетное мыло, абразивный порошок, горячая вода, банановое масло, бензин, и спирт.

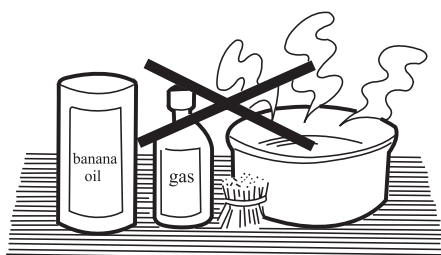
В случае отключения питания

- Не размещать продукты в холодильнике и сократить время открывания дверцы.
- Поместите кубики льда в верхнюю часть холодильного отделения.

Примечания

После выполнения очистки холодильника необходимо проверить следующие объекты:

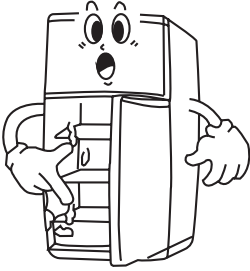
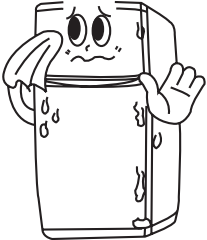
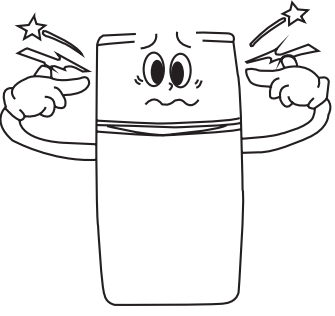
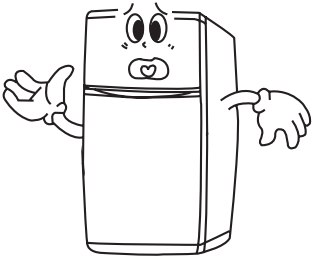
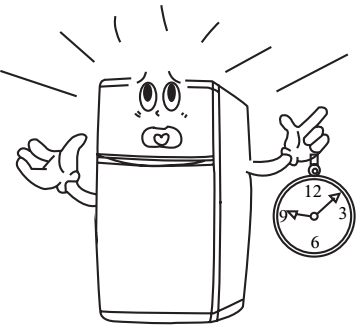
- (1) Целостность шнура питания и сетевой вилки
- (2) Правильность установки вилки в розетку
- (3) Установку провода заземления
- (4) Отсутствие блокировки дренажного выхода

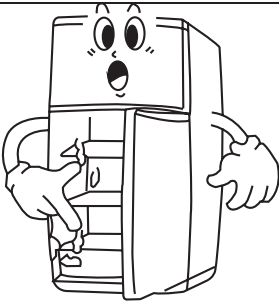



6. ВОЗМОЖНЫЕ ПРОБЛЕМЫ С ПРИБОРОМ И ПУТИ ИХ УСТРАНЕНИЯ

При наличии проблем с холодильником проверьте себя по таблице ниже прежде, чем вы обратитесь за ремонтом.

| | |
|--|---|
| | <p>Остановка работы Холодильник работает под воздействием прямых солнечных лучей или возле источников тепла. Неправильно установлена вилка шнура питания. Окружающая температура ниже 10°C или не включен переключатель компенсации температуры.</p> |
| | <p>Недостаточное охлаждение Слишком большое количество продуктов блокирует поток воздуха в холодильнике. Неплотно закрыта дверца холодильника. Имеет место утечка холодного воздуха из-за повреждения или изгиба уплотните дверцы. В холодильник поместили слишком много горячих продуктов. Холодильник работает под воздействием прямых солнечных лучей или возле источников тепла.</p> |

| | |
|---|---|
|  | <p>Звук бегущей воды Вы легко можете принять движение хладагента за звук бегущей воды. Это не нарушение в работе холодильника.</p> |
|  | <p>Холодильник нагревается по бокам и в передней части Это не нарушение в работе холодильника. В этих местах находятся конденсаторы, которые нагреваются во время работы холодильника.</p> |
|  | <p>Явление росы по обеим сторонам холодильника Во время влажных сезонов (например, в дождливую погоду) роса может появляться по обеим сторонам холодильника равносильно тому, как капли росы могут появляться на чашке, когда в нее наливают холодную воду. Это явление не считается нарушением в работе холодильника. Просто удалите капли с помощью сухой ткани.</p> |
|  | <p>Необычный шум Холодильник не установлен стабильно. Холодильник касается стены. Выпадает дренажный поддон. Наружные трубки охлаждения касаются друг друга или трубки охлаждения касаются корпуса холодильника.</p> |
|  | <p>Работа длительное время Может быть вызвана слишком высокой температурой окружающей среды и установкой ручки термостата в холодильном отделении в положение “STRONG” или “COLDER”. В холодильнике размещено слишком большое количество продуктов. Дверь не закрывается плотно или поврежден уплотнитель на дверце холодильника. Слишком часто открывается дверца холодильника.</p> |

| | |
|---|--|
|  | <p>Роса внутри корпуса холодильника Слишком высокая температура окружающей среды и слишком длительное открывание дверцы холодильника. Жидкие продукты не была запечатаны перед размещением на хранение.</p> |
|  | <p>Замерзшие продукты в холодильном отделении Ручка термостата установлена в положение “STRONG”. Температура окружающей среды ниже 5°C.</p> |

Примечания

1. Запрещается разбирать любые части, закрепленные шурупами. За ремонтом обращаться только в сервисный центр.
2. Запрещается выполнять проверку любых электрических частей при включенном холодильнике.

ПРЕДУПРЕЖДЕНИЯ:

- Не блокировать вентиляционные отверстия.
- Не использовать механические устройства или прочие средства для ускорения процесса размораживания. Применять только рекомендуемые изготовителем средства.
- Не использовать внутри холодильника электрические приборы, если они не рекомендованы изготовителем холодильника.
- Поврежденный шнур питания должен заменять изготовитель, его агент или специалист сервисного центра. Это необходимо для устранения опасности удара током.
- Будьте осторожны и не вызовите пожар в ходе обслуживания холодильника – хладагент является горючим веществом.
- Не выбрасывать бесполезные или старые холодильники, чтобы не загрязнять окружающую среду. Благодарим Вас за сотрудничество.
- Не повреждайте цепь охлаждения (относится только к моделям, на которых данная цепь доступна для пользователей).

7. ТОНКОСТИ ПО ЭКОНОМИИ ЭЛЕКТРОЭНЕРГИИ

1. Не размещать в холодильнике теплые продукты. Дайте теплым продуктам сначала остыть. Не устанавливайте холодильник возле кухонных плит, радиаторов и других источников тепла. Высокая температура окружающей среды вызовет более частую работу компрессора.
2. Для более эффективной работы системы охлаждения строго соблюдайте рекомендуемые расстояния со всех сторон холодильника. Строго рекомендуемое расстояние более 50 мм.
3. В ходе работы холодильника не открывать дверцу слишком часто и не оставлять ее открытой длительное время без надобности.
4. Рационально выбирайте настройку температуры охлаждения.
5. Продукты должны располагаться вдали от распределителя холодного воздуха. Более того, необходимо строго соблюдать размещение допустимого количества продуктов с целью обеспечения нормальной циркуляции холодного воздуха.
6. На схеме показано рациональное размещение ящиков, корзин и полочек для экономного потребления энергии. Если пользователь изменяет данную композицию, то это приводит к увеличению потребления электроэнергии.

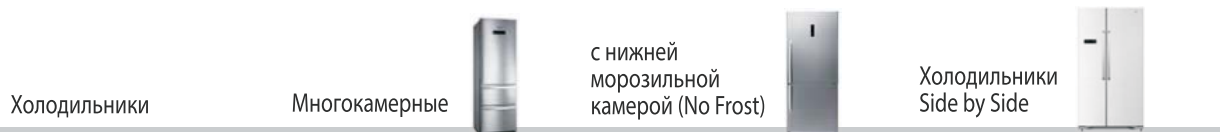
Модельный ряд Hisense

МОРОЗИЛЬНИКИ



| Модель. | RS-30WC4S | RS-24WC4S | RS-20WC4S | RS-22DC4S | RS-11DC4S |
|----------------------------------|--------------|--------------|--------------|--------------|--------------|
| Общий объем | | | | | |
| Морозильник (л) | 230 | 176 | 139 | 160 | 80 |
| Холодильная камера (л) | / | / | / | / | / |
| Морозильная камера (л) | 230 | 176 | 139 | 160 | 80 |
| Основные характеристики | | | | | |
| Тип управления | Электронный | Механический | Механический | Механический | Механический |
| Система No Frost | Да | Да | Да | Нет | Нет |
| Хладагент | R600a | R600a | R600a | R600a | R600a |
| Климатический класс | N,ST,T | N,ST | N,ST | N,ST(N,ST,T) | N,ST(N,ST,T) |
| Класс энергопотребления | A | A | A | A | A |
| Холодильное отделение: | | | | | |
| Полки | / | / | / | / | / |
| Полки на дверце | / | / | / | / | / |
| Ящик для овощей и фруктов | / | / | / | / | / |
| Крышка ящика для хранения овощей | / | / | / | / | / |
| Морозильное отделение: | | | | | |
| Класс морозильной камеры | ★★★★ | ★★★★ | ★★★★ | ★★★★ | ★★★★ |
| Ящика | 8 | 5 | 4 | 4 | 4 |
| Полки | 3 | 5 | 4 | / | / |
| Габариты | | | | | |
| Габариты (ШxГxВ) (мм) | 596x623x1763 | 554x571x1687 | 554x551x1440 | 554x551x1440 | 545x570x845 |

Примечание: Производитель и импортер оставляет за собой право изменять конструкцию, технические характеристики, функции, внешний вид и комплектацию товара без предварительного уведомления. Вся представленная в инструкции информация, касающаяся комплектаций, технических характеристик, функций, цветовых сочетаний носит информационный характер и ни при каких условиях не является публичной офертой



Холодильники

Многокамерные

с нижней морозильной камерой (No Frost)

Холодильники Side by Side

| Модель. | RT-41WC4SA | RD-50WC4SZA | RC-76WS4SAA |
|----------------------------------|--------------|-------------------------|-------------------------|
| Общий объем | | | |
| Холодильник (л) | 300 | 385 | 562 |
| Холодильная камера (л) | 234 | 286 | 370 |
| Морозильная камера (л) | 66 | 99 | 192 |
| Основные характеристики | | | |
| Тип управления | электронный | электронный | электронный |
| Система No Frost | Да | Да | Да |
| Хладагент | R600a | R600a | R600a |
| Климатический класс | N,ST,T | 10~43 C | ST |
| Класс энергопотребления | A+ | A+ | A+ |
| Холодильное отделение: | | | |
| Полки | 3 | 3 | 3 |
| Полки на дверце | 4 | 6 | 5+1 cover |
| Ящик для овощей и фруктов | 1 | 1 | 2 |
| Крышка ящика для хранения овощей | 1 | 1 | 2 |
| Морозильное отделение: | | | |
| Класс морозильной камеры | ★★★★ | ★★★★ | ★★★★ |
| Ящика | 2 | 3 | 2 |
| Полки | / | / | 3 |
| Габариты | | | |
| Габариты (ШxГxВ) (мм) | 590*741*1857 | 680*735*1756 (с ручкой) | 912*726 (с ручкой)*1766 |

Примечание: Производитель и импортер оставляет за собой право изменять конструкцию, технические характеристики, функции, внешний вид и комплектацию товара без предварительного уведомления. Вся представленная в инструкции информация, касающаяся комплектаций, технических характеристик, функций, цветовых сочетаний носит информационный характер и ни при каких условиях не является публичной офертой



Холодильник с нижней морозильной камерой (No Frost)



| Модель. | RD-41WC4S | RD-30WC4S | RD-42WC4S |
|----------------------------------|--------------|--------------|-----------------|
| Общий объем | | | |
| Холодильник (л) | 318 | 224 | 321 |
| Холодильная камера (л) | 234 | 165 | 232 |
| Морозильная камера (л) | 84 | 59 | 89 |
| Основные характеристики | | | |
| Тип управления | Механический | Механический | Электронный |
| Система No Frost | Да | Да | Да |
| Хладагент | R600a | R600a | R600a |
| Климатический класс | N,ST,T | N,ST | N,ST,T |
| Класс энергопотребления | A | A | A/A+ |
| Холодильное отделение: | | | |
| Полки | 3 | 2 | 4 |
| Полки на дверце | 4 | 3 | (3 Big+2 Small) |
| Ящик для овощей и фруктов | 1 | 1 | 2 Small |
| Крышка ящика для хранения овощей | 1 | 1 | 1 |
| Морозильное отделение: | | | |
| Класс морозильной камеры | ★★★★ | ★★★★ | ★★★★ |
| Ящика | 3 | 3 | 4 |
| Полки | 1 | 1 | / |
| Габариты | | | |
| Габариты (ШxГxВ) (мм) | 590x645x1850 | 554x551x1687 | 595x614x1970 |

Примечание: Производитель и импортер оставляет за собой право изменять конструкцию, технические характеристики, функции, внешний вид и комплектацию товара без предварительного уведомления. Вся представленная в инструкции информация, касающаяся комплектаций, технических характеристик, функций, цветовых сочетаний носит информационный характер и ни при каких условиях не является публичной офертой

Холодильник с верхней морозильной камерой (No Frost)



| Модель | RD-65WR4S | RD-53WR4S | RS-13DR4S | RS-06DR4S |
|----------------------------------|---------------------------------|---------------------------------|--------------|--------------|
| Общий объем | | | | |
| Холодильник (л) | 490 | 400 | 100 | 42 |
| Холодильная камера (л) | 116 | 305 | 87 | 36 |
| Морозильная камера (л) | 374 | 95 | 13 | 6 |
| Основные характеристики | | | | |
| Тип управления | Электронный | Электронный | Механический | Механический |
| Система No Frost | Да | Да | Нет | Нет |
| Хладагент | R600a | R600a | R600a | R600a |
| Климатический класс | N,ST,T | N,ST,T | N,ST | N,ST |
| Класс энергопотребления | A | A | A+ | A+ |
| Холодильное отделение: | | | | |
| Полки | 2 | 2 | 1 | 1 |
| Полки на дверце | (3 Full Width+ 2 Half Width) | (3 Full Width+ 2 Half Width) | 3 | 2 |
| Ящик для овощей и фруктов | 1 | 1 | 1 | / |
| Крышка ящика для хранения овощей | 2 | 2 | 1 | / |
| Морозильное отделение: | | | | |
| Класс морозильной камеры | ★★★★ | ★★★★ | ★★★★ | ★★★★ |
| Ящика | / | / | / | / |
| Полки | 1 | 1 | / | / |
| Габариты | | | | |
| Габариты (ШxГxВ) (мм) | 790x735x1756 (с ручкой) | 680x735x1756 (с ручкой) | 494x494x847 | 439x470x510 |

Примечание: Производитель и импортер оставляет за собой право изменять конструкцию, технические характеристики, функции, внешний вид и комплектацию товара без предварительного уведомления. Вся представленная в инструкции информация, касающаяся комплектаций, технических характеристик, функций, цветовых сочетаний носит информационный характер и ни при каких условиях не является публичной офертой

ГАРАНТИЙНЫЙ ТАЛОН

Уважаемый покупатель!

Компания «Интер-Трейд» поздравляет Вас с приобретением высококачественной бытовой техники и гарантирует надежную работу холодильников-морозильников **Hisense** при соблюдении всех требований инструкции по эксплуатации. Компания также выражает свою уверенность, что приобретенное Вами Изделие принесет Вам удовольствие и станет надежным помощником в быту на долгое время.

Внимание! Важная информация для потребителя! Во избежание недоразумений убедительно Просим Вас:

- Внимательно изучить Инструкцию по эксплуатации Изделия, условия гарантийных обязательств, проверить правильность заполнения гарантийного талона.
- Тщательно проверить внешний вид Изделия и его составляющие. В случае проблем, все претензии по внешнему виду предъявляйте продавцу при принятии товара.
- Сохранить сопроводительные документы (чек, квитанцию и иные документы), подтверждающие дату и место покупки.

УСЛОВИЯ ГАРАНТИЙНЫХ ОБЯЗАТЕЛЬСТВ

1. Гарантийное обслуживание предусматривает бесплатный ремонт и/или замену запчастей, комплектующих в течение гарантийного срока эксплуатации.
2. Гарантийное обслуживание распространяется на Продукцию **Hisense**, проданную через официальные каналы дистрибуции компании «Интер-Трейд».
3. Гарантия действительна только на территории РФ. Гарантийное обслуживание не распространяется на продукцию **Hisense**, приобретенную за пределами РФ.
4. Гарантийный срок эксплуатации составляет 12 (двенадцать) месяцев с момента продажи. Срок службы Изделия составляет 10 (десять) лет с даты изготовления.
5. Гарантийное обслуживание неисправной техники осуществляется авторизованными сервисными центрами при предъявлении заполненного гарантийного талона или товарного и кассового чека с отметкой о дате продажи Изделия, заверенные печатью Продавца. Решение вопроса о целесообразности ремонта или замены неисправного оборудования принимается сервисным центром на основании внутренних сервисных регламентов, если это не противоречит законодательству страны. Решение вопроса по месту проведения ремонта – на дому потребителя (проживающего на территории, обслуживаемой сервисной службой), либо в мастерской принимается сервисным центром.
6. Гарантийное обслуживание не производится в случаях:
 - Если Изделие, предназначенное для личных, семейных, домашних нужд, использовалось в производственных, профессиональных, коммерческих или иных целях, не соответствующих его прямому назначению.
 - Если неисправность возникла после передачи Изделия потребителю в результате нарушения им правил и условий эксплуатации, транспортировки, установки, хранения, изложенных в Инструкции по эксплуатации
 - Если Изделие имеет механические повреждения, повлиявшие на возникновение неисправности.
 - Когда ремонт или техническое освидетельствование производятся организацией или лицами, не уполномоченными на проведение данных действий в отношении продукции **Hisense**.
 - Если гарантийный талон признается недействительным. Гарантийный талон может быть признан недействительным - при отсутствии правильно и четко указанных: модели, серийного номера изделия, даты продажи, четких печатей фирмы продавца, подписи покупателя; при несовпадении серийного номера и модели Изделия с указанными в гарантийном талоне; когда данные, указанные в гарантийном талоне изменены, стерты или переписаны.
 - Если неисправность вызвана воздействием или проникновением внутрь Изделия посторонних предметов, жидкостей, веществ, насекомых, животных.
 - Если неисправность Изделия была вызвана несоответствием Государственным техническим стандартам и нормам питающих сетей.
 - Если неисправность возникла в результате изменения конструкции Изделия, не предусмотренной Производителем.
 - Недостатки изделия были вызваны действием непреодолимых сил (пожар, наводнение, землетрясение и т.п.), несчастными случаями, умышленными или неосторожными действиями потребителя или третьих лиц.
7. Компания «Интер-Трейд» или ее партнеры, ни при каких условиях, не несут ответственности за возможный вред, прямо или косвенно нанесенный продукцией **Hisense** людям, домашним животным, имуществу в случае, если это произошло в результате несоблюдения правил и условий эксплуатации, установки изделия, умышленных или неосторожных действий потребителя или третьих лиц.
8. Настоящая гарантия не ограничивает определенные законом права потребителей, но дополняет и уточняет оговоренные законом права и обязанности сторон, возникающие при заключении договора купли-продажи.

**По всем вопросам гарантийного и сервисного обслуживания обращайтесь по телефону:
8-800-700-12-25
(звонок по России бесплатный)**

Заполняется продавцом

Изделие _____

Модель _____

Серийный номер _____

Дата продажи _____

Импортер: **ООО «Интер-Трейд»**

Фирма продавец:

_____ (наименование)

_____ (адрес)

_____ (подпись)



Заполняется покупателем

Исправное изделие в полном комплекте, с инструкцией по эксплуатации получил; с условиями гарантии ознакомлен и согласен.

Подпись покупателя:

**По всем вопросам гарантийного и сервисного обслуживания обращайтесь по телефону:
8-800-700-12-25
(звонок по России бесплатный)**

Заполняется сервисным центром

_____ (дата приема)

_____ (дата выдачи)

_____ (особые отметки)

ПЕЧАТЬ СЕРВИСНОГО ЦЕНТРА

1

_____ (дата приема)

_____ (дата выдачи)

_____ (особые отметки)

ПЕЧАТЬ СЕРВИСНОГО ЦЕНТРА

2

_____ (дата приема)

_____ (дата выдачи)

_____ (особые отметки)

ПЕЧАТЬ СЕРВИСНОГО ЦЕНТРА

3

_____ (дата приема)

_____ (дата выдачи)

_____ (особые отметки)

ПЕЧАТЬ СЕРВИСНОГО ЦЕНТРА

4

Заполняется продавцом

Отрывной талон №1

Изделие _____

Модель _____

Серийный номер _____

Дата продажи _____

Фирма-продавец _____

ПЕЧАТЬ
ФИРМЫ - ПРОДАВЦА

Отрывной талон №2

Изделие _____

Модель _____

Серийный номер _____

Дата продажи _____

Фирма-продавец _____

ПЕЧАТЬ
ФИРМЫ - ПРОДАВЦА

Отрывной талон №3

Изделие _____

Модель _____

Серийный номер _____

Дата продажи _____

Фирма-продавец _____

ПЕЧАТЬ
ФИРМЫ - ПРОДАВЦА

Отрывной талон №4

Изделие _____

Модель _____

Серийный номер _____

Дата продажи _____

Фирма-продавец _____

ПЕЧАТЬ
ФИРМЫ - ПРОДАВЦА



Hisense

Hisense

Hisense

Hisense

Hisense

Гарантия – 2 год с момента покупки холодильника
 Срок службы – 7 лет
 Класс энергоэффективности – А

Импортер: ООО "Интер-Трейд"

Адрес: Россия, 347800, Ростовская область, г. Каменск-Шахтинский, ул. Ворошилова 152
www.diorit.ru

Сделано в Китае

Производитель: Hisense Ronshen (Guangdong) Refrigerator Co, LTD.
 Адрес: No.8 Rong Gang Rd., RongGui Town, Shunde, Guangdong, China
 Адрес завода: No.8 Rong Gang Rd., RongGui Town, Shunde, Guangdong, China
 Адрес завода: No.19 Hongyang Road, Yangzhou City, Jiangsu, China

Производитель: Хайсенс Жоньшень (Гуандун) Рефрижерейтор Ко, Лтд.
 Адрес: №.8 ЖонГанРд., ЖонГуйТаун, Шуньде, Гуандун, Китай
 Адрес завода: №.8 ЖонГанГ Рд., ЖонГуйТаун, Шуньде, Гуандун, Китай
 Адрес завода: №.19 ХуньянРоуд, Янчжоу Сити, Дянсу, Китай



АГ 88

Hisense