

Oven

User Manual

Плита

Руководство
пользователя

Духова шафа

Посібник користувача

Please read this user manual first!

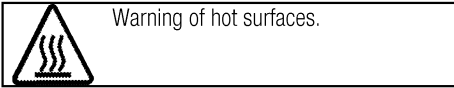
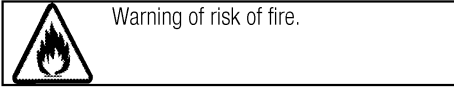
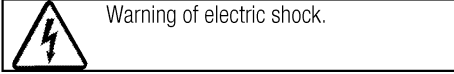
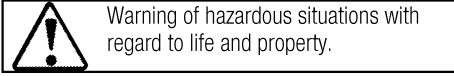
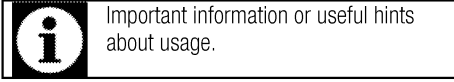
Dear Customer,

Thank you for purchasing this Beko product. We hope that you get the best results from your product which has been manufactured with high quality and state-of-the-art technology. Therefore, please read this entire user manual and all other accompanying documents carefully before using the product and keep it as a reference for future use. If you handover the product to someone else, give the user manual as well. Follow all warnings and information in the user manual.

Remember that this user manual is also applicable for several other models. Differences between models will be identified in the manual.

Explanation of symbols

Throughout this user manual the following symbols are used:



Arçelik A.Ş.
Karaağaç caddesi No:2-6
34445 Sütlüce/İstanbul/TURKEY
Made in TURKEY

TABLE OF CONTENTS

1 Important instructions and warnings for safety and environment 4

General safety.....	4
Safety when working with gas.....	4
Product safety.....	5
Intended use.....	6
Safety for children.....	7
Disposing of the old product.....	7
Package information.....	7

2 General information 8

Overview.....	8
Package contents.....	9
Technical specifications.....	9
Injector table.....	10

3 Installation 11

Before installation.....	11
Installation and connection.....	12
Gas conversion.....	13
Future Transportation.....	15

4 Preparation 16

Tips for saving energy.....	16
-----------------------------	----

Initial use.....	16
First cleaning of the appliance.....	16
Initial heating.....	16

5 How to use the hob 17

General information about cooking.....	17
Using the hobs.....	17

6 How to operate the oven 19

General information on baking, roasting.....	19
How to use the gas oven.....	19
Cooking times table.....	20

7 Maintenance and care 21

General information.....	21
Cleaning the hob.....	21
Cleaning the control panel.....	21
Cleaning the oven.....	21
Removing the oven door.....	22
Removing the door inner glass.....	22
Replacing the oven lamp.....	23

8 Troubleshooting 24

I Important instructions and warnings for safety and environment

This section contains safety instructions that will help protect from risk of personal injury or property damage. Failure to follow these instructions shall void any warranty.

General safety

- This appliance can be used by children aged from 8 years and above and persons with reduced physical, sensory or mental capabilities or lack of experience and knowledge if they have been given supervision or instruction concerning use of the appliance in a safe way and understand the hazards involved.

Children shall not play with the appliance. Cleaning and user maintenance shall not be made by children without supervision.

- Never place the product on a carpet-covered floor. Otherwise, lack of airflow beneath the product will cause electrical parts to overheat. This will cause problems with your product.
- Installation and repair procedures must always be performed by Authorized Service Agents. The manufacturer shall not be held responsible for damages arising from procedures carried out by unauthorized persons which may

also void the warranty. Before installation, read the instructions carefully.

- Do not operate the product if it is defective or has any visible damage.
- Control that the product function knobs are switched off after every use.

Safety when working with gas

- Any works on gas equipment and systems may only be carried out by authorised qualified persons who are Gas Safe registered.
- Prior to the installation, ensure that the local distribution conditions (nature of the gas and gas pressure) and the adjustment of the appliance are compatible.
- This appliance is not connected to a combustion products or evacuation device. It shall be installed and connected in accordance with current installation regulations. Particular attention shall be given to the relevant requirements regarding ventilation; See *Before installation*, page 11
- The use of gas cooking appliance results in the production of heat and moisture in the room in which it is installed. Ensure that the

kitchen is well ventilated: keep natural ventilation holes open or install a mechanical ventilation device (mechanical extractor hood). Prolonged intensive use of the appliance may call for additional ventilation, for example increasing the level of the mechanical ventilation where present.

- Gas appliances and systems must be regularly checked for proper functioning. Regulator, hose and its clamp must be checked regularly and replaced within the periods recommended by its manufacturer or when necessary.
- Clean the gas burners regularly. The flames should be blue and burn evenly.
- Good combustion is required in gas appliances. In case of incomplete combustion, carbon monoxide (CO) might develop. Carbon monoxide is a colourless, odourless and very toxic gas, which has a lethal effect even in very small doses.
- Request information about gas emergency telephone numbers and safety measures in case of gas smell from you local gas provider.

What to do when you smell gas

- Do not use open flame or do not smoke. Do not operate any

electrical buttons (e.g. lamp button, door bell and etc.) Do not use fixed or mobile phones. Risk of explosion and toxication!

- Open doors and windows.
- Turn off all valves on gas appliances and gas meter at the main control valve, unless it's in a confined space or cellar.
- Check all tubes and connections for tightness. If you still smell gas leave the property.
- Warn the neighbours.
- Call the fire-brigade. Use a telephone outside the house.
- Do not re-enter the property until you are told it is safe to do so.

Product safety

- The appliance and its accessible parts become hot during use. Care should be taken to avoid touching heating elements. Children less than 8 years of age shall be kept away unless continuously supervised.
- Never use the product when your judgment or coordination is impaired by the use of alcohol and/or drugs.
- Be careful when using alcoholic drinks in your dishes. Alcohol evaporates at high temperatures and may cause fire since it can ignite when it comes into contact with hot surfaces.

- Do not place any flammable materials close to the product as the sides may become hot during use.
 - During use the appliance becomes hot. Care should be taken to avoid touching heating elements inside the oven.
 - Keep all ventilation slots clear of obstructions.
 - Do not heat closed tins and glass jars in the oven. The pressure that would build-up in the tin/jar may cause it to burst.
 - Do not place baking trays, dishes or aluminium foil directly onto the bottom of the oven. The heat accumulation might damage the bottom of the oven.
 - Do not use harsh abrasive cleaners or sharp metal scrapers to clean the oven door glass since they can scratch the surface, which may result in shattering of the glass.
 - Do not use steam cleaners to clean the appliance as this may cause an electric shock.
 - Do not use the product if the front door glass removed or cracked.
 - Always use heat resistant oven gloves when putting in or removing dishes into/from the hot oven.
 - Ensure that the appliance is switched off before replacing the lamp to avoid the possibility of electric shock.
 - Unattended cooking on a hob with fat or oil can be dangerous and may result in fire. NEVER try to extinguish a fire with water, but switch off the appliance and then cover flame e.g. with a lid or a fire blanket.
 - Danger of fire: Do not store items on the cooking surfaces.
- For the reliability of the fire of the product;
- Make sure the plug is fitting to socket as well for not cause to spark.
 - Do not use damaged or cutted or extension cable except the original cable.
 - Make sure that not whether liquid or moisture on the socket is plugged to product .
 - Make sure your gas connection is installed as well for not cause the gas leakage.
- Intended use**
- This product is designed for domestic use. Commercial use will void the guarantee.
 - This appliance is for cooking purposes only. It must not be used for other purposes, for example room heating.
 - The manufacturer shall not be liable for any damage caused by improper use or handling errors.

- The oven can be used for defrosting, baking, roasting and grilling food.

Safety for children

- Accessible parts may become hot during use. Young children should be kept away.
- The packaging materials will be dangerous for children. Keep the packaging materials away from children. Please dispose of all parts of the packaging according to environmental standards.
- Electrical and/or gas products are dangerous to children. Keep children away from the product when it is operating and do not allow them to play with the product.
- An additional protective means to avoid contact with the oven door is available. This part should be fitted when young children are likely to be present.
- Do not place any items above the appliance that children may reach for.
- When the door is open, do **not** load any heavy object on it and do **not** allow children to sit on it. It may overturn or door hinges may get damaged.

Disposing of the old product



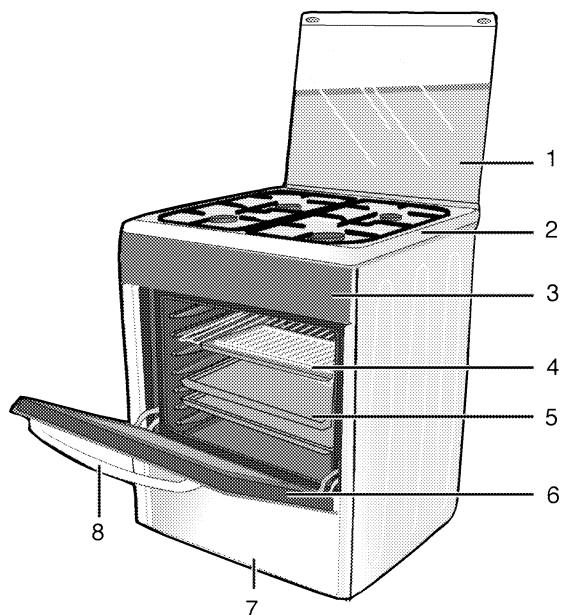
Dispose of the old product in an environmentally friendly manner. This equipment bears the selective sorting symbol for waste electrical and electronic equipment (WEEE). This means that this equipment must be handled pursuant to European Directive 2002/96/EC in order to be recycled or dismantled to minimize its impact on the environment. For further information, please contact local or regional authorities. Refer to your local dealer or solid waste collection centre in your area to learn how to dispose of your product. Before disposing of the product, cut off the power cable plug and make the door lock (if any) unusable to avoid dangerous conditions to children.

Package information

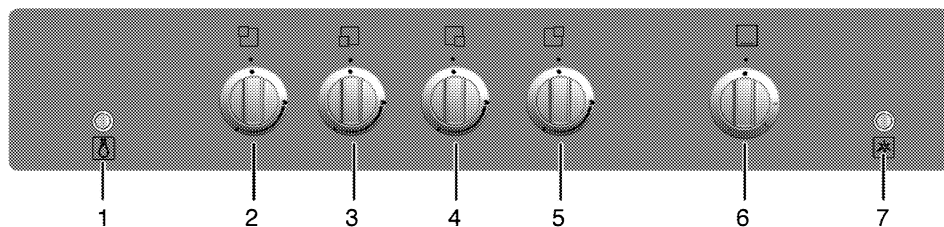
- Packaging materials of the product are manufactured from recyclable materials in accordance with our National Environment Regulations. Do not dispose of the packaging materials together with the domestic or other wastes. Take them to the packaging material collection points designated by the local authorities.

2 General information

Overview



- | | | | |
|---|---------------|---|------------|
| 1 | Top lid | 5 | Tray |
| 2 | Burner plate | 6 | Front door |
| 3 | Control panel | 7 | Lower part |
| 4 | Wire shelf | 8 | Handle |

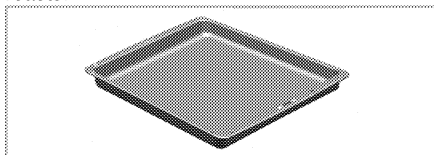


- | | |
|---|------------------------------|
| 1 | Lamp button |
| 2 | Normal burner Rear left |
| 3 | Rapid burner Front left |
| 4 | Auxiliary burner Front right |
| 5 | Normal burner Rear right |
| 6 | Oven knob |
| 7 | Ignition button |

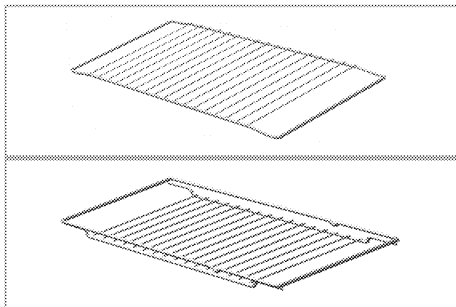
Package contents

i Accessories supplied can vary depending on the product model. Not every accessory described in the user manual may exist on your product.

- User manual**
- Oven tray**
Used for pastries, frozen foods and big roasts.



- Wire Shelf**
Used for roasting and for placing the food to be baked, roasted or cooked in casserole dishes to the desired rack.



Technical specifications

GENERAL	
External dimensions (height / width / depth)	850 mm/500 mm/600 mm
Voltage / frequency	220-240 V ~ 50 Hz
Cable type / section	H05VV-FG 3 x 0,75 mm ²
Cable length	max. 2 m
Category of gas product	II 2H3B/P
Gas type / pressure	NG G 20/20 mbar
Total gas consumption	10.4 kW
Converting the gas type / pressure ^s	NG G 20/10 mbar
– optional	NG G 20/13 mbar - LPG G 30/28-30 mbar
HOB	
Burners	
Rear left	Normal burner
Power	2 kW
Front left	Rapid burner
Power	2.9 kW
Front right	Auxiliary burner
Power	1 kW
Rear right	Normal burner
Power	2 kW
OVEN/GRILL	
Main oven	Gas oven
Inner lamp	15–25 W
Gas consumption of oven	2.5 kW

i Technical specifications may be changed without prior notice to improve the quality of the product.

i Figures in this manual are schematic and may not exactly match your product.

i Values stated on the product labels or in the documentation accompanying it are obtained in laboratory conditions in accordance with relevant standards. Depending on operational and environmental conditions of the product, these values may vary.

Injector table

Position hob zone	2 kW Rear left	2.9 kW Front left	1 kW Front right	2 kW Rear right
Gas type / Gas pressure				
G 20/10 mbar	125	155	90	125
G 20/13 mbar	116	145	84	116
G 20/20 mbar	103	115	72	103
G 30/28-30 mbar	72	87	50	72
Gas type / Gas pressure	Gas oven		Grill	
G 20/10 mbar	130		130	
G 20/13 mbar	128		128	
G 20/20 mbar	115		115	
G 30/28-30 mbar	73		73	

3 Installation

Product must be installed by a qualified person in accordance with the regulations in force. The manufacturer shall not be held responsible for damages arising from procedures carried out by unauthorized persons which may also void the warranty.



Preparation of location and electrical and gas installation for the product is under customer's responsibility.



DANGER:
The product must be installed in accordance with all local gas and/or electrical regulations.

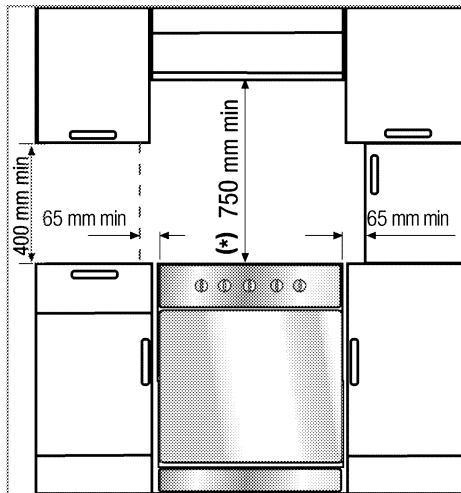


DANGER:
Prior to installation, visually check if the product has any defects on it. If so, do not have it installed.
Damaged products cause risks for your safety.

Before installation

To ensure that critical air gaps are maintained under the appliance, we recommend that this appliance is mounted on a solid base and that the feet do not sink into any carpet or soft flooring.

The kitchen floor must be able to carry the weight of the appliance plus the additional weight of cookware and bakeware and food.



- It can be used with cabinets on either side but in order to have a minimum distance of 400mm above hotplate level allow a side clearance of 65mm between the appliance and any wall, partition or tall cupboard.
- It can also be used in a free standing position. Allow a minimum distance of 750 mm above the hob surface.
- (*) If a cooker hood is to be installed above the cooker, refer to cooker hood manufacturer' instructions regarding installation height (min 650 mm).
- The appliance corresponds to device class 1, i.e. it may be placed with the rear and **one** side to kitchen walls, kitchen furniture or equipment of any size. The kitchen furniture or equipment on the **other** side may only be of the same size or smaller.
- Any kitchen furniture next to the appliance must be heat-resistant (100 °C min.).

Room ventilation

All rooms require an openable window, or equivalent, and some rooms will require a permanent vent as well.

The air for combustion is taken from the room air and the exhaust gases are emitted directly into the room.

Good room ventilation is essential for safe operation of your appliance. If there is no window

or door available for room ventilation, an extra ventilation must be installed.

The appliance may be located in a kitchen, kitchen/diner or a bed-sitting room, but not in a room containing a bath or shower. The appliance must not be installed in a bed-sitting room of less than 20m³.

Do not install this appliance in a room below ground level unless it is open to ground level on at least one side.

Room size	Ventilation opening
smaller than 5 m ³	min. 100 cm ²
5 m ³ to 10 m ³	min. 50 cm ²
greater than 10 m ³ , den	not required
In the cellar or basement	min. 65 cm ²

Installation and connection

Product can only be installed and connected in accordance with the statutory installation rules.



Do not install the product next to refrigerators or freezers. The heat emitted by the product will increase the energy consumption of cooling appliances.

- Carry the product with at least two persons.
- Product must be placed directly on the floor. It must not be placed onto a base or a pedestal.



Do not use the door and/or handle to carry or move the product. The door, handle or hinges get damaged.

Electrical connection

Connect the product to a grounded outlet/line protected by a fuse of suitable capacity as stated in the "Technical specifications" table. Have the grounding installation made by a qualified electrician while using the product with or without a transformer. Our company shall not be liable for any damages that will arise due to using the product without a grounding installation in accordance with the local regulations.



DANGER:

The product must be connected to the mains supply only by an authorised and qualified person. The product's warranty period starts only after correct installation.

Manufacturer shall not be held responsible for damages arising from procedures carried out by unauthorised persons.



DANGER:

The power cable must not be clamped, bent or trapped or come into contact with hot parts of the product.

A damaged power cable must be replaced by a qualified electrician. Otherwise, there is risk of electric shock, short circuit or fire!

The mains supply data must correspond to the data specified on the type label of the product. The rating plate is either seen when the door or the lower cover is opened or it is located at the rear wall of the unit depending on the unit type. Power cable of your product must comply with the values in "Technical specifications" table.



Power cable plug must be within easy reach after installation (do not route it above the hob).



DANGER:

Before starting any work on the electrical installation, disconnect the product from the mains supply. There is the risk of electric shock!

Plug the power cable into the socket.

Gas connection



DANGER:

Product can be connected to gas supply system only by an authorised and qualified person.

Risk of explosion or toxication due to unprofessional repairs!

Manufacturer shall not be held responsible for damages arising from procedures carried out by unauthorised persons.

**DANGER:**

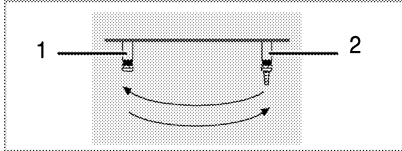
Before starting any work on the gas installation, disconnect the gas supply. There is the risk of explosion!

- Gas adjustment conditions and values are stated on labels (or ion type label).



Your product is equipped for natural gas (NG).

- Natural gas installation must be prepared before installing the product.
- If necessary, interchange the sharp hose tip and the blind plug at the rear of your oven by selecting a suitable place on basis of the location of the natural gas valve.



- 1 Blind plug
- 2 Hose tip

- There must be a flex pipe at the outlet of the installation for the natural gas connection of your product and the tip of this pipe must be closed with a blind plug. Service Representative will remove the blind plug during connection and connect your product by means of a straight connection device (coupling).
- Make sure that the natural gas valve is readily accessible.
- If you need to use your product later with a different type of gas, you must consult the Authorised Service Agent for the related conversion procedure.

**DANGER:**

The gas hose must not be clamped, bent or trapped or come into contact with hot parts of the product. There is the risk of explosion due to damaged gas hose.

- Push the product towards the kitchen wall.
- **Adjusting the feet of oven**

Vibrations during use may cause cooking vessels to move. This dangerous situation can be avoided if the product is level and balanced.

For your own safety please ensure the product is level by adjusting the four feet at the bottom by turning left or right and align level with the work top.

Final check

1. Open gas supply.
2. Check gas installations for secure fitting and tightness.
3. Ignite burners and check appearance of the flame.



Flame must be blue and have a regular shape. If the flame is yellowish, check if the burner cap is seated securely or clean the burner.

Gas conversion**DANGER:**

Before starting any work on the gas installation, disconnect the gas supply. There is the risk of explosion!

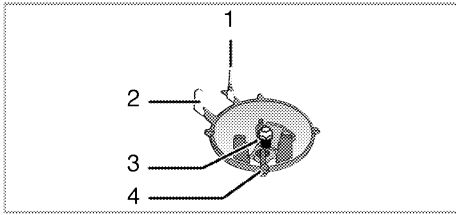
In order to change your appliance's gas type, change all injectors and make flame adjustment for all valves at reduced flow rate position.

Exchange of injector for the burners

1. Take off burner cap and burner body.
2. Unscrew injectors by turning the counter-clockwise.
3. Fit new injectors.
4. Check all connections for secure fitting and tightness.



New injectors have their position marked on their packing or injector table on *Injector table, page 10* can be referred to.



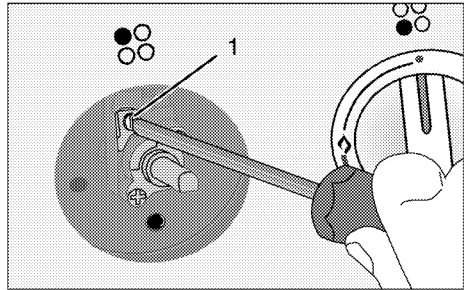
- 1 Flame failure device (model dependent)
- 2 Spark plug
- 3 Injector
- 4 Burner

i Unless there is an abnormal condition, do not attempt to remove the gas burner taps. You must call an Authorised service agent if it is necessary to change the taps.

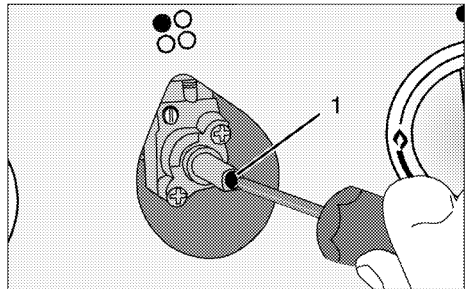
Reduced gas flow rate setting for hob taps

1. Ignite the burner that is to be adjusted and turn the knob to the reduced position.
 2. Remove the knob from the gas tap.
 3. Use an appropriately sized screwdriver to adjust the flow rate adjustment screw.
- For LPG (Butane - Propane) turn the screw clockwise. For the natural gas, you should turn the screw **counter-clockwise** once.
- » The normal length of a straight flame in the reduced position should be 6-7 mm.
4. If the flame is higher than the desired position, turn the screw clockwise. If it is smaller turn anticlockwise.
 5. For the last control, bring the burner both to high-flame and reduced positions and check whether the flame is on or off.

Depending on the type of gas tap used in your appliance the adjustment screw position may vary.



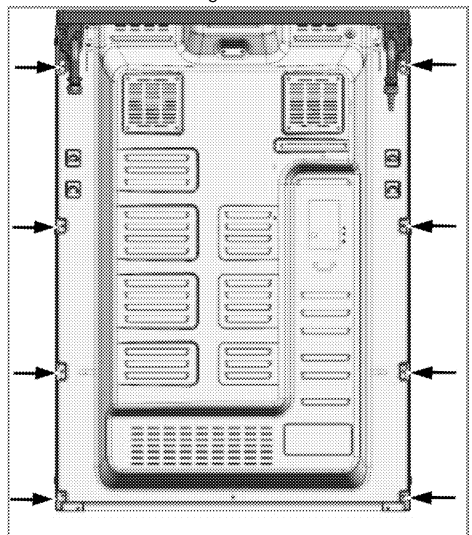
- 1 Flow rate adjustment screw



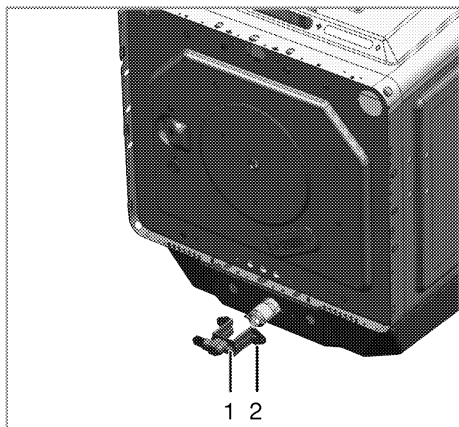
- 1 Flow rate adjustment screw

Exchange of injector for the oven

1. Unscrew fastening screws of the back wall.



2. Unscrew the 2 screws (2) of the injector holder (1).

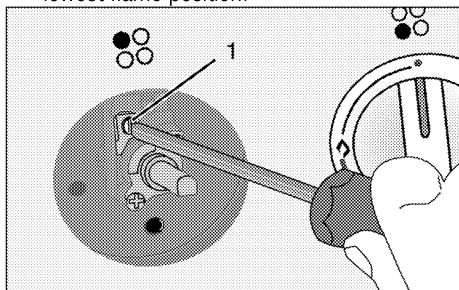


- 1 Injector holder
- 2 Screw
3. Pull out the injector holder.
4. Unscrew injector by turning to counter-clockwise direction.
5. Fit new injector.

Reduced flow adjustment for the gas oven

For the appropriate functioning of the oven re-checking the by-pass adjustment is extremely important. In order to provide maximum security to the user these operations have to be done with care.


1. Ignite the burner that is to be adjusted and turn the knob to the high flame position.
2. Close the oven door and wait for 10 to 15 minutes until the oven becomes ready for adjustment.
3. Take out the knob
4. After 15 minutes, adjust the oven to the lowest flame position.



5. Set the flame length to 2 to 3 mm by means of the screw 1 on the oven tap. Turning in

clockwise direction reduces the flame, turning counter-clockwise increases the flame.

i If the temperature of the oven increases unintendedly, turn off the oven and call the authorised service agent to have oven thermostat repaired.

Butan/propan	Natural gas
Fasten the screw until the end	Loosen the screw
	1/2 round
	

i If the gas type of the unit is changed, then the rating plate that shows the gas type of the unit must also be changed.

Future Transportation

- Keep the product's original carton and transport the product in it. Follow the instructions on the carton. If you do not have the original carton, pack the product in bubble wrap or thick cardboard and tape it securely.
- To prevent the wire grill and tray inside the oven from damaging the oven door, place a strip of cardboard onto the inside of the oven door that lines up with the position of the trays. Tape the oven door to the side walls.
- Secure the caps and pan supports with adhesive tape.
- Do not use the door or handle to lift or move the product.

i Do not place any objects onto the product and move it in upright position.

i Check the general appearance of your product for any damages that might have occurred during transportation.

4 Preparation

Tips for saving energy

The following information will help you to use your appliance in an ecological way, and to save energy:

- Use dark coloured or enamel coated cookware in the oven since the heat transmission will be better.
- While cooking your dishes, perform a preheating operation if it is advised in the user manual or cooking instructions.
- Do not open the door of the oven frequently during cooking.
- Try to cook more than one dish in the oven at the same time whenever possible. You can cook by placing two cooking vessels onto the wire shelf.
- Cook more than one dish one after another. The oven will already be hot.
- Defrost frozen dishes before cooking them.
- Use pots/pans with cover for cooking. If there is no cover, energy consumption may increase 4 times.
- Select the burner which is suitable for the bottom size of the pot to be used. Always select the correct pot size for your dishes. Larger pots require more energy.

Initial use

First cleaning of the appliance



The surface might get damaged by some detergents or cleaning materials.

Do not use aggressive detergents, cleaning powders/creams or any sharp objects during cleaning.

Do not use harsh abrasive cleaners or sharp metal scrapers to clean the oven door glass since they can scratch the surface, which may result in shattering of the glass.

1. Remove all packaging materials.
2. Wipe the surfaces of the appliance with a damp cloth or sponge and dry with a cloth.

Initial heating

Heat up the product for about 30 minutes and then switch it off. Thus, any production residues or layers will be burnt off and removed.



WARNING

Hot surfaces cause burns!

Product may be hot when it is in use. Never touch the hot burners, inner sections of the oven, heaters and etc. Keep children away. Always use heat resistant oven gloves when putting in or removing dishes into/from the hot oven.

Gas oven

1. Take all baking trays and the wire grill out of the oven.
2. Close the oven door.
3. Select the highest flame of the gas oven; see *How to use the gas oven, page 19*.
4. Operate the oven about 30 minutes.
5. Turn off your oven; See *How to use the gas oven, page 19*



Smoke and smell may emit for a couple of hours during the initial operation. This is quite normal. Ensure that the room is well ventilated to remove the smoke and smell. Avoid directly inhaling the smoke and the smell that emits.

5 How to use the hob

General information about cooking



Never fill the pan with oil more than one third of it. Do not leave the hob unattended when heating oil. Overheated oils bring risk of fire. **Never attempt to extinguish a possible fire with water!** When oil catches fire, cover it with a fire blanket or damp cloth. Turn off the hob if it is safe to do so and call the fire department.

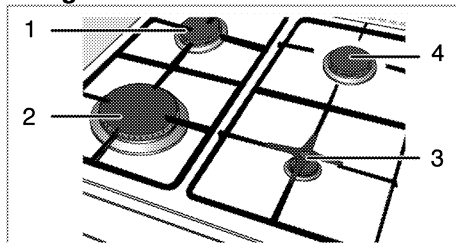
- Before frying foods, always dry them well and gently place into the hot oil. Ensure complete thawing of frozen foods before frying.
- Do not cover the vessel you use when heating oil.
- Place the pans and saucepans in a manner so that their handles are not over the hob to prevent heating of the handles. Do not place unbalanced and easily tilting vessels on the hob.
- Do not place empty vessels and saucepans on cooking zones that are switched on. They might get damaged.
- Operating a cooking zone without a vessel or saucepan on it will cause damage to the product. Turn off the cooking zones after the cooking is complete.
- As the surface of the product can be hot, do not put plastic and aluminum vessels on it. Such vessels should not be used to keep foods either.
- Use flat bottomed saucepans or vessels only.
- Put appropriate amount of food in saucepans and pans. Thus, you will not have to make any unnecessary cleaning by preventing the dishes from overflowing. Do not put covers of saucepans or pans on cooking zones.
Place the saucepans in a manner so that they are centered on the cooking zone. When you want to move the saucepan onto another cooking zone, lift and place it onto

the cooking zone you want instead of sliding it.

Gas cooking

- Size of the vessel and the flame must match each other. Adjust the gas flames so that they will not extend the bottom of the vessel and center the vessel on saucepan carrier.

Using the hobs



- 1 Normal burner 18-20 cm
- 2 Rapid burner 22-24 cm
- 3 Auxiliary burner 12-18 cm
- 4 Normal burner 18-20 cm is list of advised diameter of pots to be used on related burners.

Large flame symbol indicates the highest cooking power and small flame symbol indicates the lowest cooking symbol. In turned off position (top), gas is not supplied to the burners.

Igniting the gas burners



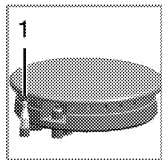
Gas burners are ignited with ignition buttons.

1. Keep burner knob pressed.
2. Turn it counter clockwise to large flame symbol.
3. Press and release the ignition button. Repeat the procedure until the released gas is ignited.
4. Adjust it to the desired cooking power.

Turning off the gas burners

Turn the keep warm zone knob to off (upper) position.

Gas shut off safety system (in models with thermic component)



1. Gas shut off safety

As a counter measure against blow out due to fluid overflows at burners, safety mechanism trips and shuts off the gas.

- Push the knob inwards and turn it counter clockwise to ignite.
- After the gas ignites, keep the knob pressed for 3-5 seconds more to engage the safety system.
- If the gas does not ignite after you press and release the knob, repeat the same procedure by keeping the knob pressed for 15 seconds.



DANGER:

Release the button if the burner is not ignited within 15 seconds.
Wait at least 1 minute before trying again.
There is the risk of gas accumulation and explosion!

6 How to operate the oven

General information on baking, roasting



WARNING

Hot surfaces cause burns!

Product may be hot when it is in use. Never touch the hot burners, inner sections of the oven, heaters and etc. Keep children away. Always use heat resistant oven gloves when putting in or removing dishes into/from the hot oven.



DANGER:

Be careful when opening the oven door as steam may escape.

Exiting steam can scald your hands, face and/or eyes.

Tips for baking

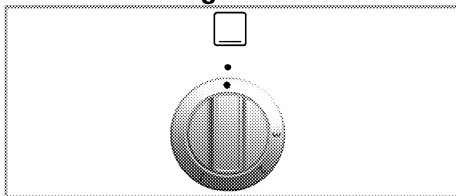
- Use non-sticky coated appropriate metal plates or aluminum vessels or heat-resistant silicone moulds.
- Make best use of the space on the rack.
- Place the baking mould in the middle of the shelf.
- Select the correct rack position before turning the oven or grill on. Do not change the rack position when the oven is hot.
- Keep the oven door closed.

Tips for roasting

- Treating whole chicken, turkey and large piece of meat with dressings such as lemon juice and black pepper before cooking will increase the cooking performance.
- It takes about 15 to 30 minutes longer to roast meat with bones when compared to roasting the same size of meat without bones.
- Each centimeter of meat thickness requires approximately 4 to 5 minutes of cooking time.
- Let meat rest in the oven for about 10 minutes after the cooking time is over. The juice is better distributed all over the roast and does not run out when the meat is cut.

- Fish should be placed on the middle or lower rack in a heat-resistant plate.

How to use the gas oven



The gas oven is operated by the gas oven control knob. In off position (top) the gas supply is Off.

Switch on the gas oven

The gas oven is ignited with the ignition button.

1. Open oven door.
2. Keep gas oven control knob pressed and turn it **counterclockwise**.
3. Press ignition button and release it again.
4. Keep the gas oven control knob pressed for 3 to 5 seconds.
» Repeat the process until the emanating gas is ignited.
5. Keep the gas oven control knob pressed for another 3 to 5 seconds. Be sure that gas has ignited and flame is present.
6. Select the desired baking power/ gas mark.
7. If there is no electricity; ignite the gas with the gas lighter from the ignition control hole.



DANGER:

There is the risk of gas compression and explosion!

Do not attempt to ignite the gas more than 15 seconds. If the burner is not ignited within 15 seconds, turn off the knob and wait for 1 minute. Ventilate the room before reattempting to ignite the burner. There is the risk of gas compression and explosion!

Switch off the gas oven

1. Turn gas oven control knob to off position (top).

Gas level temperature chart

Gas level	1	2	3
Temperature in °C	170	280	300

Cooking times table



1st rack of the oven is the **bottom** rack.



Maximum load capacity of oven tray: 4 kg (8.8 lb).



The timings in this chart are meant as a guide. Timings may vary due to temperature of food, thickness, type and your own preference of cooking.

Stand dishes on a baking sheet to prevent spillages onto oven base and help keep oven clean.

Baking and roasting

Food	Preheating *	Insertion level	Control knob position	Cooking time
Apple pie	10 min.	4	1	50...70 min.
Fruit tart	10 min.	4	1	20...40 min.
Pie	10 min.	4	1	20...40 min.
Cookies	10 min.	4	1	25...35 min.
Leaven	10 min.	4	1	40...60 min.
Cake	10 min.	4	1	30...50 min.
Biscuits	10 min.	4	1	25...35 min.
Roast lamb	10 min.	3	1	60...100 min. per 450 g + 30 min.
Roast Beef	10 min.	3	1	80...120 min. per 450 g + 30 min.
Poultry	10 min.	3	1	60...80 min. per 450 g + 25 min.
Casseroles	10 min.	3	1	90...120 min.
Fish	10 min.	4	1	35...45 min.
Macaroni	10 min.	4	1	40...60 min.
Small cakes	10 min.	4	1	30...40 min.
Victoria sandwich	10 min.	4	1	30...40 min.

* at control knob position 2 / ^s depending on quantity / * depending on size

7 Maintenance and care

General information

Service life of the product will extend and the possibility of problems will decrease if the product is cleaned at regular intervals.



DANGER:

Disconnect the product from mains supply before starting maintenance and cleaning works.
There is the risk of electric shock!



DANGER:

Allow the product to cool down before you clean it.
Hot surfaces may cause burns!

- Clean the product thoroughly after each use. In this way it will be possible to remove cooking residues more easily, thus avoiding these from burning the next time the appliance is used.
- No special cleaning agents are required for cleaning the product. Use warm water with washing liquid, a soft cloth or sponge to clean the product and wipe it with a dry cloth.
- Always ensure any excess liquid is thoroughly wiped off after cleaning and any spillage is immediately wiped dry.
- Do not use cleaning agents that contain acid or chloride to clean the stainless or inox surfaces and the handle. Use a soft cloth with a liquid detergent (not abrasive) to wipe those parts clean, paying attention to sweep in one direction.
- Do not use solid metal scrapers or abrasive cleaning materials to clean the glass cover. Glass surface can get damaged.



The surface might get damaged by some detergents or cleaning materials.

Do not use aggressive detergents, cleaning powders/creams or any sharp objects during cleaning.

Do not use harsh abrasive cleaners or sharp metal scrapers to clean the oven door glass since they can scratch the surface, which may result in shattering of the glass.



Do not use steam cleaners to clean the appliance as this may cause an electric shock.

Cleaning the hob

Gas hobs

1. Remove and clean the saucepan carriers and burner caps.
2. Clean the hob.
3. Install the burner caps and make sure that they are seated correctly.
4. When installing the upper grills, pay attention to place the saucepan carriers so that the burners are centered.

Cleaning the control panel

Clean the control panel and knobs with a damp cloth and wipe them dry.



Do not remove the control buttons/knobs to clean the control panel.
Control panel may get damaged!

Cleaning the oven

Clean oven door

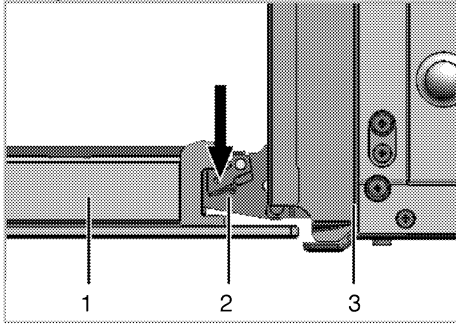
To clean the oven door, use warm water with washing liquid, a soft cloth or sponge to clean the product and wipe it with a dry cloth.



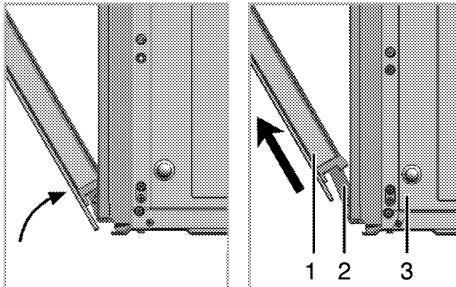
Don't use any harsh abrasive cleaners or sharp metal scrapers for cleaning the oven door. They could scratch the surface and destroy the glass.

Removing the oven door

1. Open the front door (1).
2. Open the clips at the hinge housing (2) on the right and left hand sides of the front door by pressing them down as illustrated in the figure.



- 1 Front door
- 2 Hinge
- 3 Oven



3. Move the front door to half-way.
4. Remove the front door by pulling it upwards to release it from the right and left hinges.

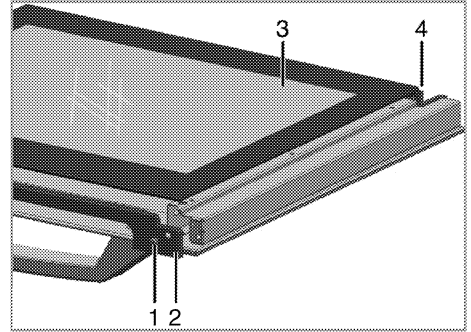


Steps carried out during removing process should be performed in reverse order to install the door. Do not forget to close the clips at the hinge housing when reinstalling the door.

Removing the door inner glass

The inner glass panel of the oven door can be removed for cleaning.

1. Open the oven door.



- 1 Screw
 - 2 Plastic profile
 - 3 Inner glass pane
 - 4 Plastic slot
2. Take out the screw(1) with a screwdriver
 3. Take out the profile (2) then hold up to inner glass (3).
 4. Then group the door again, put the glass pane (3) to the plastic slots (4) and group the profile.

Replacing the oven lamp



DANGER:

Before replacing the oven lamp, make sure that the product is disconnected from mains and cooled down in order to avoid the risk of an electrical shock. Hot surfaces may cause burns!



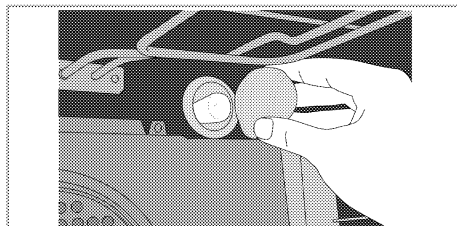
The oven lamp is a special electric light bulb that can resist up to 300 °C. See *Technical specifications, page 9* for details. Oven lamps can be obtained from Authorised Service Agents.



Position of lamp might vary from the figure.

If your oven is equipped with a round lamp:

1. Disconnect the product from mains.
2. Turn the glass cover counter clockwise to remove it.



3. Remove the oven lamp by turning it counter clockwise and replace it with the new one.
4. Install the glass cover.

8 Troubleshooting

Oven emits steam when it is in use.

- It is normal that steam escapes during operation. >>> *This is not a fault.*

Product emits metal noises while heating and cooling.

- When the metal parts are heated, they may expand and cause noise. >>> *This is not a fault.*

There is no ignition spark.

- No current. >>> *Check fuses in the fuse box.*

There is no gas.

- Main gas valve is closed. >>> *Open gas valve.*
- Gas pipe is bent. >>> *Install gas pipe properly.*

Burners are not burning properly or at all.

- Burners are dirty. >>> *Clean burner components.*
- Burners are wet. >>> *Dry the burner components.*
- Burner cap is not mounted safely. >>> *Mount the burner cap properly.*
- Gas valve is closed. >>> *Open gas valve.*
- Gas cylinder is empty (when using LPG). >>> *Replace gas cylinder.*



Consult the Authorised Service Agent or the dealer where you have purchased the product if you can not remedy the trouble although you have implemented the instructions in this section. Never attempt to repair a defective product yourself.

Перед началом эксплуатации прочитайте это руководство пользователя!

Уважаемый покупатель!

Спасибо за то, что отдали предпочтение продукции компании «Веко». Надеемся, что это высококачественное изделие, изготовленное с применением самых современных технологий, будет демонстрировать наилучшие результаты эксплуатации. Для этого перед началом эксплуатации внимательно прочитайте это руководство и всю сопутствующую документацию и используйте его в дальнейшем в качестве справочника. Если вы передаете изделие новому владельцу, передайте ему и руководство пользователя. Придерживайтесь всех предупреждений и информации, содержащихся в руководстве.

Помните, что данное руководство пользователя также может быть применимо к некоторым другим моделям. Различия между моделями будут указаны в руководстве.

Пояснения к символам

В данном руководстве пользователя используются следующие символы:



Важная информация или
полезные советы по
использованию.



Предупреждение о ситуациях,
опасных для жизни людей и
имущества.



Предупреждение об опасности
поражения электрическим
током.



Предупреждение об опасности
пожара.



Предупреждение о горячих
поверхностях.

1 Важные инструкции и предупреждения по технике безопасности и охране окружающей среды **4**

Общие правила техники безопасности	4
Правила техники безопасности при работе с газовым оборудованием	5
Безопасность изделия	6
Использование по назначению	8
Безопасность детей	9
Утилизация старого изделия	9
Утилизация упаковочных материалов	10

2 Общие сведения **11**

Обзор	11
Содержание упаковки	12
Технические характеристики	12
Характеристики горелок	13

3 Установка **14**

До начала установки	14
Установка и подключение	15
Переход на другой вид газа	17
Для будущей транспортировки	19

4 Подготовка к эксплуатации **21**

Рекомендации по экономии электроэнергии	21
Подготовка к эксплуатации	21
Очистка прибора перед началом эксплуатации	21

Первоначальный прогрев	21
------------------------	----

5 Правила эксплуатации варочной панели **23**

Общие сведения о приготовлении пищи	23
Эксплуатация варочных панелей	23

6 Правила эксплуатации духовки **25**

Общие сведения о выпекании, жарении	25
Правила эксплуатации газовой духовки	25
Время приготовления блюд	26

7 Уход и техническое обслуживание **27**

Общие сведения	27
Чистка варочной панели	27
Чистка панели управления	27
Чистка духовки	27
Снятие дверцы духового шкафа	28
Снятие внутреннего стекла дверцы	28
Замена лампочки освещения духового шкафа	29

8 Поиск и устранение неисправностей **30**

1 Важные инструкции и предупреждения по технике безопасности и охране окружающей среды

В данном разделе содержатся инструкции по технике безопасности, которые помогут вам избежать травм и повреждений. При несоблюдении этих правил все гарантийные обязательства аннулируются.

Общие правила техники безопасности

- Это изделие может эксплуатироваться детьми старше 8 лет и людьми с ограниченными физическими, сенсорными или умственными способностями, а также лицами, не имеющими достаточного опыта и знаний, только в том случае, если они находятся под наблюдением лиц, ответственных за их безопасность, или проинструктированы на предмет безопасного использования изделия и осознают связанные с этим риски.
Следите за тем, чтобы дети не играли с устройством.
Дети могут чистить и

обслуживать устройство только под наблюдением.

- Не устанавливайте устройство на ковровом покрытии. Недостаточная вентиляция под днищем устройства может привести к перегреву электрических деталей и проблемам в работе изделия.
- Работы по установке и ремонту должны выполняться только представителями авторизованной сервисной службы. Производитель не несет ответственности за повреждения в результате выполнения работ лицами, не имеющими соответствующей квалификации. Это также может привести к аннулированию гарантии. Перед установкой внимательно прочтите инструкции.
- Не пользуйтесь неисправным изделием, а также при наличии на нем заметных повреждений.
- Проверяйте, чтобы после каждого использования

переключатели функций изделия были выключены.

Правила техники безопасности при работе с газовым оборудованием

- Все работы с газовыми приборами и системами должны выполнять только квалифицированные специалисты, имеющие право на выполнение таких работ.
- Перед установкой проверьте, соответствуют ли параметры местной распределительной сети (давление и тип газа) настройкам прибора.
- Это устройство не подсоединяется к устройству для удаления продуктов горения. Это устройство не подсоединяется к устройству для удаления продуктов горения. Установка и подключение прибора должны выполняться в соответствии с действующими нормами и правилами. Особое внимание следует уделить требованиям к вентиляции

(см. раздел *До начала установки, стр. 14*).

- Во время эксплуатации газовой плиты она выделяет тепло, влагу и продукты сгорания в помещении, в котором установлена. Убедитесь, что кухня хорошо проветривается, в особенности во время использования прибора: держите открытыми отверстия, через которые осуществляется естественная вентиляция, или установите прибор для искусственной вентиляции (механическую надплитную вытяжку). Длительное интенсивное использование прибора может требовать дополнительной вентиляции, например, увеличения уровня мощности механической вытяжки, если она имеется.
- Необходимо регулярно проверять исправность газовых приборов и систем. Регулятор, шланг и его хомут следует проверять регулярно и заменять в сроки, рекомендованные производителем, или по мере необходимости.

- Регулярно очищайте газовые горелки. Горелка должна гореть ровным голубым пламенем.
- В газовых приборах необходимо обеспечить полное сжигание газа, так как при неполном сгорании газа выделяется угарный газ (СО). Угарный газ (монооксид углерода) - это очень ядовитый бесцветный газ без запаха, который даже в очень малых дозах вызывает отравление и смерть.
- Узнайте у своего поставщика газа телефон местной аварийной службы газа, а также ознакомьтесь с мерами предосторожности, которые необходимо предпринимать при обнаружении запаха газа.
- Регулярно очищайте газовые горелки. Горелка должна гореть ровным голубым пламенем.
- Остерегайтесь взрыва и отравления газом!
- Перекройте все краны газовых приборов и газовых счетчиков
- Откройте окна и двери.
- Проверьте все трубы и соединения на герметичность. Если запах газа не исчезает, покиньте помещение.
- Предупредите соседей.
- Вызовите пожарную команду. Звоните по телефонному аппарату, который находится за пределами дома.
- Не входите в помещение, пока вам не сообщат, что это безопасно.

Меры предосторожности при обнаружении запаха газа

- Не пользуйтесь открытым пламенем и не курите. Не пользуйтесь электрическими выключателями (например, выключателем освещения, дверным звонком и т.д.). Не пользуйтесь стационарными и мобильными телефонами.
- Данное изделие и его внешние части нагреваются в процессе использования. Будьте осторожны, не касайтесь нагревательных элементов. Детей младше 8 лет следует допускать к духовому шкафу только под постоянным присмотром взрослых.
- Не пользуйтесь прибором, находясь под воздействием алкоголя или

- лекарственных препаратов, снижающих скорость реакции или нарушающих координацию движений.
- Будьте осторожны при использовании спиртных напитков в приготавливаемых блюдах. При высокой температуре спирт испаряется и при соприкосновении с горячими поверхностями может загореться и вызвать пожар.
 - Не располагайте рядом с прибором легковоспламеняющиеся материалы, так как во время работы его боковые поверхности могут сильно нагреваться.
 - Во время работы устройство может нагреваться. Будьте осторожны, не касайтесь нагревательных элементов внутри духового шкафа.
 - Следите за тем, чтобы вентиляционные отверстия были полностью открыты.
 - Не разогревайте в духовом шкафу продукты в закрытых жестяных или стеклянных банках. Внутри банок может повыситься давление, что приведет к взрыву.
 - Не ставьте противни или посуду непосредственно на дно духового шкафа, а также не кладите на него алюминиевую фольгу. Избыточное тепло может привести к повреждению дна духового шкафа.
 - Не используйте для чистки стеклянной дверцы духового шкафа грубые абразивные чистящие средства или острые металлические скребки, чтобы не поцарапать поверхность, поскольку это может привести к разрушению стекла.
 - Не используйте для чистки устройства пароочистители, поскольку это может привести к поражению электрическим током.
 - Не пользуйтесь духовым шкафом, если стекло в передней дверце потрескалось или вынуто.
 - Помещая продукты в горячий духовой шкаф или вынимая их оттуда, обязательно пользуйтесь термостойкими рукавицами.
 - Перед заменой лампочки убедитесь, что устройство

выключено, чтобы избежать поражения электрическим током.

- При приготовлении пищи с жиром или маслом не оставляйте варочную панель без присмотра, поскольку это может привести к возгоранию.

Категорически **ЗАПРЕЩАЕТСЯ** гасить такое пламя водой; следует выключить устройство и накрыть огонь, например, крышкой или противопожарным покрытием.

- Опасность пожара: не храните предметы на конфорках.

Для обеспечения пожарной безопасности изделия соблюдайте нижеуказанные правила.

- Убедитесь, что вилка плотно вставлена в розетку и не искрит.
- Запрещается использовать поврежденный либо обрезанный кабель, а также удлинитель; можно пользоваться только оригинальным кабелем.
- Убедитесь, что в розетке, к которой подключается

изделие, отсутствуют жидкость или влага.

- Убедитесь, что подключение газа выполнено таким образом, чтобы исключить утечку газа.

Использование по назначению

- Данное изделие предназначено исключительно для бытового использования. Запрещается использовать прибор в коммерческих целях.
- Данное изделие предназначено исключительно для приготовления пищи. Его запрещено использовать для других целей, например, для обогрева помещения."
- Производитель не несет ответственности за повреждения в результате использования изделия не по назначению или неправильного обращения с ним.
- Духовой шкаф можно использовать для размораживания, выпекания, жарения и

приготовления продуктов на гриле.

Безопасность детей

- Доступные части прибора могут сильно нагреваться при использовании. Не допускайте к ним детей.
- Упаковочные материалы опасны для детей. Храните упаковочные материалы в недоступном для детей месте. Утилизируйте все упаковочные материалы в соответствии с нормами по охране окружающей среды.
- Электрическое и/или газовое оборудование представляют опасность для детей. Во время работы духового шкафа не допускайте к нему детей, а также не разрешайте им играть с ним.
- Доступны дополнительные защитные средства для предотвращения контакта с дверцей духовки. Этот компонент следует установить, если маленькие дети могут находиться в помещении.
- Не размещайте над прибором предметы, которые дети могут попытаться достать.

- **Не** ставьте на открытую дверцу тяжелые предметы и **не** позволяйте детям садиться на нее, Духовой шкаф может перевернуться, а также могут быть повреждены петли дверцы.

Утилизация старого изделия



Утилизируйте старое изделие экологически безопасным способом.

Данное изделие имеет символ отдельной сортировки отходов электрического и электронного оборудования (WEEE). Это означает, что с данным оборудованием необходимо обращаться в соответствии с Европейской директивой 2002/96/ЕС, чтобы отрицательное воздействие на окружающую среду при его переработке или разборке сводилось к минимуму. Для получения дополнительной информации обращайтесь в местные или региональные органы власти.

Чтобы узнать о порядке утилизации вашего изделия, обратитесь к местному дилеру или в пункт сбора твердых отходов вашего региона.

Прежде чем утилизировать изделие, отрежьте вилку шнура питания и выведите из строя замок дверцы (если он имеется), чтобы не создавать опасных ситуаций для детей.

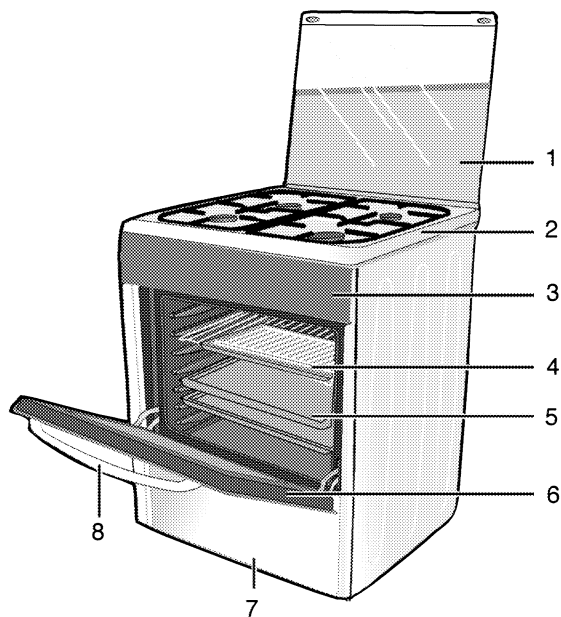
Утилизация упаковочных материалов

- Упаковочные материалы опасны для детей. Храните упаковочные материалы в безопасном и недоступном для детей месте. Упаковочные

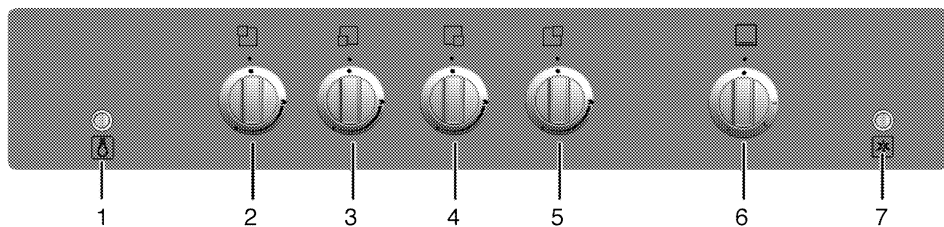
материалы изделия изготовлены из материалов, подлежащих вторичной переработке. Утилизируйте их соответствующим образом и сортируйте согласно инструкций по обращению с отходами, подлежащими вторичной переработке. Не утилизируйте их вместе с обычными бытовыми отходами.

2 Общие сведения

Обзор



- | | | | |
|---|---------------------|---|-----------------|
| 1 | Верхняя крышка | 5 | Противень |
| 2 | Крышка конфорки | 6 | Передняя дверца |
| 3 | Панель управления | 7 | Нижняя часть |
| 4 | Проволочная решетка | 8 | Ручка дверцы |



- | | |
|---|--|
| 1 | Кнопка подсветки |
| 2 | Нормальная конфорка Задняя левая |
| 3 | Конфорка быстрого нагрева Передняя левая |
| 4 | Дополнительная конфорка Передняя правая |
| 5 | Нормальная конфорка Задняя правая |
| 6 | Ручка духового шкафа |
| 7 | Кнопка розжига |

Содержание упаковки

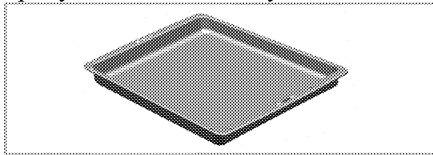


Изделие комплектуется различным набором дополнительных принадлежностей в зависимости от модели. Некоторые дополнительные принадлежности, описанные в руководстве пользователя, в комплекте этого изделия могут отсутствовать.

1. Руководство пользователя

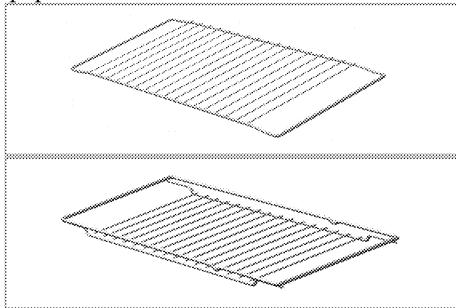
2. Противень

Предназначен для выпечки изделий из теста, размораживания замороженных продуктов и жарения продуктов большими кусками.



3. Проволочная решетка

Предназначена для жарения, а также для размещения продуктов на нужной полке при выпечке, жарении или при приготовлении в формах.



Технические характеристики

ОБЩИЕ СВЕДЕНИЯ	
Габариты (высота / ширина / глубина)	850 мм/500 мм/600 мм
Напряжение/частота	220-240 В ~ 50 Гц
Тип кабеля/сечение	H05VV-FG 3 x 0,75 мм ²
Длина кабеля	макс. 2 м
Категория газового прибора	II 2LZB/P
Тип газа/давление	NG G 20/20 мбар
Общий расход газа	10,4 кВт
Переход на тип газа/давление [§]	NG G 20/10 мбар
– дополнительно	NG G 20/13 мбар - LPG G 30/28-30 мбар
ВАРОЧНАЯ ПАНЕЛЬ	
Конфорки	
Задняя левая	Нормальная конфорка
Мощность	2 кВт
Передняя левая	Конфорка быстрого нагрева
Мощность	2,9 кВт
Передняя правая	Дополнительная конфорка
Мощность	1 кВт
Задняя правая	Нормальная конфорка
Мощность	2 кВт
ДУХОВКА/ГРИЛЬ	
Главный духовой шкаф	Газовая духовка
Лампочка внутреннего освещения	15–25 Вт
Духовка: расход газа	2,5 кВт
Класс защиты -I	



При усовершенствовании качества продукции технические характеристики могут быть изменены без предварительного уведомления.



Иллюстрации в данном руководстве являются схематичными и могут несколько отличаться от конкретного изделия.




Значения, указанные на этикетках изделия или в сопроводительной документации, получены в лабораторных условиях согласно соответствующим стандартам. Эти данные могут быть иными в зависимости от условий эксплуатации изделия.


Характеристики горелок


Расположение конфорки	2 кВт Задняя левая	2.9 кВт Передняя левая	1 кВт Передняя правая	2 кВт Задняя правая
Тип газа / давление				
G 20/10 мбар	125	155	90	125
G 20/13 мбар	116	145	84	116
G 20/20 мбар	103	115	72	103
G 30/28-30 мбар	72	87	50	72
Тип газа / давление	Газовая духовка		ГРИЛЬ	
G 20/10 мбар	130		130	
G 20/13 мбар	128		128	
G 20/20 мбар	115		115	
G 30/28-30 мбар	73		73	

3 Установка

Прибор должен устанавливаться квалифицированным специалистом в соответствии с действующими нормами и правилами. В противном случае гарантия аннулируется. Производитель не несет ответственности за повреждения в результате выполнения работ лицами, не имеющими соответствующей квалификации. Это может привести к аннулированию гарантии.

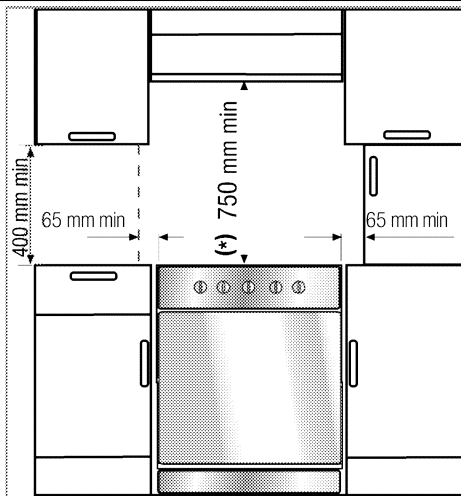
 Подготовка места установки, электрического и газового оборудования обеспечивается покупателем.

 **ОПАСНО:**
Бытовой прибор следует устанавливать в соответствии со всеми местными нормами по подключению газового и/или электрического оборудования.

 **ОПАСНО:**
Прежде чем приступать к установке, визуально проверьте отсутствие внешних дефектов духового шкафа. При наличии дефектов не устанавливайте его. Поврежденные электроприборы представляют собой угрозу вашей безопасности.

До начала установки

Для того чтобы обеспечить наличие необходимых зазоров для циркуляции воздуха под плитой, рекомендуем устанавливать ее на твердом основании так, чтобы ножки не погружались в ковер или мягкое напольное покрытие. Кухонный пол должен выдерживать вес прибора с учетом веса посуды и продуктов.



- Ее можно использовать с кухонными шкафами с обеих сторон, однако следует оставить свободное пространство минимум 400 мм над уровнем конфорок, а также боковое свободное пространство не менее 65 мм между плитой и стеной, перегородкой или высоким кухонным шкафом.
- Плита может также стоять отдельно. Обеспечьте свободное расстояние не менее 750 мм от поверхности плиты до поверхностей над ней.
- В случае установки надплитного воздухоочистителя соблюдайте инструкции его производителя в отношении высоты монтажа устройства (мин. 650 мм).
- Это устройство соответствует требованиям к приборам класса 1, и его можно устанавливать так, чтобы задняя и **одна** из боковых стенок примыкали к стенам помещения, стенкам кухонных шкафчиков или бытовых приборов любой высоты. Кухонная мебель или бытовые приборы, примыкающие с **другой**

стороны, должны быть не выше прибора.

- Вся кухонная мебель, рядом с которой устанавливается устройство, должна быть термостойкой (не менее 100 °С).

Вентиляция помещения

В помещении должно быть открывающееся окно, а в некоторых помещениях необходимо также наличие постоянной вентиляции.

Забор воздуха для процесса горения производится в помещении, и уходящие газы выделяются непосредственно в помещение.

Поэтому для безопасной эксплуатации устройства необходимо обеспечить хорошую вентиляцию помещения. Если в помещении нет окна или двери, пригодных для вентиляции, необходимо установить дополнительные средства вентиляции.

Устройство может устанавливаться в кухне, в кухне-столовой или в жилой комнате, но не в помещении с ванной или душем. Плиту запрещается устанавливать в жилой комнате площадью менее 20 м².³

Не устанавливайте плиту в помещении, находящемся ниже уровня поверхности, если оно не выходит на уровень поверхности хотя бы одной стороной.

Размер помещения	Вентиляционный проем
менее 5 м ³	не менее 100 см ²
5 м ³ до 10 м ³	не менее 50 см ²
более 10 м ³ den	не требуется
В подвальном помещении	не менее 65 см ²

Установка и подключение

Прибор следует устанавливать и подключать в соответствии с действующими нормами и правилами.



Не устанавливайте изделие рядом с холодильником или морозильной камерой. Поскольку духовой шкаф излучает тепло, холодильники будут потреблять больше электроэнергии.

- Переносить прибор должны не менее двух человек.
- Прибор следует устанавливать прямо на пол. Не устанавливайте прибор на подставки.



Не перемещайте устройство, держась за дверцу и/или за ручку дверцы. Дверца, ручка или петли могут повредиться.

Подключение к электросети

Подключайте прибор к розетке или линии с заземлением, защищенную предохранителем, мощность которого соответствует данным, приведенным в таблице "Технические характеристики". Установку заземление должен выполнять квалифицированный специалист (при использовании прибора с трансформатором или без него). Наша компания не несет ответственности за ущерб, понесенный вследствие использования прибора без заземления, выполненного в соответствии с местными нормами и правилами.



ОПАСНО:

Подключение прибора к электросети должен выполнять квалифицированный специалист, имеющий право на выполнение таких работ. Гарантийный период начинается только после правильной установки. Производитель не несет ответственности за повреждения в результате выполнения работ лицами, не имеющими соответствующей квалификации.



ОПАСНО:

Шнур питания не должен быть сдавлен, изогнут или зажат, а также не должен соприкасаться с нагревающимися компонентами изделия. Замену поврежденного шнура питания должен выполнять квалифицированный электрик. В противном случае это может привести к поражению электрическим током, короткому замыканию или возгоранию!

Параметры электрической сети должны соответствовать данным, указанным на паспортной табличке прибора.

Паспортную табличку можно увидеть либо при открытой дверце или нижней крышке, либо на задней стенке прибора, в зависимости от типа прибора.

Шнур питания прибора должен соответствовать параметрам, указанным в таблице "Технические характеристики".



К штепсельной вилке шнура питания после установки должен быть обеспечен легкий доступ (не прокладывайте шнур над варочной поверхностью).



ОПАСНО:

Перед выполнением каких-либо электромонтажных работ отключите прибор от электрической сети. Существует риск поражения электрическим током!

Включите шнур питания в розетку.

Подключение газа



ОПАСНО:

Подключение прибора к электрической сети должен выполнять квалифицированный специалист, имеющий право на выполнение таких работ. Непрофессиональный ремонт может привести к взрыву или отравлению газом!

Производитель не несет ответственности за повреждения в результате выполнения работ лицами, не имеющими соответствующей квалификации.



ОПАСНО:

Перед выполнением каких-либо работ по монтажу газовых приборов перекройте подачу газа.

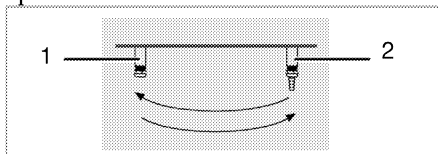
Это может привести к взрыву!

- Тип и давление газа, на которые отрегулирован прибор, указаны на паспортной таблице или маркировке.



На ваше изделие может подаваться природный газ (NG).


- Перед установкой прибора необходимо подготовить подвод природного газа.
- При необходимости можно поменять местами штуцер и заглушку на патрубках на задней стенке духовки в соответствии с местом расположения газового крана.



- 1 Заглушка
 - 2 Штуцер
- К выпускному отверстию источника газа должна быть присоединена

гибкая подводка для подвода газа к прибору, закрытая заглушкой. При установке прибора представитель службы газа вынет заглушку и присоединит прибор к газовой сети с помощью муфты.


- Газовый вентиль должен находиться в легкодоступном месте.
- Если впоследствии возникнет необходимость перевести прибор на другой вид газа, обратитесь в фирменный сервисный центр для получения консультации о том, как выполнить такой переход.

 **ОПАСНО:**
Газовый шланг не должен быть сдавлен, изогнут или зажат, а также не должен соприкасаться с нагревающимися компонентами изделия. Поврежденный газовый шланг может привести к взрыву.


- Придвиньте прибор к стене кухни.
- **Регулирование ножек духовки**
При наличии вибрации посуда во время приготовления может сдвигаться. Для предотвращения опасных ситуаций необходимо, чтобы прибор стоял ровно и устойчиво.
В целях безопасности, выровняйте прибор с помощью 4 регулируемых ножек ножки. Для этого поворачивайте их влево и вправо до тех пор, пока прибор не будет ровно стоять на столешнице.

Окончательная проверка

1. Откройте подачу газа.
2. Проверьте места подключения газа на надежность закрепления и герметичность.
3. Зажгите горелки и проверьте внешний вид пламени.

 Пламя должно быть голубым и иметь обычную форму. Если пламя имеет желтоватый оттенок, проверьте положение накладки горелки или прочистите горелку.


Переход на другой вид газа

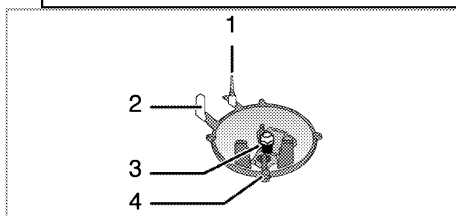
 **ОПАСНО:**
Перед выполнением каких-либо работ по монтажу газовых приборов перекройте подачу газа.
Это может привести к взрыву!

Для перехода на другой вид газа необходимо заменить все форсунки прибора и отрегулировать все краны для уменьшения подачи газа.

Замена форсунок в горелках

1. Снимите накладку горелки и выньте корпус горелки.
2. Вывинтите форсунки, поворачивая против часовой стрелки.
3. Вставьте новые форсунки.
4. Проверьте соединения на надежность закрепления и герметичность.

 Расположение новых форсунок указано на упаковке или в таблице на *Характеристики горелок, стр. 13.*



- 1 Устройство газ-контроля (в зависимости от модели)
- 2 Свеча зажигания
- 3 Форсунка
- 4 Горелка



Не снимайте газовые краны горелок без особой необходимости. В случае необходимости замены кранов обращайтесь только в фирменный сервисный центр.

Регулировка газовых кранов для уменьшения подачи газа

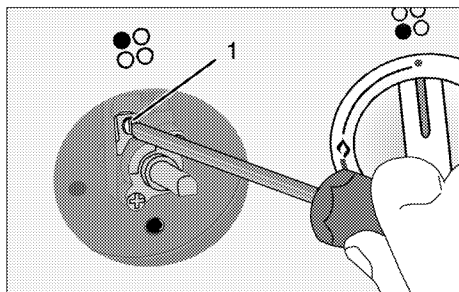
1. Зажгите горелку, которую нужно отрегулировать, и установите ручку регулятора в положение минимального пламени.
2. Снимите ручку регулятора с газового крана.
3. К винту регулировки подачи газа применяйте отвертку соответствующего размера.

Для сжиженного нефтяного газа (бутан-пропан) следует повернуть винт по часовой стрелке. Для природного газа следует повернуть винт на один оборот **против часовой стрелки**.

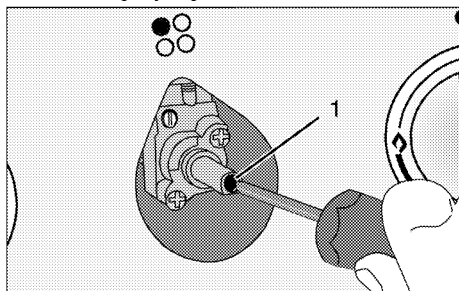
» Нормальная высота прямого пламени при установке регулятора в положение минимального пламени должна составлять 6-7 мм.

4. Если пламя выше, чем нужно, поверните винт по часовой стрелке, если ниже – поверните в противоположную сторону.
5. В качестве заключительной проверки установите регулятор конфорки в положение максимального и минимального пламени и проверьте воспламенение и выключение огня.

Положение винта регулировки подачи зависит от типа газового вентиля, используемого в устройстве.



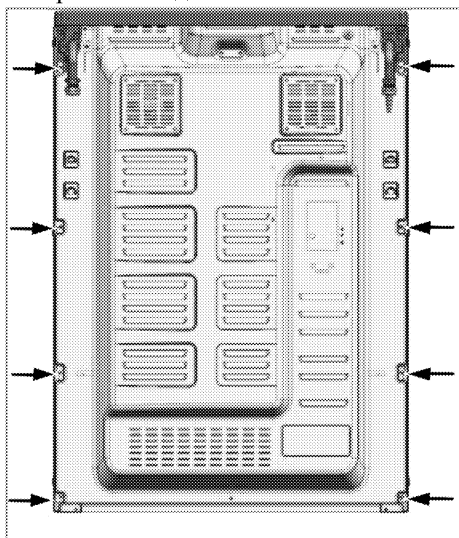
1 Винт регулировки подачи газа



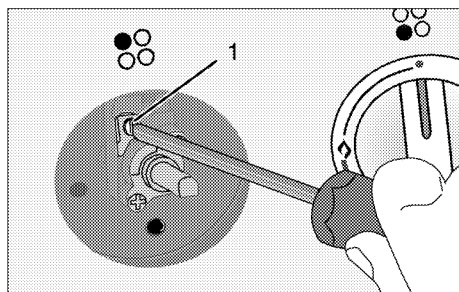
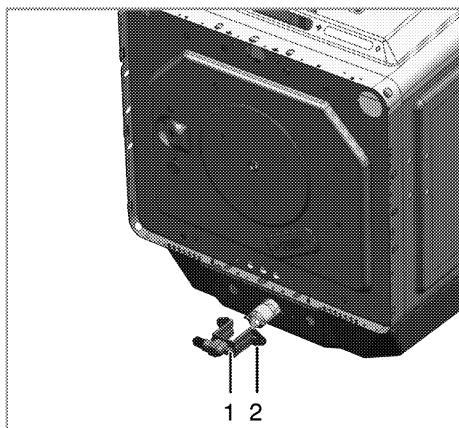
1 Винт регулировки подачи газа

Замена форсунки в духовке

1. Отвинтите винты, которыми крепится задняя стенка.



2. Отвинтите два винта (2) держателя форсунки (1).



- Отрегулируйте высоту пламени горелки духовки до 2-3 мм с помощью винта 1 на термостате духовки. Чтобы уменьшить пламя, поверните винт по часовой стрелке, чтобы увеличить – против часовой стрелки.

i Если температура в духовке слишком повысится, выключите духовку и обратитесь в фирменный сервисный центр, чтобы отремонтировать термостат.

- 1 Держатель форсунки
- 2 Винт
3. Извлеките держатель форсунки.
4. Вывинтите форсунку, поворачивая против часовой стрелки.
5. Вставьте новую форсунку.

Регулировка для уменьшения подачи газа к духовке

Для надлежащей работы духовки очень важно проверить регулировку подачи газа. Чтобы обеспечить безопасную эксплуатацию устройства, будьте предельно внимательны при выполнении этих действий.

1. Зажгите горелку, которую нужно отрегулировать, и установите ручку регулятора в положение максимального пламени.
2. Закройте дверцу духовки и подождите 10-15 минут, пока духовка будет готова к регулировке.
3. Снимите ручку регулятора.
4. Через 15 минут установите регулятор горелки духовки в положение минимального пламени.



Пропан/бутан	Природный газ
Затяните винт до конца	Ослабьте винт на пол-оборота

i При замене типа газа необходимо также заменить и паспортную табличку прибора, содержащую информацию о потребляемом газе.

Для будущей транспортировки

- Сохраните оригинальную упаковочную коробку и перевозите прибор в ней. Следуйте указаниям, нанесенным на упаковке. Если оригинальная упаковочная коробка не сохранилась, заверните изделие в пузырчатую упаковку или поместите в плотный картон. Надежно заклейте клейкой лентой.

- Чтобы проволочная решетка и противень, которые хранятся внутри духовки, не повредили дверцу, поместите с внутренней стороны дверцы картонную полосу вровень с противнями. Прикрепите дверцу духового шкафа к боковым стенкам клейкой лентой.
- Закрепите накладки горелок и подставки для посуды клейкой лентой.
- Не поднимайте и не передвигайте духовой шкаф, держась за дверцу или за ручку дверцы.

	Не размещайте на приборе никаких предметов и не ставьте его вертикально.
	Осмотрите прибор снаружи на предмет возможных повреждений при транспортировке.

4 Подготовка к эксплуатации

Рекомендации по экономии электроэнергии

Эти рекомендации помогут вам использовать изделие экологически чистым способом и экономить электроэнергию.

- Используйте в духовом шкафу темную или эмалированную посуду: это позволит улучшить теплопередачу.
- Прогревайте духовой шкаф перед приготовлением пищи, если это рекомендуется в руководстве пользователя или в инструкциях по приготовлению продуктов.
- Во время приготовления пищи не открывайте дверцу духового шкафа слишком часто.
- По возможности старайтесь готовить в духовом шкафу несколько блюд одновременно. При приготовлении пищи на решетку можно устанавливать по две емкости с продуктами.
- Готовьте блюда одно за другим. Духовой шкаф уже будет прогрет.
- Размораживайте замороженные продукты перед приготовлением.
- Готовьте пищу в закрытой посуде. При приготовлении в открытой посуде энергопотребление может возрасти в 4 раза.
- Выбирайте конфорку соответственно размеру дна посуды. Обязательно выбирайте посуду соответственно объемуготавливаемого блюда. Чем больше объем посуды, тем выше энергопотребление.

Подготовка к эксплуатации Очистка прибора перед началом эксплуатации



Некоторые моющие средства и чистящие материалы могут повредить поверхность. Не используйте для чистки агрессивные моющие средства, чистящие порошки/кремы, а также острые предметы.

1. Снимите все упаковочные материалы.
2. Протрите поверхность прибора влажной тканью или губкой и вытрите насухо.

Первоначальный прогрев

Прогрейте прибор в течение 30 минут, а затем выключите. Это обеспечит выгорание и удаление производственных загрязнений и покрытий.



ПРЕДУПРЕЖДЕНИЕ!

Горячие поверхности могут причинить ожоги! Во время работы прибор может сильно нагреваться. Не прикасайтесь к горячим конфоркам, внутренним частям духового шкафа, нагревательным элементам и т.п. Не разрешайте детям приближаться к нему. Помещая продукты в горячий духовой шкаф или вынимая их оттуда, обязательно пользуйтесь термостойкими перчатками.

Газовая духовка

1. Выньте из духового шкафа все противни и решетку.
2. Закройте дверцу духового шкафа.
3. Включите газовую духовку на максимальную мощность (см. раздел *Правила эксплуатации газовой духовки, стр. 25*).

4. Дайте духовому шкафу поработать около 30 минут.
5. Затем выключите духовой шкаф (см. раздел *Правила эксплуатации газовой духовки, стр. 25*).



При первом включении в течение нескольких часов возможно выделение дыма и запаха. Это вполне нормально. Убедитесь, что кухня хорошо проветривается, чтобы удалить дым и запах. Не вдыхайте выделяющиеся дым и запахи.

5 Правила эксплуатации варочной панели

Общие сведения о приготовлении пищи



Не заполняйте кастрюлю растительным маслом более чем на одну треть. При нагревании масла не оставляйте варочную панель без присмотра. Остерегайтесь возгорания раскаленных масел. **Не тушите огонь водой!** При возгорании масла накройте посуду одеялом или влажной тканью. По возможности выключите варочную панель и позвоните в пожарную службу.

- Перед жареньем продукты нужно обязательно обсушивать. Опускайте продукты в горячий жир с осторожностью. Замороженные продукты перед жареньем следует полностью разморозить.
- Посуду, в которой разогревается жир, накрывать нельзя.
- Посуду следует ставить на плиту таким образом, чтобы ручки не нагревались над горячей поверхностью плиты. Не ставьте на плиту неустойчивую посуду, которая легко опрокидывается.
- Не ставьте на включенные конфорки пустую посуду – это может привести к ее повреждению.
- Не оставляйте включенными конфорки, на которых нет посуды – это может привести к повреждению плиты. Обязательно выключайте конфорки после окончания приготовления пищи.
- Не ставьте на плиту пластмассовую или алюминиевую посуду, так как на горячей поверхности они могут расплавиться.

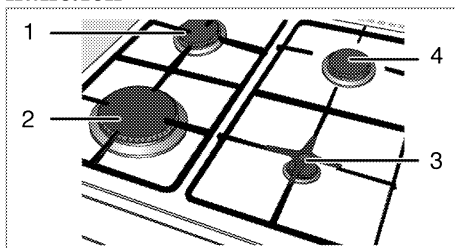
Такую посуду также не следует использовать для хранения пищевых продуктов.

- Можно использовать только посуду с плоским дном.
 - Размер посуды должен соответствовать количеству продуктов. Тогда продукты не будут выплескиваться из посуды, и не придется лишний раз мыть плиту. Не кладите на конфорки крышки кастрюль.
- Размещайте посуду по центру конфорки. Если нужно переместить посуду на другую конфорку, поднимите ее и переставьте. Ни в коем случае не передвигайте посуду по поверхности плиты.

Приготовление пищи на газовой конфорке

- Диаметр пламени должен соответствовать размеру посуды. Пламя газовой конфорки следует регулировать таким образом, чтобы оно не выходило за пределы дна посуды. Посуду следует ставить по центру конфорки.

Эксплуатация варочных панелей



- 1 Нормальная конфорка 18-20 см
 - 2 Конфорка быстрого нагрева 22-24 см
 - 3 Дополнительная конфорка 12-18 см
 - 4 Нормальная конфорка 18-20 см
- список рекомендованных диаметров посуды для использования на соответствующих конфорках.

Большой символ пламени соответствует максимальному уровню мощности, а маленький символ пламени – минимальному. В положении «выключено» (верхняя точка) подача газа к горелкам прекращается.

Розжиг газовых горелок



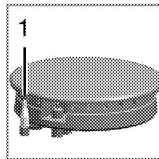
Розжиг газовых горелок выполняется с помощью кнопок поджига.

1. Прижмите регулятор горелки и поверните его против часовой стрелки в сторону большого символа пламени.
3. Нажмите и отпустите кнопку розжига. Повторяйте эту процедуру, пока газ не загорится.
4. Установите нужный уровень мощности.

Выключение газовых горелок

Поверните регулятор зоны подогрева в положение «Выключено» (вверх).

Система предотвращения утечки газа (в моделях с термопарой)



1. Система предотвращения утечки газа

Горелки снабжены предохранительным механизмом, прекращающим подачу газа, если пламя внезапно погаснет, например, его зальет жидкость.

- Для розжига прижмите регулятор и поверните его против часовой стрелки.
- Чтобы включить систему защиты, после воспламенения газа удерживайте регулятор в нажатом положении еще 3-5 секунд.
- Если после нажатия и отпускания регулятора пламя погаснет, повторите те же действия, удерживая регулятор в нажатом положении в течение 15 секунд.



ОПАСНО:

Если в течение 15 секунд розжиг горелки не произошел, отпустите кнопку. Повторите попытку не ранее, чем через 1 минуту. Существует риск накопления газа и взрыва!

6 Правила эксплуатации духовки

Общие сведения о выпекании, жарении



ПРЕДУПРЕЖДЕНИЕ!

Горячие поверхности могут причинить ожоги!
Во время работы прибор может сильно нагреваться. Не прикасайтесь к горячим конфоркам, внутренним частям духового шкафа, нагревательным элементам и т.п. Не разрешайте детям приближаться к нему.
Помещая продукты в горячий духовой шкаф или вынимая их оттуда, обязательно пользуйтесь термостойкими перчатками.



ОПАСНО:

Будьте осторожны, открывая дверцу духового шкафа, так как наружу может выходить пар. Выпускаемый пар может обжечь вам руки, лицо и/или глаза.

Советы по выпеканию

- Используйте антипригарные металлические тарелки или алюминиевые контейнеры с соответствующим покрытием, либо термостойкие силиконовые формы.
- Рационально используйте площадь решетки.
- Устанавливайте форму для выпекания в середине решетки.
- Выбирайте правильное положение решетки перед включением духового шкафа или гриля. Не изменяйте положение решетки, когда духовой шкаф горячий.
- Держите закрытой дверцу шкафа.

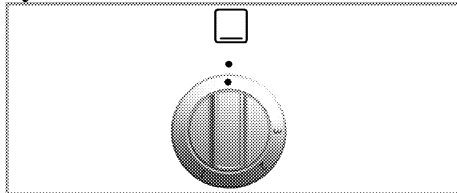
Советы по приготовлению жареных блюд

- Тушку курицы или индейки и большие куски мяса перед приготовлением рекомендуется сбрызнуть лимонным соком и

посыпать черным перцем. Тогда готовое блюдо будет вкуснее.

- Мясо с костями следует жарить на 15-30 минут дальше, чем такое же количества мяса без костей.
- На каждый сантиметр толщины мяса требуется приблизительно 4-5 минут времени приготовления.
- По истечении времени приготовления мяса оставьте его в духовом шкафу примерно на 10 минут. Сок лучше распределится внутри куска жареного мяса и не будет вытекать, когда вы будете разрезать мясо.
- Рыбу в термостойкой посуде следует готовить на решетке, установленной на средний или нижний уровень.

Правила эксплуатации газовой духовки



Для управления газовой духовкой используется ручка регулятора газовой горелки. При положении "Выключено" (вверх) подача газа прекращается.


Включение газовой духовки

Для розжига духовки используется кнопка поджига.

1. Откройте дверцу духовки.
2. Прижмите ручку регулятора газовой горелки духовки и поверните ее **против часовой стрелки**.
3. Нажмите и отпустите кнопку поджига.
4. Прижмите и не отпускайте ручку регулятора газовой горелки духовки в течение 3-5 секунд.

» Повторяйте эту процедуру, пока газ не загорится.

5. Прижмите и не отпускайте ручку регулятора газовой горелки духовки в течение 3-5 секунд. Проверьте, появилось ли пламя.
6. Выберите нужную мощность горелки, установив регулятор на соответствующую отметку.
7. В случае отсутствия электричества зажгите газ с помощью зажигалки для газовой плиты через контрольное отверстие.



ОПАСНО:
Существует риск сжатия газа и взрыва!
Не пытайтесь разжечь газ дольше 15 секунд. Если в течение 15 секунд розжиг горелки не произошел, выключите варочную панель и подождите 1 минуту. Проветрите помещение, прежде чем повторить попытку розжига горелки.
Существует риск сжатия газа и взрыва!


Выключение газовой духовки

1. Поверните ручку регулятора горелки духовки в положение "Выключено" (вверх).


Температура нагрева при различных уровнях мощности газовых горелок:

Уровень мощности газовой горелки	1	2	3
Температура в °С	170	280	300


Время приготовления блюд



1-й полкой духового шкафа является **нижняя** полка.



Максимальная нагрузка на противень – 4 кг.



Значения времени в этой таблице следует считать справочными. Они могут изменяться в зависимости от температуры продуктов, толщины, вида и ваших кулинарных предпочтений.

Чтобы брызги не попадали на под духовки и не пачкали духовку, ставьте блюдо на противень для выпечки.

Выпечка и жарение

Продукты	Разогрев *	Уровень размещения	Положение ручки регулятора	Время приготовления
Яблочный пирог	10 мин.	4	1	50...70 мин.
Фруктовый торт	10 мин.	4	1	20...40 мин.
Пирог	10 мин.	4	1	20...40 мин.
Печенье*	10 мин.	4	1	25...35 мин.
Закваска*	10 мин.	4	1	40...60 мин.
Торт	10 мин.	4	1	30...50 мин.
Сухое печенье	10 мин.	4	1	25...35 мин.
Жареная баранина	10 мин.	3	1	60...100 мин. на каждые 450 г + 30 мин.
Ростбиф	10 мин.	3	1	80...120 мин. на каждые 450 г + 30 мин.
Птица	10 мин.	3	1	60...80 мин. на каждые 450 г + 25 мин.
Запеканки	10 мин.	3	1	90...120 мин.
Рыба	10 мин.	4	1	35...45 мин.
Макароны	10 мин.	4	1	40...60 мин.
Пирожные	10 мин.	4	1	30...40 мин.
Песочный торт «Сендвич»	10 мин.	4	1	30...40 мин.

* при положении ручки регулятора 2 / 3 в зависимости от количества / 4 в зависимости от размера

7 Уход и техническое обслуживание

Общие сведения

Регулярно выполняйте чистку прибора. Это позволит продлить срок его службы, а также избежать многих проблем.



ОПАСНО:

Перед выполнением работ по обслуживанию и чистке отключите прибор от электрической сети. Существует риск поражения электрическим током!



ОПАСНО:

Дайте изделию остыть, прежде чем приступать к чистке. Горячие поверхности могут причинить ожоги!

- Прибор следует тщательно чистить после каждого использования. Так легче удалять остатки пищи, которые могут пригореть при следующем использовании прибора.
- Для чистки прибора не требуются специальные чистящие средства. Прибор можно вымыть теплой водой с добавлением жидкого моющего средства, используя мягкую ткань или губку. А затем протереть сухой тканью.
- Обязательно протирайте прибор насухо после чистки и сразу же удаляйте попавшую на него жидкость.
- Не используйте для чистки ручки и поверхностей из нержавеющей стали чистящие средства, содержащими кислоту или хлор. Эти детали можно протирать мягкой тканью, смоченной в жидком моющем средстве (без абразивных добавок), стараясь тереть в одном направлении.
- Не используйте для чистки стеклянной крышки металлические

скребки и абразивные чистящие средства, чтобы не повредить поверхность стекла.



Некоторые моющие средства и чистящие материалы могут повредить поверхность. Не используйте для чистки агрессивные моющие средства, чистящие порошки/кремы, а также острые предметы.



Не используйте для чистки устройства пароочистители, поскольку это может привести к поражению электрическим током.

Чистка варочной панели

Газовые варочные панели

1. Снимите и вымойте конфорки и накладки горелок.
2. Вымойте варочную панель.
3. Аккуратно установите накладки горелок на свои места.
4. При установке верхних решеток следите за тем, чтобы горелки находились точно по центру конфорок.

Чистка панели управления

Очистьте панель управления и ручки-регуляторы влажной тканью и вытрите насухо.



Для чистки панели управления не снимайте кнопки/ручки-регуляторы. Так можно повредить панель управления!

Чистка духовки

Чистка дверцы духовки

Мойте дверцу духовки мягкой тканью или губкой, смоченной в теплой воде с добавлением жидкого моющего средства, и вытирайте сухой тканью.



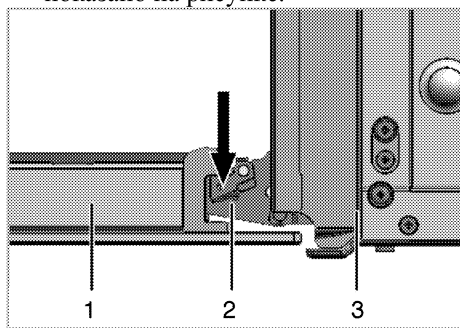
Не используйте для чистки дверцы моющие средства с абразивными веществами или металлические скребки. Они могут поцарапать поверхность и повредить стекло.



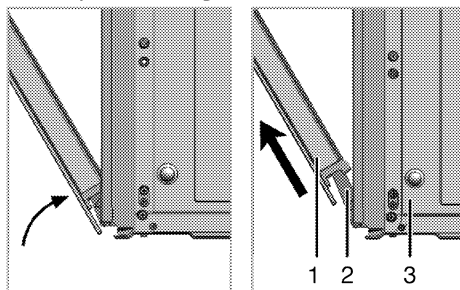
Для установки дверцы на место следует выполнить в обратном порядке действия по снятию. Не забудьте закрыть зажимы на корпусе петли при установке дверцы на место.

Снятие дверцы духового шкафа

1. Откройте переднюю дверцу (1).
2. Откройте зажимы на корпусе петли (2) с правой и левой стороны передней дверцы, нажав на них, как показано на рисунке.



- 1 Передняя дверца
- 2 Петля
- 3 Духовой шкаф

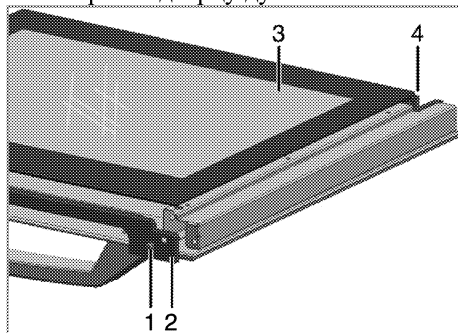


3. Откройте переднюю дверцу наполовину.
4. Снимите переднюю дверцу, потянув ее вверх и освободив от правой и левой петли.

Снятие внутреннего стекла дверцы

Внутреннее стекло панели дверцы духового шкафа можно снять для чистки.

1. Откройте дверцу духовки.



- 1 Винт
 - 2 Пластмассовый профиль
 - 3 Внутреннее стекло
 - 4 Пластмассовый держатель
2. Открутите отверткой винт (1)
 3. Выньте профиль (2), а затем внутреннее стекло (3).
 4. После чего соберите дверь, установив стекло (3) в пластмассовые держатели (4) и сгруппировав профиль.

Замена лампочки освещения духового шкафа



ОПАСНО:

Во избежание поражения электрическим током, прежде чем заменять лампочку, убедитесь в том, что электроприбор отсоединен от сети и остыл.

Горячие поверхности могут причинить ожоги!



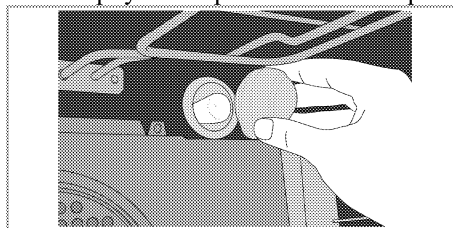
Для освещения духового шкафа используется специальная электрическая лампочка, которая может выдерживать температуру до 300 С. Дополнительные сведения см. в разделе "*Технические характеристики, стр. 12*". Лампочки освещения духового шкафа можно приобрести в фирменных сервисных центрах.



Расположение лампочки может отличаться от изображения на рисунке.

Замена круглой лампочки освещения духового шкафа

1. Отсоедините духовой шкаф от электросети.
2. Снимите стеклянный плафон, повернув его против часовой стрелки.



3. Выверните лампочку освещения духовки, поворачивая ее против часовой стрелки, и установите на ее место новую.
4. Установите на место стеклянный плафон.

8 Поиск и устранение неисправностей

Во время работы из духового шкафа выделяется пар.

- Вполне нормально, если пар выделяется во время работы. >>> *Это не является неисправностью.*

При нагревании и охлаждении прибор издает металлические шумы.

- При нагревании металлические детали могут расширяться и издавать звуки. >>> *Это не является неисправностью.*

При розжиге не вспыхивает искра.

- Нет тока. >>> *Проверьте предохранители в блоке предохранителей.*

Газ не поступает.

- Перекрыт общий газовый кран. >>> *Откройте газовый кран.*
- Перегиб газового шланга. >>> *Правильно расположите газовый шланг.*

Горелки плохо горят или вообще не горят.

- Горелки засорены. >>> *Очистите компоненты горелки.*
- Горелки влажные. >>> *Просушите компоненты горелки.*
- Накладка горелки плохо установлена. >>> *Правильно установите накладку горелки.*
- Перекрыт газовый кран. >>> *Откройте газовый кран.*
- Газовый баллон пуст (при использовании сжиженного газа). >>> *Замените газовый баллон.*



Если вы не можете устранить неполадки, несмотря на выполнение инструкций, приведенных в данном разделе, обратитесь к представителю авторизованной сервисной службы. Не пытайтесь самостоятельно отремонтировать неисправный электроприбор.

Изготовитель: «Arcelik A.S.»

Юридический адрес: Караач Джаддеси № 2-6 34445 Сютлюдже Стамбул, Турция
(Karaağaç Caddesi No:2-6 Sütlüce, 34445, Turkey)

Произведено в Турции

Импортер на территории РФ: ООО «БЕКО»

Юридический адрес: 601010, Владимирская область, Киржачский район, завод «БЕКО»
Информацию о сертификации продукта Вы можете уточнить, позвонив на горячую линию
8-800-200-23-56.

Дата производства включена в серийный номер продукта, указанный на этикетке, расположенной на продукте, а именно: первые две цифры серийного номера обозначают год производства, а последние две – месяц. Например, "10-100001-05" обозначает, что продукт произведен в мае 2010 года.

Будь ласка, спочатку прочитайте посібник користувача!

Шановний покупець!

Дякуємо за те, що надали перевагу продукції компанії «Веко». Сподіваємося, що цей високоякісний виріб, виготовлений із застосуванням найсучасніших технологій, демонструватиме найкращі результати експлуатації. Для цього рекомендуємо вам прочитати весь посібник користувача та всю супровідну документацію, перш ніж користуватися виробом, і зберегти їх для майбутнього використання в довідкових цілях. Якщо ви передасте комусь прилад, передайте й посібник користувача. Дотримуйтеся всіх попереджень й інформації, які містяться в посібнику користувача. Зверніть увагу, що цей посібник також може бути дійсним для інших моделей. У ньому буде чітко вказано розбіжності між моделями.

Пояснення до символів

У цьому посібнику користувача використано такі символи:



Важлива інформація або корисні поради з користування.



Попередження про небезпечні ситуації для життя та майна.



Попередження про ураження електричним струмом.



Попередження про ризик займання.



Попередження про гарячі поверхні.

Arçelik A.Ş.
Karaağaç caddesi No:2-6
34445 Sütlüce/Istanbul/TURKEY
Made in TURKEY

1 Важливі інструкції та попередження з техніки безпеки й охорони навколишнього середовища 4

Загальні правила техніки безпеки4
 Правила техніки безпеки для газових пристроїв4
 Безпека виробу6
 Призначення8
 Захист дітей.....8
 Утилізація старого приладу8
 Утилізація пакувальних матеріалів.....9

2 Загальна Інформація 10

Огляд.....10
 Вміст упаковки.....11
 Технічні характеристики11
 Таблиця інжекторів12

3 Встановлення 13

До початку встановлення13
 Встановлення та підключення14
 Перехід на інший тип газу.....16
 Утилізація старого приладу18

4 Підготовка 19

Поради щодо збереження електроенергії19
 Початкове використання19

Початкове очищення виробу..... 19
 Перше розігрівання..... 19

5 Правила експлуатації варильної панелі 21

Загальна інформація щодо приготування 21
 Використання варильних панелей 21

6 Використання духовки 23

Загальна інформація щодо запікання, смаження 23
 Використання газової духовки 23
 Таблиця часу приготування 24

7 Догляд і технічне обслуговування 25

Загальна інформація 25
 Чистка варильної панелі 25
 Очищення панелі управління..... 25
 Очищення духовки 25
 Демонтаж дверцят духової шафи 26
 Виймання внутрішнього скла дверцят..... 26
 Заміна лампи підсвічування духової шафи 27

8 Пошук та усунення несправностей 28

1 Важливі інструкції та попередження з техніки безпеки й охорони навколишнього середовища

У цьому розділі наведені правила техніки безпеки, які допоможуть уникнути ризику травмування та пошкодження. При недотриманні цих правил усі гарантійні зобов'язання буде анульовано.

Загальні правила техніки безпеки

- Цей виріб можуть експлуатувати діти, старші за 8 років, і люди з обмеженими фізичними, сенсорними та розумовими здібностями, а також особи, що не мають достатнього досвіду та знань, лише за умови перебування під наглядом осіб, відповідальних за їхню безпеку, чи під їхнім керівництвом стосовно безпечного користування виробом і розуміння можливих ризиків. Слідкуйте за тим, щоб діти не грали з виробом. Діти можуть чистити й обслуговувати виріб лише під наглядом.
- Не встановлюйте виріб на килимовому покритті. Недостатня вентиляція під

днищем може спричинити перегрів електричних деталей, і проблеми в роботі виробу.

- Роботи зі встановлення й ремонту мають виконувати лише представники авторизованої сервісної служби. Виробник не несе відповідальності за шкоду, заподіяну внаслідок виконання робіт особами, які на це не уповноважені. Це також може призвести до анулювання гарантії. Перед встановленням уважно прочитайте інструкції.
- Не користуйтеся виробом, якщо він несправний чи має видимі ознаки пошкодження.
- Перевіряйте, щоб щоразу після використання перемикачі функцій були вимкнені.

Правила техніки безпеки для газових пристроїв

- Усі роботи з газовим обладнанням та системами має проводити тільки авторизований кваліфікований персонал.

- Перед встановленням переконайтеся в дотриманні умов місцевої розподільної системи (тиск газу й тип газу) та умов регулювання пристрою.
- Цей пристрій не під'єднується до обладнання для видалення продуктів горіння. Його слід встановлювати та під'єднувати відповідно до поточних нормативів зі встановлення. Особливу увагу слід приділити відповідним вимогам щодо вентиляції; див. *До початку встановлення, стор. 13*
- Робота газової плити веде до утворення тепла, вологи та продуктів згорання у приміщенні, де вона встановлена. Забезпечте достатню вентиляцію кухні, особливо під час використання приладу: залиште відкритими отвори природної вентиляції або встановіть механічний вентиляційний пристрій (ковпак механічної витяжки). У разі тривалої експлуатації пристрою може знадобитися додаткова вентиляція, наприклад, збільшення рівня потужності механічної вентиляції, якщо така є».
- Слід проводити регулярну перевірку роботи газових пристроїв і систем. Регулятор, шланг і його затискач слід перевіряти регулярно й замінювати в терміни, рекомендовані виробником, чи в разі виникнення потреби.
- Регулярно чистіть газові конфорки. Полум'я має бути блакитним і рівномірним.
- Для газових пристроїв необхідне хороше згорання газу. У випадку неповного згорання може утворюватися окис вуглецю (CO). Окис вуглецю – це дуже токсичний газ без запаху та кольору, який навіть у малих дозах може призвести до смерті.
- Зверніться до постачальника газу для отримання відомостей про телефонні номери аварійної служби газу та заходи безпеки у разі появи запаху газу.

Заходи у разі появи запаху

газу

- Не використовуйте відкрите полум'я і не паліть. Не використовуйте електричні вимикачі (наприклад, вимикач світла, дверний дзвінок тощо) Не користуйтеся стаціонарним чи мобільним телефоном. Ризик вибуху й отруєння газом!
- Закрийте всі крани на газових пристроях і лічильниках газу.
- Відчиніть двері та вікна.
- Перевірте всі труби та надійність всіх з'єднань. Якщо запах газу не зникає, вийдіть з помешкання.
- Попередьте сусідів.
- Зателефонуйте до пожежної служби. Скористайтеся телефоном за межами будинку.
- Не заходьте до помешкання, доки вам не повідомлять, що це безпечно.

Безпека виробу

- Цей прилад і його зовнішні деталі під час роботи нагріваються. Будьте обережні й не торкайтеся нагрітих частин. За дітьми до 8 років треба постійно

наглядати й не допускати їх до приладу.

- Не користуйтеся виробом під впливом алкоголю й/або лікарських засобів, які погіршують кмітливість і координацію рухів.
- Будьте обережні, коли додаєте до страв алкогольні напої. Спирт випаровується за високої температури і може призвести до пожежі, зайнявшись після контакту з гарячими поверхнями.
- Перевірте, щоб поруч із пристроєм не було легкозаймистих матеріалів, оскільки бічні поверхні можуть сильно нагріватися під час роботи.
- Під час використання пристрій нагрівається. Будьте обережні й не торкайтеся нагрітих частин всередині духової шафи.
- Усі вентиляційні отвори мають бути відкриті.
- Не нагрівайте в духовій шафі закриті контейнери та скляні банки. Тиск всередині контейнера чи банки може призвести до їх вибухання.
- Не можна ставити дека для випічки, тарілки або розміщувати алюмінієву

фольгу безпосередньо на нижній поверхні духової шафи. Тепло, що акумулюється, може пошкодити нижню частину духової шафи.

- Для чищення скляних дверцят духової шафи не користуйтеся грубими абразивними засобами для чищення чи гострими металевими шкребками, щоб не подряпати поверхню, що може призвести до руйнування скла.
- Не використовуйте для чищення парові пристрої, бо це може призвести до ураження електричним струмом.
- Не користуйтеся духовою шафою, якщо скло передніх дверцят зняте чи тріснуло.
- Для встановлення й виймання страв з нагрітої духової шафи користуйтеся спеціальними термостійкими рукавицями.
- Перш ніж міняти лампочку, переконайтеся, що пристрій вимкнено, щоб уникнути ураження електричним струмом.
- Під час приготування їжі з жиром чи олією не

залишайте варильну панель без нагляду, оскільки це може призвести до пожежі.

Категорично ЗАБОРОНЕНО

використовувати воду для гасіння полум'я; натомість слід вимкнути пристрій і накрити вогонь кришкою чи протипожежним покриттям.

- Пожежна небезпека: не зберігайте речі на варильних поверхнях.

Для забезпечення пожежної безпеки виробу слід дотримуватися нижчезазначених вимог.

- Переконайтеся, що штепсельна вилка щільно вставлена в розетку та не іскрить.
- Не користуйтеся пошкодженим чи обрізаним кабелем або подовжувачем; слід використовувати лише оригінальний кабель.
- Переконайтеся, що в розетці, до якої підключено виріб, немає рідини чи вологи.
- Переконайтеся, що газ підключено належним чином, щоб уникнути витоку газу.

Призначення

- Прилад призначений для домашнього використання. Використання з комерційною метою є неприпустимим.
- Цей прилад призначений тільки для приготування їжі. Його не можна використовувати для інших цілей, наприклад, для обігріву приміщення."
- Виробник не несе відповідальності за будь-які збитки, спричинені неправильним використанням або помилками експлуатації.
- Духову шафу можна використовувати для розморожування, випічки та смаження на грилі.

Захист дітей

- Доступні частини можуть нагріватися під час використання. Не допускайте дітей до приладу.
- Пакувальні матеріали можуть становити небезпеку для дітей. Зберігайте пакувальні матеріали у місцях, недоступних для дітей. Всі компоненти упаковки слід

утилізувати відповідно до екологічних стандартів.

- Електричне й газове обладнання становить загрозу для дітей. Під час роботи приладу не допускайте до нього дітей та не дозволяйте дітям гратися з ним.
- Доступні додаткові захисні засоби для запобігання контакту з дверцятами духової шафи. Цей компонент має бути встановлено за умови присутності в приміщенні експлуатації виробу маленьких дітей.
- Не зберігайте над приладом речі, які можуть дістати діти.
- **Не** ставте на відчинені дверцята важкі речі та **не** дозволяйте дітям сидати на дверцята. Це може спричинити перекидання приладу або пошкодження петель дверцят.

Утилізація старого приладу



Утилізацію старого приладу слід проводити в екологічно безпечний спосіб.

Цей прилад позначений символом роздільного сортування для електричного та електронного обладнання (WEEE). Це означає, що з цим виробом слід поводитися відповідно до Європейської директиви 2002/96/ЕС, щоб мінімізувати негативний вплив на середовище під час його переробки або розбирання. Для отримання докладнішої інформації зверніться до місцевих чи регіональних органів влади.

Щоб дізнатися, як утилізувати прилад, зверніться до місцевого дилера чи в центр утилізації твердих відходів. Перед утилізацією приладу відріжте вилку кабелю живлення та виведіть із ладу замок дверцят (за наявності),

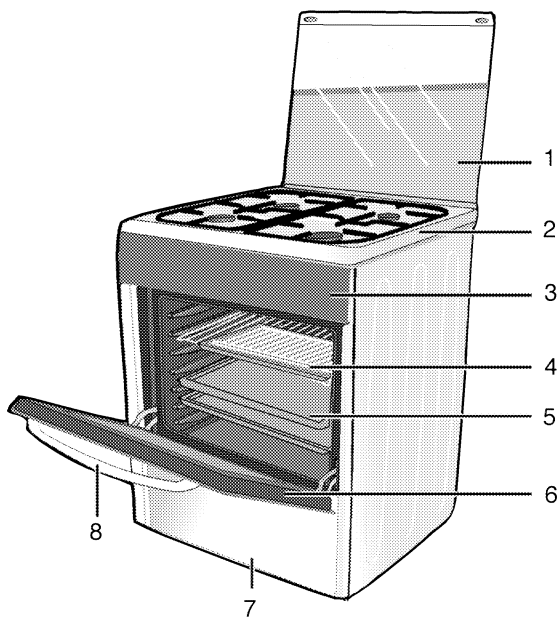
щоб запобігти небезпеці для дітей.

Утилізація пакувальних матеріалів

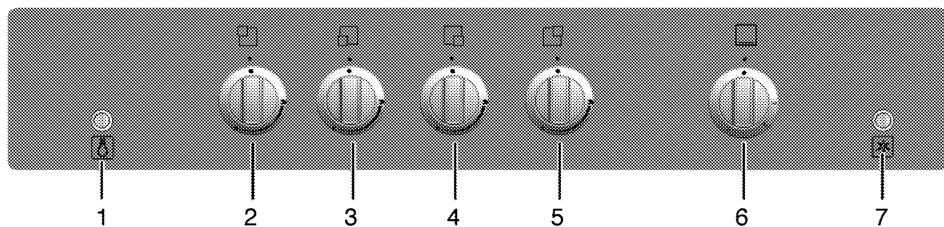
- Пакувальні матеріали становлять загрозу для дітей. Зберігайте пакувальні матеріали в безпечному й недоступному для дітей місці. Пакувальні матеріали для приладу виготовлені з матеріалів, які підлягають вторинній переробці. Правильно утилізуйте їх і сортуйте відповідно до вказівок стосовно відходів, які підлягають переробці. Не викидайте їх разом зі звичайними побутовими відходами.

2 Загальна Інформація

Огляд



- | | | | |
|---|-------------------|---|------------------|
| 1 | Верхня кришка | 5 | Піддон |
| 2 | Панель пальника | 6 | Передні дверцята |
| 3 | Панель управління | 7 | Нижня частина |
| 4 | Решітчаста полиця | 8 | Ручка |



- | | |
|---|--|
| 1 | Кнопка підсвічування |
| 2 | Нормальна конфорка Задній лівий |
| 3 | Конфорка швидкого нагріву Передній лівий |
| 4 | Додаткова конфорка Передній правий |
| 5 | Нормальна конфорка Задній правий |
| 6 | Ручка духової шафи |
| 7 | Кнопка запалювання |

Вміст упаковки

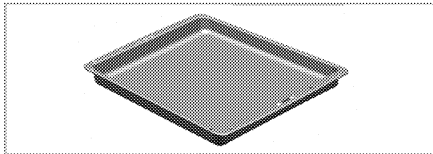


Акcesуари, що входять до комплекту постачання, залежать від моделі виробу. Комплект постачання вашого виробу може містити не всі акcesуари, описані в цьому посібнику користувача.

1. Посібник користувача

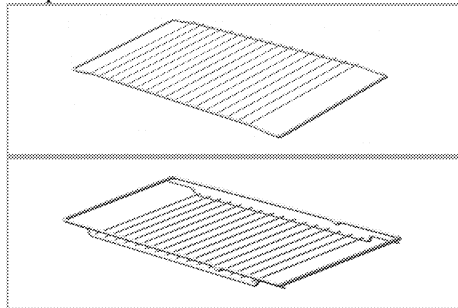
2. Деко духової шафи

Для випічки, замороженої їжі та великих шматків м'яса.



3. Решітчаста полиця

Для смаження, а також розміщення продуктів при випіканні, смаженні чи приготуванні запіканок на потрібній полиці.



Технічні характеристики

ЗАГАЛЬНІ ВІДОМОСТІ	
Зовнішні габарити (висота/ширина/глибина)	850 мм/500 мм/600 мм
Напруга/частота	220-240 В ~ 50 Гц
Тип кабелю/переріз	H05VV-FG 3 x 0,75 мм ²
Довжина кабелю	макс. 2 м
Категорія газового приладу	II 2H3VP
Тип/тиск газу	NG G 20/20 мбар
Загальне споживання газу	10.4 кВт
Перехід на тип/тиск газу ⁸	NG G 20/10 мбар
– додатково	NG G 20/13 мбар - LPG G 30/28-30 мбар
ВАРИЛЬНА ПАНЕЛЬ	
Конфорки	
Задній лівий	Нормальна конфорка
Живлення	2 кВт
Передній лівий	Конфорка швидкого нагріву
Живлення	2.9 кВт
Передній правий	Додаткова конфорка
Живлення	1 кВт
Задній правий	Нормальна конфорка
Живлення	2 кВт
ДУХОВА ШАФА/ГРИЛЬ	
Головна духова шафа	Газова духова шафа
Лампа внутрішнього освітлення	15–25 Вт
Споживання газу для духової шафи	2.5 кВт



З метою удосконалення якості продукції технічні характеристики приладу можуть бути змінені без попереднього повідомлення.



Малюнки в цьому посібнику є схематичними і можуть не відповідати вашому виробові.






Значення, наведені на табличках машини та в супровідній документації, отримані в лабораторних умовах згідно з відповідними стандартами. Залежно від умов експлуатації та навколишнього середовища ці значення можуть змінюватися.

Таблиця інжекторів

Розташування зони варильної панелі	2 кВт Задній лівий	2.9 кВт Передній лівий	1 кВт Передній правий	2 кВт Задній правий
Тип/тиск газу				
G 20/10 мбар	125	155	90	125
G 20/13 мбар	116	145	84	116
G 20/20 мбар	103	115	72	103
G 30/28-30 мбар	72	87	50	72
Тип/тиск газу	Газова духовка шафа		ГРИЛЬ	
G 20/10 мбар	130		130	
G 20/13 мбар	128		128	
G 20/20 мбар	115		115	
G 30/28-30 мбар	73		73	

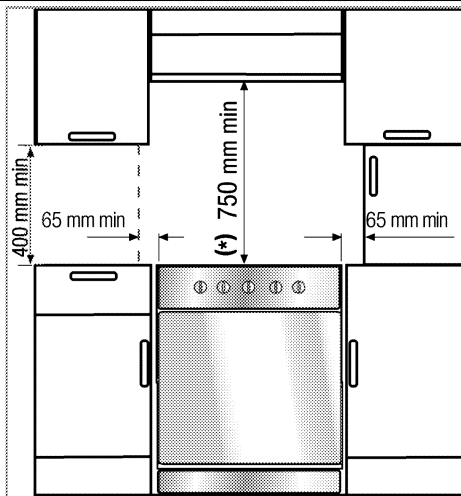
3 Встановлення

Пристрій має встановити кваліфікований спеціаліст відповідно до чинних нормативів. В іншому разі, гарантію буде анульовано. Виробник не несе відповідальності за шкоду, заподіяну внаслідок виконання робіт особами, які на це не уповноважені. Це може призвести до анулювання гарантії.

	Покупець відповідальний за підготовку місця для установки й виконання електричних і газових з'єднань.
	НЕБЕЗПЕЧНО: Прилад слід встановити відповідно до всіх місцевих норм з питань газового й/або електричного обладнання.
	НЕБЕЗПЕЧНО: Перед встановленням огляньте прилад на наявність дефектів. Якщо такі є, не встановлюйте його. Пошкоджені прилади можуть становити загрозу для вашої безпеки.

До початку встановлення

Аби забезпечити наявність необхідних проміжків для циркуляції повітря під пристроєм, рекомендуємо встановлювати його на твердій поверхні так, щоб ніжки не занурювалися в килим або м'яке підлогове покриття. Кухонна підлога має витримати вагу пристрою з урахуванням додаткової ваги посуду для приготування та страв.



- Її можна використовувати разом із кухонними шафами по обидва боки, проте необхідно залишити щонайменше 400 мм вільного простору над рівнем конфорок, а також щонайменше 65 мм вільного простору між духовкою і стінкою, перегородкою або високою кухонною шафою.
- Крім того, духовка може стояти окремо. Забезпечте вільний простір щонайменше 750 мм від поверхні духовки до поверхонь над нею.
- За необхідності встановлення надплитного очисника повітря дотримуйтеся інструкцій його виробника щодо висоти монтажу пристрою (мін. 650 мм).
- Пристрій належить до класу 1, отже, його можна встановлювати так, щоб задня поверхня й **одна** з бічних сторін сусідили з кухонними стінами, меблями чи обладнанням будь-якого розміру. Кухонні меблі чи обладнання з **іншого** боку мають дорівнювати духовій шафі за розміром чи бути меншими.

- Кухонні меблі, розташовані поряд із пристроєм, мають бути термостійкими (витримувати температуру щонайменше 100 °С).

Вентиляція приміщення

У приміщенні має бути вікно, яке можна відчинити, а в деяких приміщеннях також необхідна наявність постійної вентиляції.

Забір повітря для процесу горіння відбувається в приміщенні, й газу, що виходять, виділяються безпосередньо в приміщення.

Гарна вентиляція приміщення – необхідна умова безпечної роботи пристрою. Якщо в приміщенні немає вікна чи дверей, слід встановити додаткову систему вентиляції.

Пристрій можна встановлювати в кухні, в кухні-їдальні та житловій кімнаті, але не в приміщенні з ванною та душем.

Пристрій заборонено встановлювати в житловій кімнаті площею менше за 20 м².

Не встановлюйте пристрій в приміщенні, нижчому за рівень поверхні, якщо воно не виходить на рівень поверхні щонайменше однією стороною.

Розмір приміщення	Вентиляційний отвір
менший за 5 м ³	мін. 100 см ²
5 м ³ до 10 м ³	мін. 50 см ²
більший за 10 м ³ den	не потрібно
У підвалі чи в соколі	мін. 65 см ²

Встановлення та підключення

Виріб слід встановлювати й під'єднувати відповідно до затверджених правил встановлення.



Не встановлюйте пристрій поряд з холодильниками чи морозильниками. Тепло, випромінюване пристроєм, може призвести до зростання енергоспоживання охолоджувального обладнання.

- Виріб мають переносити щонайменше двоє людей.
- Виріб слід встановлювати безпосередньо на підлозі, а не на підставці чи стійці.



Не підіймайте й не пересувайте пристрій за дверцята чи ручку. Дверцята, ручка чи завіси можуть пошкодитися.

Електричне з'єднання

Підключіть прилад до розетки/лінії із заземленням, захищеної плавким запобіжником відповідної ємності, як указано в таблиці технічних характеристик. У разі використання з трансформатором чи без нього переконайтеся у наявності заземлення, виконаного кваліфікованим електриком. Наша компанія не несе відповідальності за збитки внаслідок використання приладу без заземлення відповідно до місцевих норм і правил.



НЕБЕЗПЕЧНО:

Підключення пристрою до джерела електроживлення має виконувати тільки авторизований кваліфікований персонал. Гарантійний період починається тільки після правильного встановлення. Виробник не несе відповідальності за шкоду, заподіяну внаслідок виконання робіт особами, які на це не уповноважені.

**НЕБЕЗПЕЧНО:**

Шнур живлення не можна затискати або згинати; він не повинен контактувати з гарячими частинами пристрою. Заміну пошкодженого шнура живлення має виконувати кваліфікований електрик. В іншому разі існує ризик ураження електричним струмом, короткого замикання чи пожежі!

Показники щодо мережі живлення мають відповідати даним у паспортній таблиці виробу. Залежно від типу пристрою паспортна таблиця впадає в око після відчинення дверцят або відкривання нижньої кришки чи знаходиться на його задній стінці. Кабель електроживлення вашого пристрою має відповідати значенням у таблиці технічних характеристик.



Після встановлення пристрою кабель електроживлення має бути легко досяжним (проте його не слід розташовувати над варильною панеллю).

**НЕБЕЗПЕЧНО:**

Перш ніж розпочинати будь-які роботи зі встановлення електричного обладнання, відключіть виріб від мережі електроживлення. Існує ризик ураження електричним струмом!

Вставте штепсельну вилку кабеля електроживлення в розетку.

Підключення газу**НЕБЕЗПЕЧНО:**

Відключення пристрою до електричної мережі має виконувати тільки уповноважений кваліфікований працівник.

Ризик вибуху чи отруєння газом через некваліфікований ремонт! Виробник не несе відповідальності за шкоду, заподіяну внаслідок виконання робіт особами, які на це не уповноважені.

**НЕБЕЗПЕЧНО:**

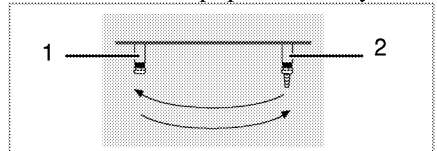
Перш ніж розпочинати будь-які роботи зі встановлення газового обладнання, перекрийте постачання газу. Існує ризик вибуху!

- Умови та значення налаштування газопостачання наведені в інформаційних табличках (або в таблиці з позначенням типу іону).



На ваш виріб може подаватися природний газ (NG).

- Під'єднання природного газу слід виконати перед встановленням пристрою.
- У разі необхідності замініть патрубок шланга ззаду духової шафи заглушкою, обираючи зручне місце залежно від розташування вентиля подачі природного газу.



- 1 Заглушка
 - 2 Патрубок шланга
- На виході системи подачі природного газу має знаходитися гнучка трубка, кінчик якої має бути закритий заглушкою. Під час

процедури підключення представник сервісної служби зніме заглушку і під'єднає пристрій за допомогою відповідного з'єднувача (муфти).

- Упевніться, що вентиль подачі природного газу досяжний.
- У разі необхідності використання пристрою з іншим типом газу проконсультуйтеся зі співробітниками авторизованої сервісної служби щодо відповідної процедури переходу на інший тип газу.



НЕБЕЗПЕЧНО:

Газовий шланг не можна затискати або згинати; він не повинен контактувати з гарячими частинами пристрою. Існує ризик вибуху через пошкоджений газовий шланг.

- Посуньте пристрій до кухонної стіни.
- **Регулювання ніжок духової шафи**
Через вібрації під час використання посуд може рухатися. Цієї небезпечної ситуації можна уникнути, якщо пристрій вирівняно та збалансовано.
Для гарантування безпеки вирівняйте пристрій, відрегулювавши чотири нижні ніжки, повертаючи їх праворуч або ліворуч, і сумістивши рівень з робочою поверхнею.

Остання перевірка

1. Відкрийте вентиль подачі газу.
2. Перевірте надійність усіх з'єднань.
3. Запаліть конфорки й перевірте на появу полум'я.



Полум'я має бути блакитним і мати звичайну форму. Якщо полум'я жовтіє, перевірте правильність положення кришки конфорки або очистіть конфорку.

Перехід на інший тип газу



НЕБЕЗПЕЧНО:

Перш ніж розпочинати будь-які роботи зі встановлення газового обладнання, перекрийте постачання газу.
Існує ризик вибуху!

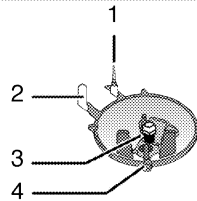
Щоб перевести пристрій на інший тип газу, замініть усі інжектори і виконайте регулювання полум'я на всіх клапанах у положенні мінімальної подачі газу.

Заміна інжекторів для конфорок

1. Зніміть кришку та корпус конфорки.
2. Вигвинтіть інжектори, повертаючи проти годинникової стрілки.
3. Встановіть нові інжектори.
4. Перевірте надійність всіх з'єднань.



Розташування нових інжекторів вказано на упаковці чи в таблиці *Таблиця інжекторів, стор. 12.*



- 1 Запобіжник гасіння (залежно від моделі)
- 2 Запальна свічка
- 3 Інжектор
- 4 Конфорка



Не намагайтеся витягти вентилі газових конфорок, за винятком аномальних умов. Для заміни вентилів слід звернутися до авторизованої сервісної служби.

Встановлення мінімального потоку газу для вентилів варильної панелі

1. Запаліть конфорку, яку слід відрегулювати, і, повернувши ручку, зменшіть горіння до мінімуму.
2. Зніміть ручку регулятора з крана подачі газу.

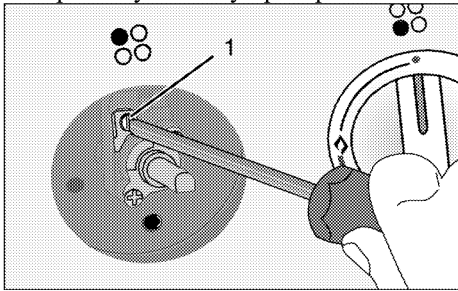
3. До гвинта регулювання подачі газу застосуйте викрутку відповідного розміру.

Для скрапленого нафтового газу (бутан-пропан) слід повернути гвинт за годинниковою стрілкою. Для природного газу слід один раз повернути гвинт **проти годинникової стрілки**.

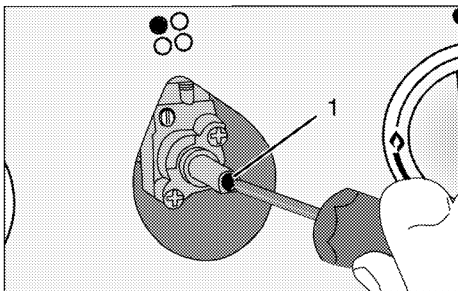
» Нормальна висота прямого полум'я у положенні мінімального потоку має становити 6-7 мм.

4. Якщо полум'я вище, поверніть гвинт за годинниковою стрілкою в потрібне положення, якщо нижче – поверніть у зворотному напрямку.
5. Насамкінець для контролю переведіть конфорку на високе полум'я, далі – на мінімальний потік і перевірте, чи горить полум'я.

Положення гвинта регулювання подачі залежить від типу крана подачі газу, використовуваного у пристрої.



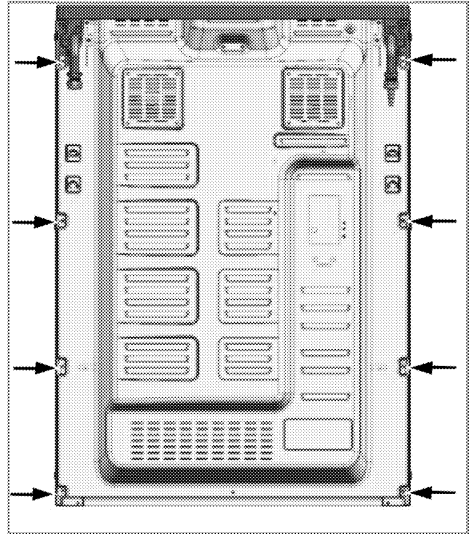
1 Гвинт регулювання подачі газу



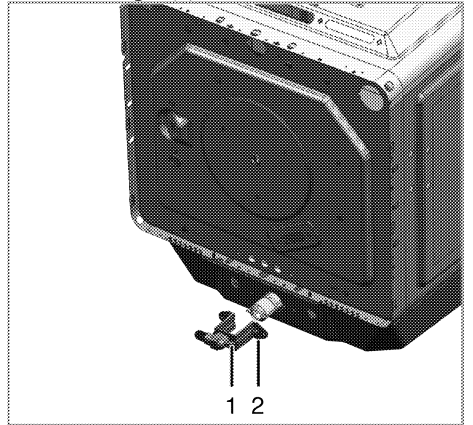
1 Гвинт регулювання подачі газу

Заміна інжекторів для духовки

1. Викрутіть фіксуючі гвинти задньої стінки.



2. Викрутіть два гвинти (2) тримача інжектора (1).



1 Тримач інжектора

2 Гвинт

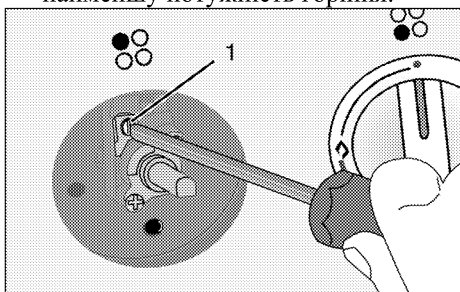
3. Вийміть тримач інжектора.
4. Вигвинтіть інжектори, повертаючи проти годинникової стрілки.
5. Встановіть новий інжектор.

Регулювання мінімальної подачі для газової духовки

Для правильної роботи духовки надзвичайно важливо виконати

повторну перевірку налаштування подачі газу. Для максимальної безпеки ці дії слід виконувати обережно.

1. Запаліть конфорку, яку слід відрегулювати, і, повернувши ручку, збільшіть горіння до максимуму.
2. Закрийте дверцята духовки і зачекайте 10-15 хвилин, поки вона нагріється для регулювання.
3. Зніміть ручку.
4. Через 15 хвилин встановіть найменшу потужність горіння.



5. Встановіть висоту полум'я на 2-3 мм, регулюючи гвинт 1 на термостаті духовки. Поворот гвинта за годинниковою стрілкою зменшує полум'я, проти годинникової стрілки – збільшує.

i Якщо температура духовки раптово зростає, вимкніть духовку і зверніться до авторизованої сервісної служби для ремонту термостата.

i Якщо тип газу для пристрою змінено, також слід замінити паспортну табличку, на якій зазначено тип газу, використовуваний пристроєм.

Утилізація старого приладу

- Збережіть оригінальну упаковку приладу й перевозьте прилад у ній. Дотримуйтеся вказівок, зазначених на упаковці. Якщо оригінальна упаковка не збереглася, обгорніть пристрій пухирчастим поліетиленом або товстим картоном і надійно заклейте стрічкою.
- Щоб запобігти пошкодженню дверцят решітчастим грилем і деками, розмістіть шматок картону з внутрішнього боку дверцят духовки нарівні з деками.
- Закріпіть кришки та підставки для каструль ізоляційною стрічкою.
- Не підіймайте й не пересувайте прилад за дверцята чи ручку.

i Не ставте на пристрій жодних предметів і не розташовуйте його вертикально.

i Перевірте загальний вигляд пристрою на можливі пошкодження під час транспортування.

Бутан/пропан	Природний газ
Затягніть гвинт до кінця	Ослабте гвинт 1/2 повороту

4 Підготовка

Поради щодо збереження електроенергії

Наведені нижче поради допоможуть використовувати пристрій, не завдаючи шкоди навколишньому середовищу та зберігаючи електроенергію:

- Користуйтеся темним чи емальованим посудом: це покращить передачу тепла.
- Під час приготування виконуйте процедуру розігрівання, якщо вона рекомендована у посібнику користувача чи рецепті.
- Під час приготування їжі не відчиняйте дверцята духової шафи занадто часто.
- Якщо це можливо, намагайтеся готувати в духовій шафі кілька страв одночасно. Ви можете готувати, розмістивши два контейнери з продуктами на решітчастому грилі.
- Готуйте одну страву за іншою, адже духову шафу вже розігріта.
- Розморозьте заморожені продукти перед приготуванням.
- Використовуйте каstrулі/сковорідки з кришками для приготування. Якщо кришки немає, енергоспоживання може зрости в 4 рази.
- Оберіть конфорку, що відповідає розміру використовуваної каstrулі. Обирайте для страв каstrулі правильного розміру. Більші каstrулі потребують більше електроенергії.

Початкове використання Початкове очищення виробу



Деякі засоби для миття або матеріали для чищення можуть пошкодити поверхню.

Під час чищення не використовуйте агресивні засоби для миття, порошки/рідини для чищення або гострі предмети.

1. Видаліть всі пакувальні матеріали.
2. Протріть поверхню виробу вологою тканиною чи губкою, а потім витріть насухо.

Перше розігрівання

Нагрівайте прилад протягом приблизно 30 хвилин, а потім вимкніть його. Таким чином буде випалено будь-які залишки речовин після виробництва або шари консервуючих речовин.



ПОПЕРЕДЖЕННЯ!

Гарячі поверхні можуть стати причиною опіків!

Під час використання пристрій може нагріватися. Не торкайтеся гарячих конфорок, внутрішніх частин духової шафи, нагрівальних елементів тощо. Не допускайте дітей до пристрою.

Для встановлення й виймання страв з нагрітої духової шафи користуйтеся спеціальними термостійкими рукавицями.

Газова духову шафу

1. Витягніть з духової шафи всі дека й решітчастий гриль.
2. Закрийте дверцята духової шафи.
3. Виберіть максимальне нагрівання для газової духової шафи; див. *Використання газової духовки, стор. 23.*
4. Дайте духовій шафі попрацювати протягом 30 хвилин.

5. Вимкніть духову шафу; див.
Використання газової духовки,
стор. 23



Після першого вмикання протягом кількох годин можуть з'явитися запах і дим. Це цілком нормально. Забезпечте достатню вентиляцію приміщення, щоб усунути дим і запах. Не вдихайте дим і запахи, що виділяються.

5 Правила експлуатації варильної панелі

Загальна інформація щодо приготування



Не заповнюйте каструлю рослинною олією понад третину. Під час нагрівання олії не залишайте варильну панель без нагляду. Перегріта олія може спричинити пожежу. **Не намагайтеся загасити пожежу водою!** При займанні олії накрийте посуд ковдрою чи вологою тканиною. Якщо це безпечно, вимкніть варильну панель і зателефонуйте до пожежної служби.

- Завжди ретельно висушуйте продукти перед смаженням й обережно опускайте їх у гарячу олію. Перед смаженням переконайтеся, що заморожені продукти цілком розморожені.
- Під час нагрівання олії не накривайте посуд кришкою.
- Розміщуйте сковорідки й каструлі так, аби їхні ручки не були розташовані над варильною панеллю для запобігання нагріванню. Не ставте на варильну панель нестійкий або здатний до перекидання посуд.
- Не ставте на увімкнені зони нагрівання порожній посуд і каструлі. Це може їх пошкодити.
- Використання зони нагрівання без посуду чи каструлі спричинить пошкодження приладу. Після завершення приготування вимкніть зони нагрівання.
- Оскільки поверхня приладу може бути гарячою, не ставте на неї пластиковий чи алюмінієвий посуд. У посуді з вищезгаданих матеріалів не варто зберігати й продукти.

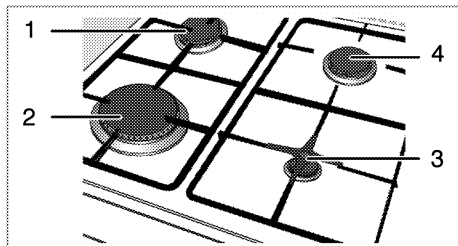
- Використовуйте лише каструлі й посуд із плоским дном.
- Наповнюйте каструлі та сковорідки достатньою кількістю їжі. Таким чином ви запобігатимете проливанню страв і зайвому чищенню.

Не кладіть на зони нагрівання кришки каструль або сковорідок. Розташовуйте каструлі по центру зони нагрівання. При бажанні перемістити каструлю на іншу зону нагрівання, замість посувати, підніміть і поставте її на потрібну зону.

Приготування на газу

- Розмір посуду має відповідати обсягу газового полум'я. Налаштуйте полум'я так, аби воно не виходило за межі дна посуду, й розташуйте посуд по центру тримача.

Використання варильних панелей



- 1 Нормальна конфорка 18-20 см
- 2 Конфорка швидкого нагріву 22-24 см
- 3 Додаткова конфорка 12-18 см
- 4 Нормальна конфорка 18-20 см перелік рекомендованих діаметрів посуду для використання на відповідних конфорках.

Зображення великого полум'я відповідає максимальній потужності нагріву, маленького полум'я – мінімальній потужності. У положенні "вимкнено"

(верхньому) подачу газу до конфорок заблоковано.

Запалювання газових конфорок



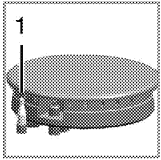
Газові конфорки запалюються за допомогою кнопок запалювання.

1. Утримуйте ручку управління конфоркою натиснутою.
2. Поверніть її проти годинникової стрілки й установіть на зображення великого полум'я.
3. Натисніть і відпустіть кнопку запалювання. Повторіть процедуру до запалювання газу, що виділяється.
4. Відрегулюйте потужність полум'я.

Вимикання газових конфорок

Поверніть ручку зони нагрівання у вимкнене (верхнє) положення.

Запобіжна система вимикання газу (у моделях із термічним компонентом)



1. Запобіжна система вимикання газу

Задля запобігання гасінню конфорок через виливання рідини спрацьовує спеціальний механізм і перекриває подачу газу.

- Натисніть ручку всередину та поверніть проти годинникової стрілки, щоб запалити газ.
- Коли газ буде запалено, натисніть й утримуйте ручку протягом 3-5 секунд, аби увімкнути запобіжну систему.
- Якщо газ не буде запалено після того, як ви натиснете й відпустите ручку, повторіть процедуру, натиснувши й утримуючи ручку протягом 15 секунд.



НЕБЕЗПЕЧНО:

Якщо протягом 15 секунд запалення конфорки не відбулося, відпустіть кнопку. Повторіть спробу щонайменше через 1 хвилину. Існує ризик накопичення газу та вибуху!

6 Використання духовки

Загальна інформація щодо запікання, смаження



ПОПЕРЕДЖЕННЯ!

Гарячі поверхні можуть стати причиною опіків!

Під час використання пристрій може нагріватися. Не торкайтеся гарячих конфорок, внутрішніх частин духової шафи, нагрівальних елементів тощо. Не допускайте дітей до пристрою.

Для встановлення й виймання страв з нагрітої духової шафи користуйтеся спеціальними термостійкими рукавицями.



НЕБЕЗПЕЧНО:

Будьте обережні, відчиняючи дверцята, оскільки назовні виходить пара.

Пара може обпалити вам руки, обличчя та/або очі.

Поради щодо запікання

- Використовуйте металевий посуд з покриттям, яке не пригорає, алюмінієві смоністі чи термостійкі силіконові форми для випічки.
- Використовуйте місце на решітці найпродуктивнішим чином.
- Встановіть форму для випікання посередині решітки.
- Вибирайте правильне положення решітки перед увімкненням духової шафи чи гриля. Не змінюйте положення решітки, якщо духовка гаряча.
- Дверцята духовки мають бути зачинені.

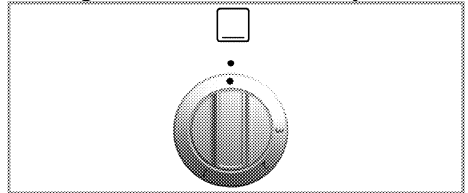
Поради щодо смаження

- Такі приправи, як лимонний сік і чорний перець, покращать результат приготування цільного курчати, індички чи великого шматка м'яса.
- Приготування м'яса з кістками триватиме на 15-30 хвилин довше,

ніж смаження м'яса аналогічного розміру без кісток.

- Дотримуйтеся розрахунку: 4-5 хвилин на сантиметр висоти м'яса.
- Після завершення часу приготування залиште м'ясо в духовці на 10 хвилин. Сік краще розподілиться по всій поверхні смаженини та не виділятиметься під час різання готової страви.
- Рибу у вогнетривкому посуді слід встановити на решітку на середньому чи низькому рівні.

Використання газової духовки




Управління функціями газової духовки здійснюється за допомогою ручки управління. У вимкненому (верхньому) положенні газ не подається.

Вмикання газової духовки

Для запалювання газової духовки скористайтеся кнопкою запалювання.

1. Відчиніть дверцята духовки.
 2. Натискаючи на ручку управління газової духовки, поверніть її **проти годинникової стрілки**.
 3. Натисніть і відпустіть кнопку запалювання.
 4. Натисніть і утримуйте ручку управління газової духової шафи протягом 3-5 секунд.
- » Повторіть процедуру до запалювання газу.
5. Натискайте на ручку управління газової духовки ще 3 – 5 секунд. Перевірте, щоб було запалено газ і горіло полум'я.
 6. Виберіть потрібну потужність нагріву/позначку газу.

7. У разі відсутності електрики запаліть газ за допомогою запальнички для газової плити через контрольний отвір.


 **НЕБЕЗПЕЧНО:**
Існує ризик стискання газу та вибуху!
Не намагайтеся запалити газ довше 15 секунд. Якщо протягом 15 секунд запалення конфорки не відбулося, вимкніть варильну панель і зачекайте 1 хвилину. Провітріть приміщення, перш ніж запалити конфорку. Існує ризик стискання газу та вибуху!


Вимикання газової духовки


1. Поверніть ручку газової духовки в положення "вимкнено" (вгору).
Ці рівні подачі газу означають наступне:

Рівень газу	1	2	3
Температура у °C	170	280	300

Таблиця часу приготування

 Першою полицею духовки є **нижня** полиця.

 Максимальне навантаження на деко духовки: 4 кг.

 Значення часу в цій таблиці слід вважати довідковими. Вони можуть змінюватися залежно від температури продуктів, товщини, виду та ваших кулінарних уподобань.

Щоб запобігти проливанню на дно духової шафи та її забрудненню, підставляйте під страви піддон для запікання.

Запікання та смаження

Страва	Підігрівання *	Рівень встановлення дека	Положення ручки управління	Час приготування
Пиріг з яблуками	10 хв.	4	1	50...70 хв.
Фруктовий пиріг	10 хв.	4	1	20...40 хв.
Пиріг	10 хв.	4	1	20...40 хв.
Печиво	10 хв.	4	1	25...35 хв.
Дріжджі	10 хв.	4	1	40...60 хв.
Кекс	10 хв.	4	1	30...50 хв.
Бісквіт	10 хв.	4	1	25...35 хв.
Смажене м'ясо молодого баранчика	10 хв.	3	1	60...100 хв. на 450 г + 30 хв.
Ростбіф	10 хв.	3	1	80...120 хв. на 450 г + 30 хв.
Свійська птиця	10 хв.	3	1	60...80 хв. на 450 г + 25 хв.
Запіканки	10 хв.	3	1	90...120 хв.
Риба	10 хв.	4	1	35...45 хв.
Макарони	10 хв.	4	1	40...60 хв.
Тістечка	10 хв.	4	1	30...40 хв.
Сандвіч «Вікторія»	10 хв.	4	1	30...40 хв.

* у положенні ручки управління 2 /⁸ залежно від кількості /⁸ залежно від розміру

7 Догляд і технічне обслуговування

Загальна інформація

За умови регулярного очищення приладу його термін використання буде подовжено, а частоту виникнення несправностей зменшено.



НЕБЕЗПЕЧНО:

Перш ніж розпочинати роботи з обслуговування та чищення, відключіть виріб від мережі електроживлення.

Існує ризик ураження електричним струмом!



НЕБЕЗПЕЧНО:

Перед очищенням пристрою зачекайте, поки він охолоне. Гарячі поверхні можуть стати причиною опіків!

- Ретельно очищуйте прилад після кожного використання. Це спрощує видалення залишків їжі та запобігає їхньому згоранню під час наступного використання приладу.
- Для чистки приладу спеціальні засоби для миття не потрібні. Використовуйте теплу воду з розчиненою в ній рідиною для миття та шматок м'якої тканини чи губку, а також шматок сухої тканини для витирання насухо.
- Слідкуйте за тим, аби після очищення ретельно витирати надлишок води чи усувати пролиті рештки.
- Не користуйтеся засобами, що містять кислоту чи хлор, для чистки поверхонь із нержавіючої сталі та ручки. Втирайте ці частини м'якою тканиною, змоченою в рідкому засобі для миття (не абразивному), не змінюючи напрямку.
- Не користуйтеся гострими металевими скребками чи жорсткими абразивними засобами

для чищення склокерамічної поверхні. Це може її пошкодити.



Деякі засоби для миття або матеріали для чищення можуть пошкодити поверхню.

Під час чищення не використовуйте агресивні засоби для миття, порошки/рідини для чищення або гострі предмети.



Не використовуйте для чищення парові пристрої, бо це може призвести до ураження електричним струмом.

Чистка варильної панелі

Газові варильні панелі

1. Зніміть й очистіть підставки для посуду та кришки газових конфорок.
2. Очистіть варильну панель.
3. Встановіть кришки газових конфорок і переконайтеся, що вони розташовані надійно.
4. Встановлюючи верхні елементи гриля, розташуйте підставки для посуду так, аби конфорки знаходилися по центру.

Очищення панелі управління

Протріть панель управління й ручки вологою тканиною й витріть їх насухо.



Не знімайте кнопки/ручки управління з панелі управління для чищення.

Це може пошкодити панель управління!

Очищення духовки

Очищення дверцят духовки

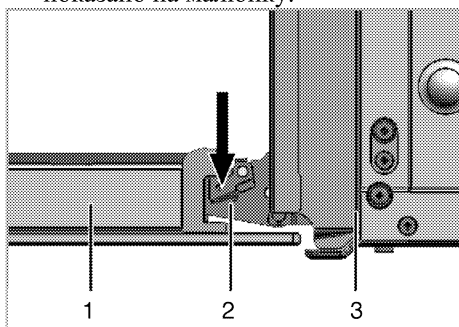
Для очищення дверцят духової шафи використовуйте теплу воду з розчиненою в ній рідиною для миття та шматок м'якої тканини чи губку, а також шматок сухої тканини для витирання насухо.



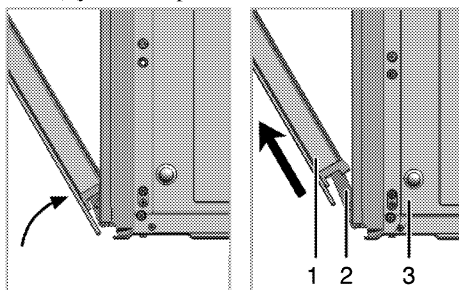
Для чищення дверцят духової шафи не користуйтеся жорсткими абразивними засобами або гострими металевими скребками. Вони можуть подрпати поверхню та пошкодити скло.

Демонтаж дверцят духової шафи

1. Відчиніть передні дверцята (1).
2. Відкрийте скоби гнізда для петлі (2) з правого та лівого боків передніх дверцят, натиснувши на скоби, як показано на малюнку.



- 1 Передні дверцята
- 2 Петля
- 3 Духова шафа



3. Трохи посуňte передні дверцята.
4. Вийміть передні дверцята, потягнувши вгору, доки вони не звільняться з правої та лівої петель.

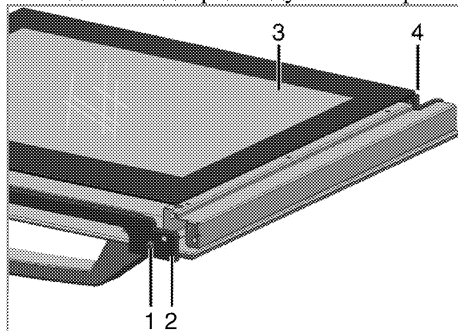


Для встановлення дверцят на місце слід повторити процес виймання у зворотному порядку. Не забудьте закрити скоби гнізда для петлі.

Виймання внутрішнього скла дверцят

Внутрішню скляну панель дверцят духової шафи можна вийняти для чистки.

1. Відчиніть дверцята духової шафи.



- 1 Гвинт
 - 2 Пластмасовий профіль
 - 3 Найглибша скляна панель
 - 4 Пластмасовий тримач
2. Викрутіть гвинт (1) викруткою
 3. Вийміть профіль (2), а потім внутрішнє скло (3).
 4. Потім знову зберіть дверцята, установіть скляну панель (3) у пластмасові тримачі (4) та згрупуйте профіль.

Заміна лампи підсвічування духової шафи



НЕБЕЗПЕЧНО:

Щоб уникнути ризику ураження електричним струмом, перш ніж замінювати лампочку, упевніться, що пристрій вимкнено і він охолов. Гарячі поверхні можуть стати причиною опіків!



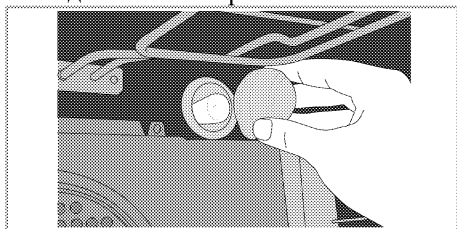
Для освітлення духової шафи використовується спеціальна електролампа, яка може витримувати температуру до 300 С. Детальніше див. у розділі "*Технічні характеристики, стор. 11*". Лампи підсвічування духової шафи можна отримати у представників авторизованої сервісної служби.



Розташування лампи може відрізнятись від зображення на малюнку.

Якщо у вашій духовій шафі встановлена кругла лампа підсвічування:

1. Від'єднайте прилад від електромережі.
2. Потім зніміть захисне скло, повернувши його проти годинникової стрілки.



3. Вийміть лампу духової шафи, повертаючи її проти годинникової стрілки, та замініть новою.
4. Встановіть захисне скло лампи на місце.

8 Пошук та усунення несправностей

Під час використання духового шафа виділяється пара.

- Зазвичай під час роботи з'являється пара. >>> *Це не несправність.*

Під час нагрівання й охолодження чути «металічні» звуки.

- Коли металічні частини нагріваються, вони можуть розширюватися і створювати шум. >>> *Це не несправність.*

Немає запальної іскри.

- Немає струму. >>> *Перевірте запобіжники.*

Газ не подається.

- Закрито основний кран подачі газу. >>> *Відкрийте кран подачі газу.*
- Труба подачі газу зігнута. >>> *Встановіть трубу подачі газу відповідним чином.*

Конфорки не працюють правильно чи взагалі не працюють.

- Конфорки брудні. >>> *Очистіть компоненти конфорок.*
- Конфорки вологі. >>> *Висушіть компоненти конфорок.*
- Кришка конфорки не встановлена щільно. >>> *Встановіть кришку конфорки щільно.*
- Закрито кран подачі газу. >>> *Відкрийте кран подачі газу.*
- Газовий балон порожній (при використанні нафтового зрідженого газу). >>> >>> *Замініть газовий балон.*



Якщо, незважаючи на застосування інструкцій цього розділу, несправність усунути не вдалося, зверніться до представника авторизованої сервісної служби чи дилера, в якого ви придбали пристрій. Не намагайтеся відремонтувати несправний пристрій самотужки.

Виробник: “Arçelik A.S.”

**“Arçelik A.S.”, м. Стамбул, Сютлюдже, вул. Карагагач №2-6, 34445, Туреччина
(Karaağaç Caddesi No:2-6 Sütluce, 34445, Turkey)**

**Імпортер на території України: ТОВ «Беко Україна»,
адреса: 01021, м. Київ, вул. Кловський узвіз, буд. 5 тел/факс.: 0-800-500-4-3-2
Термін служби десять років**

Інформацію про сертифікацію продукту Ви можете уточнити, зателефонувавши на гарячу лінію 0-800-500-4-3-2.

Дата виробництва міститься в серійному номері продукту, що вказаний на етикетці, розташованій на продукті, а саме, перші дві цифри серійного номера позначають рік виробництва, а останні дві - місяць. Наприклад, «10-100001-05» означає, що продукт виготовлений в травні 2010 року.

McGrp.Ru



Сайт техники и электроники

Наш сайт McGrp.Ru при этом не является просто хранилищем [инструкций по эксплуатации](#), это живое сообщество людей. Они общаются на форуме, задают вопросы о способах и особенностях использования техники. На все вопросы очень быстро находят ответы от таких же посетителей сайта, экспертов или администраторов. Вопрос можно задать как на форуме, так и в специальной форме на странице, где описывается интересующая вас техника.