



**HARPER**

Instruction manual **ENG**

Инструкция по эксплуатации **RUS**

Пайдалану жөніндегі Нұсқаулық **KAZ**



REFRIGERATOR  
ХОЛОДИЛЬНИК  
ТОҢАЗЫТҚЫШ

**HRF-T140M**

Thank you for choosing Harper products. Before using the device, read the operating instructions and save them in case you have any questions about the maintenance of the device.

## SAFETY PRECAUTIONS



### ATTENTION!

**Please read the instructions carefully before using it.**

- The refrigerator is designed exclusively for cooling food products at home or in conditions close to home. This includes, for example, use in staff kitchens, boarding houses, cottages, hotels and other places of residence, in the provision of ready meals and similar wholesale services. Use the device only in domestic conditions. All other uses are invalid. Improper use of the device may cause damage to the stored products or damage them.
- When buying a refrigerator, check its completeness, the absence of mechanical damage, as well as its operability.
- Before connecting the refrigerator to the mains, make sure that the voltage and frequency of the mains supply correspond to those indicated on the product label. Connect the refrigerator only to an AC power source. The refrigerator must be connected to the 220~240V / 50Hz power supply via a grounded outlet. Deviations of the voltage parameters by more than 10% may cause unstable operation of the device or damage it.
- If the supply voltage fluctuation exceeds 10%, for safety reasons, it is recommended to use an automatic voltage stabilizer to connect the refrigerator

### **IMPORTANT! To avoid electric shock:**

- Before plugging in the power supply, check the power cord for mechanical damage.
- If the power cord is damaged, it must be replaced at an authorized service center.
- Do not use extension cords or T-pieces to connect the refrigerator.
- If the refrigerator and the power cable are damaged, do not plug the refrigerator into an outlet. In such situations, contact an authorized service center.
- Do not pull the power cord when disconnecting the power cord plug; hold only the power cord plug with your hand.
- Do not bend or extend the power cord

- Use an outlet that has a reliable ground contact. Do not connect other power-intensive devices to this outlet.
- The outlet should not be located behind the appliance, it should be easily accessible.
- Make sure that the power cable is located at a sufficient distance from the compressor and from the back wall of the refrigerator, which is always very hot during the operation of the refrigerator.
- Contact of the power cable with the compressor may cause damage to the cable insulation and leakage of current.

#### **OTHER SAFETY PRECAUTIONS:**

- The device is not suitable for use by people with physical, sensory or mental disabilities, or those who do not have sufficient knowledge and practice, unless they are instructed by people responsible for their safety.
- Do not allow children to play with the refrigerator.
- Do not leave children with the refrigerator unattended.

#### During transportation:

- When moving the refrigerator, do not place it horizontally or at an angle of more than 45 degrees to the vertical.

#### During installation:

- Do not place the refrigerator in direct sunlight, near a stove, heating system, or other similar appliances.
- The refrigerator should be installed on a flat and hard surface. Do not install the refrigerator on a soft material, such as foam. If the refrigerator is standing unevenly, adjust its position with the screws on the stands.
- Do not use the refrigerator in areas with high humidity (in the bathroom, in the shower, near the pool, etc.), as this can lead to rust on the metal parts of the refrigerator.
- Do not spray water on or inside the refrigerator, as this may cause a short circuit.
- Install the refrigerator in well-ventilated areas. Sufficient ventilation allows the refrigerator to operate as efficiently as possible with low power consumption, and also contributes to heat dissipation. To ensure sufficient ventilation, it is necessary to provide a free space around the refrigerator of at least 10 cm on all sides and at least 20 cm on top.

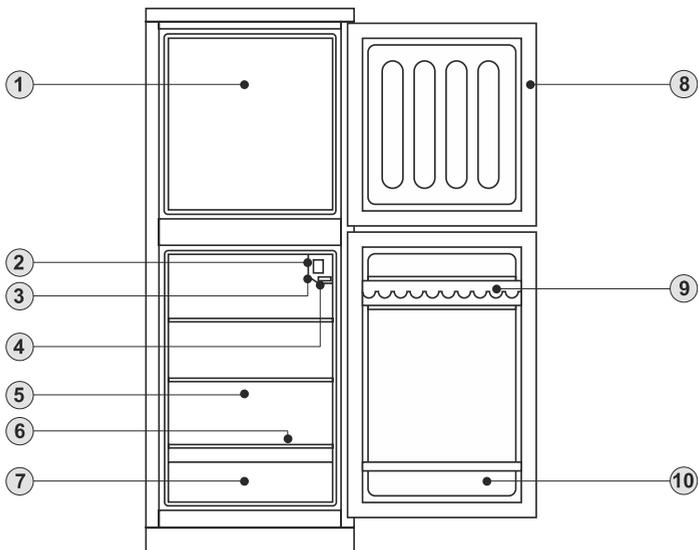
- Do not install the refrigerator in niches, cabinets, closets, and other poorly ventilated areas.
- Do not block the ventilation outside or inside the refrigerator.
- The device is not intended for use in an explosive environment. It is forbidden to operate the refrigerator if there are volatile or explosive substances near it, such as: gasoline, alcohol, varnish, acetone, etc. It is also forbidden to store such substances inside the refrigerator.

#### **WHILE CLEANING AND DEFROSTING:**

- When cleaning, first disconnect the refrigerator from the mains to prevent the risk of electric shock.
- Do not place any working electrical devices in the refrigerator.
- Moisture contained in food or entering the refrigerator when the door is opened can form a layer of ice inside the appliance, which reduces the refrigerator's operability.
- When the thickness of the ice layer reaches 2 mm, the refrigerator should be defrosted.
- It is not recommended to defrost the refrigerator directly with hot water or with a hair dryer, in order to avoid deformation of the inner surface of the chamber.
- Do not remove the ice from the freezer with sharp objects, as this may damage the inner surface of the freezer or the surface of the evaporator.
- Be careful not to damage the refrigerant circuit.
- Failure to observe safety precautions may result in damage to the refrigerator, electric shock, short circuit, or fire.
- In the event of a malfunction, contact an authorized service center.
- Unskilled repairs remove the refrigerator from warranty service.
- Only original spare parts can be used to repair the refrigerator.
- The manufacturer is not responsible for any damage caused by improper use of the refrigerator or non-compliance with safety and security measures.

**FORBIDDEN!** The R600a refrigerant and the cyclopentane insulation foam used in the refrigerator are combustible materials. The refrigerators to be disposed of must be insulated from fire sources and must not be incinerated.

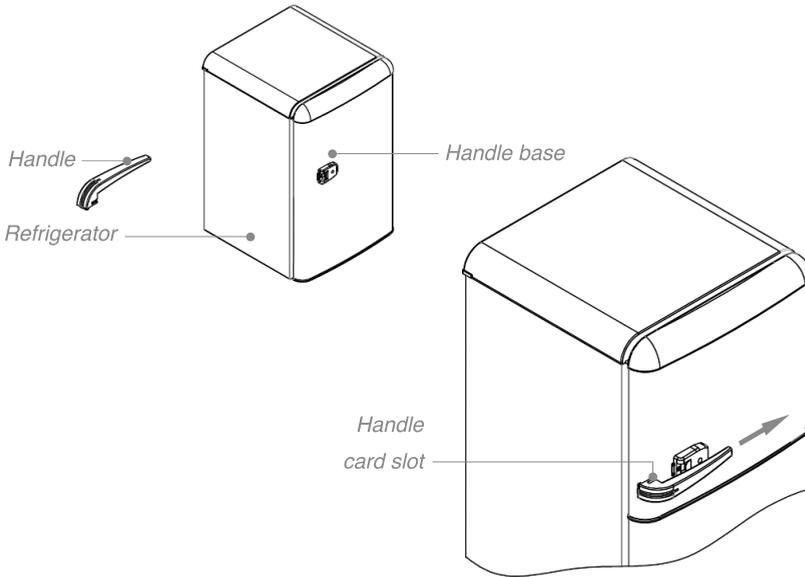
**CAUTION!** To avoid accidents with children, please remove the door from the refrigerator before scrapping it.



- 1. Freezer compartment
- 2. The thermostat
- 3. Switch seasons
- 4. Lamp switch
- 5. Cold storage
- 6. Refrigerator shelves
- 7. Vegetable compartment
- 8. Door sealer
- 9. Egg compartment
- 10. Bottle compartment

*\*The drawing is approximate. The actual design of the refrigerator may differ depending on the model.*

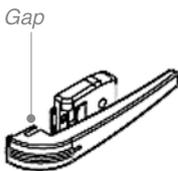
# REFRIGERATOR HANDLE INSTALLATION MANUAL



## Attention:

*Note that the card slot of the handle is embedded in the protruding block of the base.*

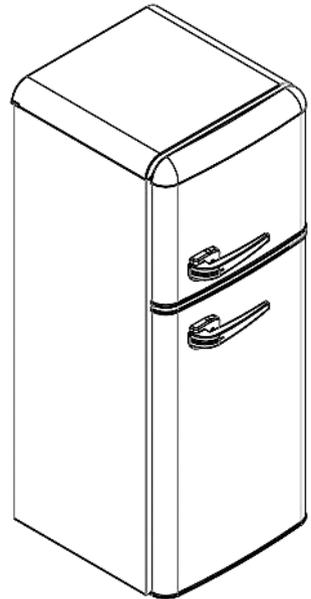
*Push the hand to fit to the corresponding position*



wrong



right

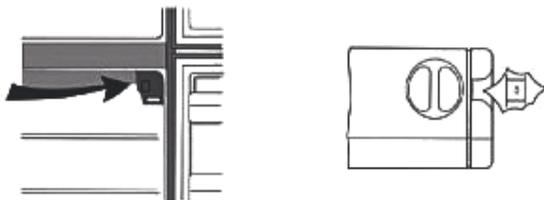


## FIRST ACTIVATION

- All parts are properly packed at the factory. Remove the packaging liners and adhesive tapes after opening the packaging box.
  - Wipe the appliance inside and out with a cloth soaked in warm water and a small amount of detergent.
  - Make sure that the power supply voltage in the power supply corresponds to the required one. The refrigerator plug and the household outlet must be of the same type and suitable for use. If it turned out that it is impossible to connect the refrigerator without reworking the plug, then operation is impossible. If the refrigerator is connected to the mains, after the plug is changed, or with the use of a splitter, in this case, the manufacturer disclaims all responsibility for further operation.
  - Before switching on for the first time, set the temperature control to position 1...4 and allow the refrigerator to work for at least 2 hours to reach the desired mode. Based on the storage conditions of the refrigerator before the first start, it is possible to start the compressor after 30 minutes after connecting to the network.
  - After turning off the refrigerator from the mains or setting the regulator to the "0" position, the next start is possible only after 3-5 minutes. This is a prerequisite due to physical processes. This pause before switching on again ensures long and uninterrupted operation of the product.
  - After the first switch-on, the compressor is allowed to make increased noise, which should stop after a while, when the refrigerator enters normal operation. The smell of plastic will also disappear within a few hours.
  - If you notice any vibration in the housing after connecting the refrigerator, make sure that the housing is installed strictly horizontally, and all 4 stands are firmly supported on the floor surface.
- \* Some modifications of refrigerators are equipped with adjustable stands, with which you can ensure a stable position of the refrigerator body.

## TEMPERATURE CONTROLLER

Position 0 is the power-off point. When the thermostat is set to this position, the compressor stops working, the refrigerator does not work, and the light in the compartment is turned off. If you want to turn off the refrigerator, you need to set the temperature control knob to position 0.



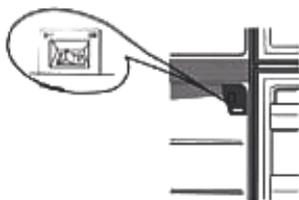
The temperature in the refrigerator decreases as the value of the thermostat position increases from 1 to 7 clockwise. For urgent food freezing or quick ice making, set the thermostat knob to position 7. It is recommended to set the knob to position 5 for normal use

*Note.*

*When the thermostat knob is set to position 7 for a long time, the refrigerator may become icy.*



When the ambient temperature is too low (below 10 °C), the compressor may stop for a long period, and the temperature in the freezer will become too high. In this case, you must press the corresponding season button installed under the thermostat.



\* - the calibration of the controller may differ from the sketch shown.



## DEFROSTING AND CLEANING

### DEFROSTING

**IMPORTANT!** ! Before defrosting, the device must be disconnected from the mains or set the temperature controller to the “0” position.

Defrosting is a mandatory periodic procedure during the operation of the refrigerator, which ensures long operation, reduces energy consumption, and minimizes foreign odors. If a layer of frost (ice) of more than 5 mm appears on the walls of the freezer, the refrigerator must be defrosted:

- To defrost, turn off the appliance. Remove the power plug from the wall outlet or set the temperature control to the “0” position.
- Wrap frozen food in paper or cover it with a blanket and place it in a cool place. You can also put food in an insulated bag or other refrigerator for this time.
- The defrosting process can be accelerated by placing a container of hot water inside the refrigerator.
- After thawing, frost and ice can be removed by hand. Do not use mechanical devices (knives, forks, etc.), even those made of plastic. You can easily damage the camera, break the tightness, which will lead to the need for expensive repairs.
- Collect the remaining moisture with a sponge.
- During defrosting, it is recommended to clean the case and the back of the refrigerator. You can use a vacuum cleaner. Be careful when cleaning the back side.
- Do not damage the connecting pipes and other fragile parts of the refrigerator.
- The defrosting and cleaning procedure must also be carried out before long-term storage of the refrigerator. In this case, the door can be left open for 1 cm, securing, for example, with masking tape. Such a simple measure will reduce the likelihood of a musty smell.

### PROHIBITED:

- Use electric heaters when thawing.
- Use sharp objects to remove ice and frost.
- Use chlorine-containing agents and acids when cleaning the refrigerator.

## CLEANING

**IMPORTANT!** Before cleaning, the appliance must be disconnected from the mains. To do this, pull out the power plug. Setting the temperature controller to the “0” position only disables the cooling system, but does not disconnect the appliance from the power supply.

- To clean the refrigerator, perform the defrosting procedure.
- Dust and dirt behind and under the refrigerator must be removed in a timely manner to ensure good ventilation and maintain a low level of electricity consumption.
- The inside of the refrigerator should also be cleaned regularly to prevent the appearance of odors.
- Internal surfaces, equipment parts and external walls should be washed with warm water with a small amount of detergent. Do not use large amounts of water.
- Do not use abrasive products or acid-containing cleaning products, as well as chemical solvents, hard brushes, metal sponges, products containing alcohol, acetone.
- The washed surfaces should be well dried with a piece of dry cloth.
- Do not use steam cleaners!



Make sure that the washing water does not get on the electrical parts. Use a dry cloth to clean the temperature controller and electrical parts.

Some rules and operating tips

- *When storing food, use paper or special containers*
- *Do not place hot food or containers in the refrigerator. Let it cool to ambient temperature.*
- *Do not place glass containers with liquid or other fragile utensils in the refrigerator. It is possible that in case of strong cooling, fragile dishes will collapse (crack, break).*
- *Do not leave the refrigerator door open for a long time while the compressor is running.*
- *Do not store technical liquids in the refrigerator.*
- *Before storing the refrigerator for a long time, perform the defrosting procedure. When storing, leave the door ajar for 1 cm, securing, for example, with masking tape to avoid the appearance of foreign odors.*

## TROUBLESHOOTING

The refrigerator is designed and manufactured for a long service life without malfunctions. If a malfunction does occur during operation, check to see if it is related to a possible usage error.

Mulfunction	Possible cause	Solutions
Long-term operation of the compressor without disconnecting	The temperature controller is set to the maximum mode.	Check that the temperature control is not set to the maximum value. Set the radio button to a lower value.
	The refrigerator door closes loosely.	Check that the door is attached to the refrigerator body when closing.
	installed near a source of high temperature (heating devices, direct sunlight, etc.).	Install the refrigerator at a sufficient distance from the heat source.
	An excessive amount of food is placed in the refrigerator, which interferes with the air circulation inside the refrigerator.	Remove excess food from the refrigerator.
	Too hot food is placed in the refrigerator.	Do not place hot food in the refrigerator.
The compressor does not work in winter	At a low ambient temperature, the temperature controller was not moved to the position with a value greater than "0".	Turn the temperature control to the position corresponding to the values from " 1 " to the maximum.
The noise level is too high (the normal noise level does not exceed 43 dB)	The refrigerator is not placed on a level with the floor plane.	Adjust the stands to the floor level.
	The door fastener is not tight enough	Tighten the door fastener.
	The resonance of the capillary tube.	Fill the space with a soft cloth or synthetic sponge.

The compressor operates normally, but the temperature inside the refrigerator does not reach the required level	Opening the refrigerator door too often.	Reduce the number of openings.
	Too dense filling of the refrigerator compartment and the wrong arrangement of products inside it	Redistribute the contents of the refrigerator
	A too thick layer of frost on the surface of the condenser.	Disconnect the appliance from the mains and perform defrosting and cleaning..
	Refrigerant leak.	Contact an authorized service center for repairs.
	The refrigerator door closes loosely..	Contact an authorized service center to replace the door fastener.

## TRANSPORTATION AND INSTALLATION

### TRANSPORTATION

- During transport, the angle of inclination of the refrigerator can not exceed 45 degrees.
- Do not turn the refrigerator over, place it horizontally, or shake it. Hold the door when moving the refrigerator.
- Before using the refrigerator, remove all packaging materials, including packaging materials under, on the side, and inside the refrigerator. Remove the protective cover from the refrigerator door and body.

**IMPORTANT!** Do not allow children to play with the packaging material, there is a risk of suffocation with the packaging material and film!

### INSTALLATION

- The refrigerator is intended for indoor use only.
- The floor at the installation site must be firm and level.
- When installing, make sure that the device is in a stable position and is positioned in accordance with the floor plane.
- To ensure proper ventilation of your refrigerator, it should be installed with a minimum clearance of 10 cm on all sides and 20 cm on top. Insufficient free space can lead to overheating of the device and excessive power consumption.
- Do not install the appliance in direct sunlight, near a stove, heating system, or other similar appliances.

- Do not install the refrigerator in a damp or wet place, in areas where water splashes, to avoid rust and other malfunctions.

## SAFE DISPOSAL



This marking indicates that this product should not be disposed of together with other household waste throughout the EU. To prevent possible harm to the environment or human health by uncontrolled disposal of waste, dispose of it responsibly to promote the sustainable reuse of material resources. To return a used product, use the return and collection systems or contact the seller from whom the product was purchased. It can accept this product for environmentally friendly disposal.

## WARRANTY AND REPAIR

This device was manufactured and tested according to the necessary methods. The manufacturer provides a warranty for the normal operation of the device for 12 months from the date of purchase, subject to the conditions specified in the product warranty card and the following points:

- All defects related to material and manufacturing defects are eliminated free of charge during the warranty period. Complaints should be registered immediately after the defects are detected.
- Damage caused by improper handling, maintenance, improper installation or maintenance, with unqualified connection or installation, as well as force majeure or other external influences, is not covered by the warranty.
- We reserve the right, upon receipt of a complaint, to repair or replace defective parts, or to exchange the device. The replaced parts become our property.
- No further claims can be made based on the warranty. The buyer receives the right to a guarantee on condition of presenting a properly filled out warranty card.
- Terms of warranty repairs, addresses of authorized service centers can be found on the company's website [www.harper.ru](http://www.harper.ru)

Additionally: if the device has stopped functioning properly, before contacting the service center, we suggest that you first check whether there are no other reasons for this, such as an interrupted power supply.

## TECHNICAL SPECIFICATIONS

<b>Model</b>	<b>HRF-T140M</b>
Total capacity, l	138
Refrigerator compartment capacity, l	96
Freezer capacity, l	42
Voltage, current frequency, V / Hz	220-240~/50
Energy consumption class	A+
Protection class against electric shock	I
Electricity consumption, kWh / year	172,6
Climate class	SN / N / ST
Type of refrigerant	R600a
Mass of the refrigerant, g	28
Noise level, dB	less than 43
Temperature control	mechanical
Defrosting	manual
Product dimensions (WxDxH), cm	400x485x1070
Package dimensions (WxDxH), cm	470x485x1070
Net/gross weight, kg	21 / 23

Technical specifications are subject to change by the manufacturer without prior notice. Drawings and sketches are approximate in nature. The specified weight and geometric dimensions are approximate values



The products have passed all the evaluation procedures established in the technical regulations of the Customs Union and the Eurasian Economic Union.

Detailed information on the certification of our devices, technical regulations, data on the certificate number and its validity period, the body that issued the certificate, you can get on the official website of the organization

<https://harper.ru/certification>, or to clarify by calling the customer support number,

tel.: 8-800-600-7107

The production date is indicated on the package

Service life -36 months

Warranty period-12 months

Warranty service is provided according to the attached warranty card.

The warranty card and the user manual are integral parts of this product.

For more information about the product and the data of an authorized service center, please visit the website <https://harper.ru> or by calling technical support 8-800-600-7107

Manufacturer: Harper International Trading Limited 15F, Radio City, 505 Hennessy Road, Causeway Bay, Hong Kong

Made in PRC

Importer / organization authorized to accept claims:

LLC «Progress-Plus» 119607, Moscow, Udaltsova st., 50, bldg. 1,

tel: +74951330210



Благодарим Вас за выбор продукции Harper. Перед началом использования ознакомьтесь с инструкцией по эксплуатации и сохраните ее на случай возникновения вопросов по обслуживанию устройства.

## МЕРЫ ПРЕДОСТОРОЖНОСТИ



### **ВНИМАНИЕ!**

**Пожалуйста, перед использованием внимательно изучите инструкцию.**

- Холодильник предназначен исключительно для охлаждения пищевых продуктов в домашних условиях или условиях, приближенных к домашним. Сюда относится, например, использование на кухнях для персонала, в пансионатах, в коттеджах, отелях и других местах для проживания, при обеспечении готовым питанием и аналогичных услугах оптовой торговли. Используйте прибор только в бытовых условиях. Все другие способы применения являются недопустимыми. Неправильное использование прибора может привести к повреждениям хранящихся изделий или к их порче.
- При покупке холодильника проверьте его комплектность, отсутствие механических повреждений, а также работоспособность.
- Перед включением холодильника в сеть убедитесь, что напряжение и частота электросети соответствуют указанным на маркировке изделия. Подключайте холодильник только к источнику переменного тока. Холодильник должен быть подключен к электросети 220~240В / 50Гц через розетку с заземлением. Отклонения параметров напряжения более чем на 10% могут повлечь нестабильную работу устройства или его повреждение.
- Если колебания напряжения питающей сети превышают 10%, в целях безопасности рекомендуется использовать автоматический стабилизатор напряжения для подключения холодильника.

**ВАЖНО! Во избежание поражения электрическим током:**

- Перед включением в электросеть необходимо проверить шнур питания на предмет отсутствия механических повреждений.
- При повреждении шнура питания, его необходимо заменить в авторизованном сервисном центре.
- Не используйте удлинители и тройники для подключения холодильника.



- При наличии повреждений холодильника и сетевого кабеля ни в коем случае не включайте холодильник в розетку. В таких ситуациях обратитесь в авторизованный сервисный центр.
- Не тяните за шнур при отключении вилки сетевого шнура, держитесь рукой только за вилку сетевого шнура.
- Запрещается перегибать или наращивать кабель питания
- Используйте розетку, имеющую надежный контакт заземления. Не подключайте к этой розетке другие энергоемкие устройства.
- Розетка не должна находиться за прибором, она должна быть легкодоступной.
- Следите, чтобы кабель питания находился на достаточном расстоянии от компрессора и от задней стенки холодильника, которая во время работы холодильника всегда сильно нагревается.
- Контакт кабеля питания с компрессором может привести к повреждению изоляции кабеля и утечке тока.

#### **ПРОЧИЕ МЕРЫ ПРЕДОСТОРОЖНОСТИ:**

- Прибор не приспособлен для использования людьми с ограниченными физическими, сенсорными или умственными способностями, а также теми, кто не имеет достаточно знаний и практики, если они не проинструктированы людьми, ответственными за их безопасность.
- Не позволяйте детям играть с холодильником.
- Не оставляйте малолетних детей с холодильником без присмотра.
- При перемещении холодильника запрещается располагать его горизонтально или под углом более 45 градусов к вертикали. При установке:
- Не устанавливайте холодильник в зоне прямых солнечных лучей, рядом с плитой, системой отопления и другими аналогичными приборами.
- Холодильник следует устанавливать на ровную и твердую поверхность. Запрещается устанавливать холодильник на мягкий материал, например, пенопласт. Если холодильник стоит неровно, отрегулируйте его положение с помощью винтов на ножках.
- Запрещается использовать холодильник в помещениях с повышенной влажностью (в ванной, в душе, рядом с бассейном и т.п.), так как это может привести к появлению ржавчины на металлических деталях холодильника.
- Запрещается разбрызгивать на холодильник или внутри него воду, так как это может привести к короткому замыканию.

- Устанавливайте холодильник в хорошо вентилируемых помещениях. Достаточная вентиляция позволяет холодильнику работать максимально эффективно при низком потреблении мощности, а также способствует отводу тепла. Для обеспечения достаточной вентиляции необходимо обеспечить свободное пространство вокруг холодильника не менее 10 см со всех сторон и не менее 20 см сверху.

- Не устанавливайте холодильник в нишах, шкафах, чуланах и т.п. плохо вентилируемых местах.

- Запрещается перекрывать вентиляцию снаружи и внутри холодильника.

- Прибор не предназначен для эксплуатации во взрывоопасном окружении. Запрещается эксплуатировать холодильник, если рядом с ним находятся летучие или взрывоопасные вещества, такие как: бензин, спирт, лак, ацетон и др. Также запрещается хранить подобные вещества внутри холодильника.

## **ПРИ ЧИСТКЕ И РАЗМОРАЖИВАНИИ:**

- При чистке отсоедините сначала холодильник от электрической сети для предотвращения опасности поражения электрическим током.

- Не помещайте какие-либо работающие электрические устройства в холодильник.

- Влага, содержащаяся в продуктах или попадающая внутрь холодильника при открытии дверцы, может образовывать слой льда внутри прибора, который уменьшает работоспособность холодильника.

- Когда толщина слоя льда достигает 2 мм, холодильник следует разморозить.

- Не рекомендуется размораживать холодильник непосредственно горячей водой или с помощью фена, во избежание деформации внутренней поверхности камеры.

- Запрещается удалять лед из морозильной камеры с помощью острых предметов, так как это может привести к повреждению внутренней поверхности камеры или поверхности испарителя.

- Будьте внимательны, чтобы не повредить контур хладагента.

- Несоблюдение мер предосторожности и безопасности может привести к порче холодильника, поражению электрическим током, короткому замыканию или пожару.

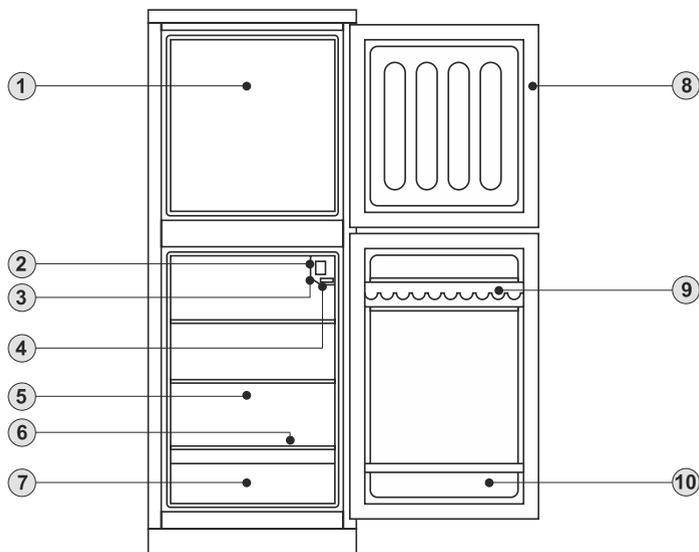
- В случае возникновения неисправностей следует обращаться в авторизованные сервисные центры.

- Неквалифицированный ремонт снимает холодильник с гарантийного обслуживания.
- Для ремонта холодильника могут быть использованы только оригинальные запасные части.
- Производитель не несет ответственности за какие-либо повреждения, возникшие вследствие неправильного использования холодильника или несоблюдения мер предосторожности и безопасности.

**ЗАПРЕЩАЕТСЯ!** Хладагент R600a и изоляционный пенопласт из циклопентана, используемые в холодильнике, являются горючими материалами. Утилизируемые холодильники должны быть изолированы от источников огня и не должны сжигаться.

**ОСТОРОЖНО!** Во избежание несчастных случаев с детьми, перед сдачей холодильника в утиль, пожалуйста, снимите с него дверь.

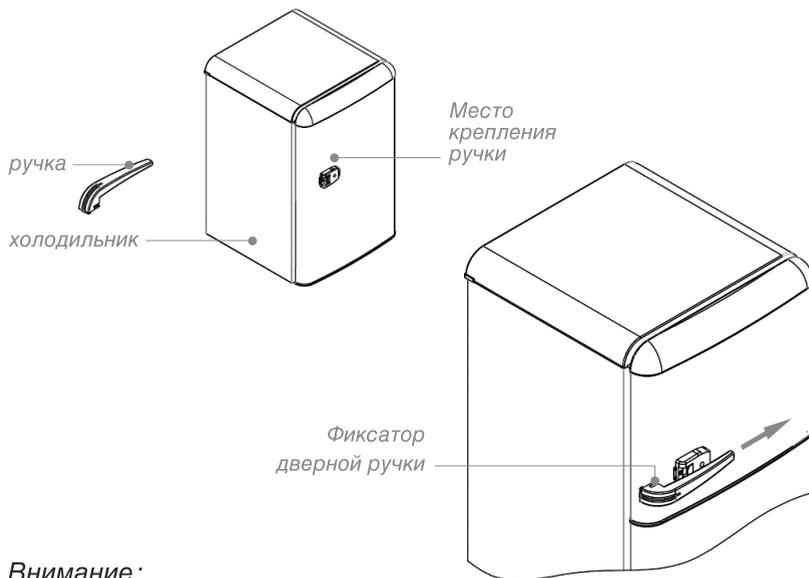
## ОПИСАНИЕ



- |                          |                           |
|--------------------------|---------------------------|
| 1. Морозильная камера    | 6. Полки холодильника     |
| 2. Термостат             | 7. Отделение для овощей   |
| 3. Переключатель сезонов | 8. Уплотнитель двери      |
| 4. Выключатель лампы     | 9. Отделение для яиц      |
| 5. Холодильная камера    | 10. Отделение для бутылок |

*\*Рисунок носит приблизительный характер. Реальный дизайн холодильника может отличаться в зависимости от модели.*

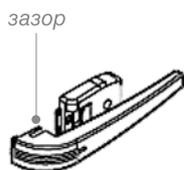
# ИНСТРУКЦИЯ ПО УСТАНОВКЕ ДВЕРНОЙ РУЧКИ ХОЛОДИЛЬНИКА



## Внимание:

Обратите внимание, что фиксатор дверной ручки расположен в выступающей части крепления.

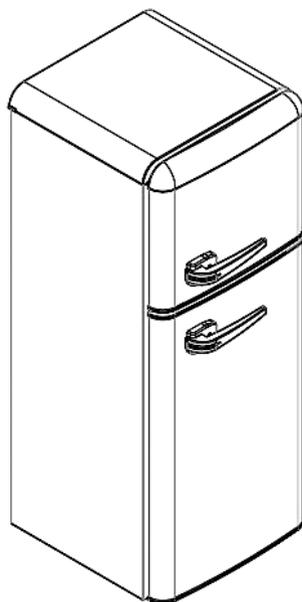
Необходимо приложить усилие, чтобы ручка встала в соответствующее положение.



неправильно



правильно



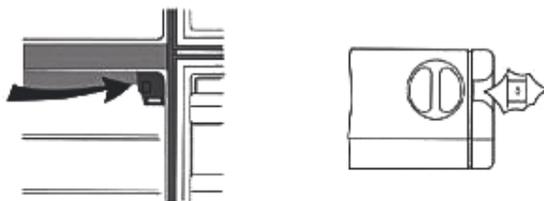
## ПЕРВОЕ ВКЛЮЧЕНИЕ

- Все детали надлежащим образом упакованы на заводе. Удалите вкладыши и клейкие ленты для упаковки после открытия упаковочной коробки.
  - Протрите прибор внутри и снаружи тканью, смоченной в теплой воде и небольшом количестве моющего средства.
  - Убедитесь, что напряжение питания в электросети соответствует требуемому. Вилка холодильника и бытовая розетка должны быть одного типа и подходить для использования. Если оказалось, что подключить холодильник невозможно без переделки вилки, то эксплуатация невозможна. В случае если холодильник будет подключен к сети, после переделки вилки, или с применением разветвителя, то в таком случае, изготовитель снимает с себя всю ответственность за дальнейшую эксплуатацию.
  - Перед первым включением установите регулятор температуры в позицию 1...4 и дайте холодильнику поработать не менее 2-х часов для выхода на требуемый режим. Исходя из условий хранения холодильника до первого пуска, возможен запуск компрессора после 30 минут после подключения к сети.
  - После выключения холодильника из сети или установки регулятора в положение «0», следующий запуск возможен только спустя 3-5 минут. Это обязательное условие, обусловленное физическими процессами. Такая пауза до повторного включения обеспечивает долгую и бесперебойную эксплуатацию изделия.
  - После первого включения допускается повышенная шумность работы компрессора, которая должна прекратиться спустя некоторое время, когда холодильник войдет в нормальный режим работы. Запах пластика также улетучится в течение нескольких часов.
  - Если после подключения холодильника заметна вибрация корпуса, убедитесь, что корпус установлен строго горизонтально, и все 4 ножки плотно опираются о поверхность пола.
- \* Некоторые модификации холодильников снабжены регулируемыми ножками, с помощью которых можно обеспечить устойчивое положение корпуса холодильника.

## РЕГУЛЯТОР ТЕМПЕРАТУРЫ

Позиция 0 – это точка отключения питания. Когда термостат установлен в этой позиции, компрессор перестает работать, холодильник не работает,

а свет в отсеке выключен. Если вы хотите выключить холодильник, вам нужно установить ручку контроля температуры в позицию 0.

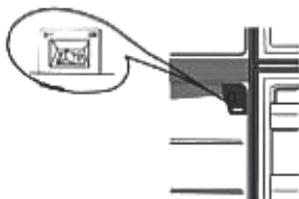


Температура в холодильнике уменьшается с увеличением значения позиции термостата от 1 до 7 по часовой стрелке. Для срочного замораживания пищи или быстрого приготовления льда, установите ручку термостата в положение 7. Рекомендуется устанавливать ручку в положение 5 при обычном использовании.

*Примечание. Когда ручка термостата установлена длительное время в положении 7, холодильная камера может обледенеть.*



Когда температура окружающей среды слишком низкая (ниже 10 °С), компрессор может остановиться на длительный период, а температура в морозильной камере станет слишком высокой. В этом случае необходимо нажать на соответствующую кнопку сезона, установленную под термостатом.



\* - градуировка регулятора может отличаться от приведенного эскиза.

# РАЗМОРАЖИВАНИЕ И ОЧИСТКА

## РАЗМОРАЖИВАНИЕ

**ВАЖНО!** Перед размораживанием прибор необходимо отключить от сети или выставить регулятор температуры в положение «0».

Размораживание – обязательная периодическая процедура в период эксплуатации холодильника, которая обеспечивает долгую эксплуатацию, снижение потребления энергии, сводит к минимуму посторонние запахи. При появлении на стенках морозильной камеры слоя инея (льда) более 5 мм, холодильник необходимо разморозить:

- Для размораживания выключите прибор. Выньте сетевую вилку из розетки или выставите регулятор температуры в положение «0».
- Замороженные продукты заверните в бумагу или накройте одеялом и поместите в прохладное место. Также можно поместить продукты на это время в изотермическую сумку или другой холодильник.
- Процесс размораживания можно ускорить, поставив внутрь холодильника емкость с горячей водой.
- После оттаивания, иней и лед можно снять руками. Не используйте механические приборы (ножи, вилки, прочее), даже изготовленные из пластика. Вы можете легко повредить камеру, нарушить герметичность, что приведет к необходимости дорогостоящего ремонта.
- Остатки влаги соберите губкой.
- Во время размораживания рекомендуется провести чистку корпуса и тыльной части холодильника. Можно использовать пылесос. Соблюдайте осторожность при очистке тыльной стороны.
- Не повредите соединительные трубки и прочие хрупкие детали холодильника.
- Процедуру размораживания и очистки необходимо также проводить перед длительным хранением холодильника. Дверцу в этом случае можно оставить открытой на 1 см, закрепив, например, малярным скотчем. Такая простая мера снизит вероятность появления затхлого запаха.

## ЗАПРЕЩАЕТСЯ:

- Использовать при оттаивании электронагревательные приборы.
- Использовать острые предметы для удаления льда и инея.
- Применять при очистке холодильника хлорсодержащие средства и кислоты.

## ОЧИСТКА

**ВАЖНО!** Перед очисткой прибор необходимо отключить от электросети. Для этого следует выдернуть сетевую вилку. Перевод регулятора температуры в положение «0» отключает только систему охлаждения, но не отключает прибор от электропитания.

- Для очистки холодильника проведите процедуру размораживания.
- Пыль и грязь позади холодильника и под ним должны своевременно убираться для обеспечения хорошей вентиляции и поддержания невысокого уровня расхода электроэнергии.
- Внутренняя часть холодильника также должна регулярно очищаться для предотвращения появления запаха.
- Внутренние поверхности, детали оборудования и внешние стенки следует мыть теплой водой с добавлением небольшого количества моющего средства. Не используйте обильное количество воды.
- Не применяйте абразивные средства или содержащие кислоты чистящие средства, а также химические растворители, жесткие щетки, металлические губки, средства, содержащие алкоголь, ацетон.
- Вымытые поверхности надо хорошо просушить куском сухой ткани.
- Не применяйте паровые очистители!



Следите за тем, чтобы вода для мытья не попадала на электрические детали. Для чистки регулятора температуры и электрических деталей используйте сухую ткань.

### *Некоторые правила и советы по эксплуатации*

- *При хранении продуктов используйте бумагу или специальные емкости*
- *Не помещайте в холодильник горячие продукты или емкости. Дайте остыть до комнатной температуры.*
- *Не помещайте в холодильник стеклянные емкости с жидкостью или другую хрупкую посуду. Возможно, что при сильном охлаждении хрупкая посуда разрушится (треснет, разобьется).*



- Не оставляйте на длительное время открытой дверцу холодильника при работающем компрессоре.
- Не храните технические жидкости в холодильнике.
- Перед длительным хранением холодильника проведите процедуру размораживания. При хранении оставьте дверь приоткрытой на 1 см, закрепив, например, малярным скотчем во избежание появления постороннего запаха.

## ОБНАРУЖЕНИЕ И УСТРАНЕНИЕ НЕИСПРАВНОСТЕЙ

Холодильник сконструирован и изготовлен для длительного срока службы без неисправностей. Если во время работы все-таки возникнет неисправность, проверьте, не связана ли она с возможной ошибкой использования.

Проблема	Возможные причины	Пути решения
Длительная работа компрессора без отключения	Регулятор температуры установлен на максимальный режим.	Проверьте, что регулятор температуры не установлен на максимальное значение. Установите переключатель на меньшее значение.
	Дверь холодильника закрывается неплотно.	Проверьте прилегание двери к корпусу холодильника при закрытии.
	Холодильник установлен возле источника высокой температуры (нагревательные приборы, место прямого попадания солнечных лучей и т.д.).	Установите холодильник на достаточном расстоянии от источника высокой температуры.
	В холодильник помещено избыточное количество продуктов, что мешает циркуляции воздуха внутри холодильника.	Уберите из холодильника избыточное количество продуктов.
	В холодильник помещены слишком горячие продукты.	Не помещайте еще неостывшие или горячие продукты в холодильник.
Компрессор не работает в зимнее время	При низкой температуре окружающей среды регулятор температуры не был переведен в положение со значение больше «0».	Переведите регулятор температуры в положение, соответствующее значениям от «1» до максимального.

Слишком высокий уровень шума (обычный уровень шума не превышает 43 дБ)	Холодильник не выставлен по уровню с плоскостью пола.	Отрегулируйте ножки по уровню пола.
	Крепление двери недостаточно затянуто.	Затяните крепление двери.
	Резонанс капиллярной трубки.	Заполните пространство мягкой тканью или синтетической губкой.
Компрессор работает в нормальном режиме, но температура внутри холодильника не достигает требуемого уровня	Слишком частое открывание дверцы холодильника.	Сократите количество открываний.
	Слишком плотное заполнение холодильной камеры и неправильное расположение продуктов внутри нее	Перераспределите содержимое холодильника.
	Слишком толстый слой инея на поверхности конденсатора.	Отключите прибор от сети и проведите размораживание и очистку.
	Утечка хладагента.	Обратитесь в авторизованный сервисный центр для проведения ремонта.
	Неплотно закрывается дверь холодильника.	Обратитесь в авторизованный сервисный центр для проведения замены уплотнителя двери.

## ТРАНСПОРТИРОВКА И УСТАНОВКА

### ТРАНСПОРТИРОВКА

- При транспортировке угол наклона холодильника не может превышать 45 градусов.
- Запрещается переворачивать, класть горизонтально или трясти холодильник. Придерживайте дверцу при перемещении холодильника.
- Перед началом эксплуатации холодильника, удалите все упаковочные материалы, включая упаковочные материалы под, сбоку и внутри холодильника. Снимите защитную плёнку с дверцы и корпуса холодильника.

**ВАЖНО!** Не разрешайте детям играть с упаковочным материалом, существует опасность удушья упаковочным материалом и пленкой!

## УСТАНОВКА

- Холодильник предназначен только для использования внутри помещения.
- Пол на месте установки должен быть твердым и ровным.
- При установке убедитесь, что прибор находится в устойчивом положении и выставлен в соответствии с плоскостью пола.
- Для обеспечения надлежащей вентиляции Вашего холодильника, его следует устанавливать с минимальными зазорами 10 см со всех сторон и 20 см сверху. Недостаточное свободное пространство может привести к перегреву прибора и перерасходу электроэнергии.
- Не устанавливайте прибор в зоне прямых солнечных лучей, рядом с плитой, системой отопления и другими аналогичными приборами.
- Не устанавливайте холодильник во влажном или мокром месте, в зонах разбрызгивания воды во избежание возникновения ржавчины и иных неисправностей.

## БЕЗОПАСНАЯ УТИЛИЗАЦИЯ



Эта маркировка указывает на то, что это изделие не следует утилизировать вместе с другими бытовыми отходами на всей территории ЕС. Для предотвращения возможного причинения вреда окружающей среде или здоровью людей неконтролируемой утилизацией отходов, утилизируйте их ответственно, чтобы способствовать устойчивому повторному использованию материальных ресурсов. Чтобы вернуть использованное изделие, воспользуйтесь системами возврата и сбора или обратитесь к продавцу, у которого изделие было приобретено. Он может принять это изделие для экологически безопасной утилизации.

## ГАРАНТИЯ И РЕМОНТ

Данный прибор был изготовлен и испытан по необходимым методикам. Производитель предоставляет гарантию на нормальную работу прибора в течение 12 месяцев со дня покупки, при соблюдении условий, указанных в гарантийном талоне изделия и следующих ниже пунктов:

- Все недостатки, связанные с дефектами материала и производства, во время действия гарантийного срока устраняются бесплатно. Рекламации должны регистрироваться непосредственно после обнаружения недостатков.
- На ущерб, вызванный ненадлежащим обращением, обслуживанием, неправильной установкой или содержанием, с неквалифицированным

подключением или инсталляцией, а также непреодолимой силой или другими внешними влияниями, гарантийные обязательства не распространяются.

- Мы оставляем за собой право, при получении рекламации, отремонтировать или заменять неисправные детали, либо обменивать прибор. Замененные детали переходят в нашу собственность.
- На основе гарантии невозможны любые дальнейшие претензии. Право на гарантию, покупатель получает при условии предъявления правильно заполненного гарантийного талона.
- Условия гарантийного ремонта, адреса авторизованных сервисных центров можно узнать на сайте компании [www.harper.ru](http://www.harper.ru)

Дополнительно: если прибор перестал правильно функционировать, до обращения в сервисный центр, предлагаем сначала проверить, нет ли для этого других причин, как, например, прерванное электроснабжение.

## ТЕХНИЧЕСКИЕ ХАРАКТЕРИСТИКИ

Модель	HRF-T140M
Общий объем, л	138
Объем холодильной камеры, л	96
Объем морозильной камеры, л	42
Напряжение, частота тока, В/Гц	220-240~/50
Класс энергопотребления	A+
Класс защиты от поражения электрическим током	I
Потребление электроэнергии, кВт·ч/год	172,6
Климатический класс	SN / N / ST
Вид хладагента	R600a
Масса хладагента, г	28
Уровень шума, дБ	не более 43
Регулировка температуры	механическая
Размораживание	ручное
Габариты изделия (ШхГхВ), см	400x485x1070
Габариты упаковки (ШхГхВ), см	470x485x1070
Вес нетто/брутто, кг	21 / 23

Технические характеристики могут быть изменены заводом-изготовителем без предварительного уведомления. Рисунки и эскизы носят приблизительный характер. Указанные вес и геометрические размеры имеют приблизительные значения.



Продукция прошла все установленные в технических регламентах Таможенного союза и Евразийского экономического союза процедуры оценки.

Подробную информацию по сертификации наших приборов, технических регламентах, данные о номере сертификата и сроке его действия, органе, выдавшем сертификат, Вы можете получить на официальном сайте организации <https://harper.ru/certification> , или уточнить по номеру поддержки клиентов, тел.: 8-800-600-7107

Дата производства указана на упаковке

Срок службы –36 месяцев

Гарантийный срок – 12 месяцев

Гарантийное обслуживание осуществляется согласно прилагаемому гарантийному талону.

Гарантийный талон и руководство по эксплуатации являются неотъемлемыми частями данного изделия.

Дополнительную информацию о товаре и данные авторизованного сервисного центра вы можете узнать на сайте <https://harper.ru> или по телефону технической поддержки 8-800-600-7107

Изготовитель: Harper International Trading Limited 15F, Radio City, 505 Hennessy Road, Causeway Bay, Гонконг

Сделано в КНР

Импортер/организация уполномоченная на принятие претензий:  
ООО «Прогресс-Плюс» 119607, г.Москва, ул.Удальцова, д.50, корп.1,  
тел: +74951330210



Harper өнімдерін таңдағаныңыз үшін алғыс айтамыз. Пайдалануды бастамас бұрын пайдалану жөніндегі нұсқаулықпен танысыңыз және құрылғыға қызмет көрсету бойынша сұрақтар туындаған жағдайда оны сақтаңыз.

## САҚТЫҚ ШАРАЛАРЫ



### **НАЗАР аударыңыз!**

Қолданар алдында нұсқаулықты мұқият оқып шығыңыз.

- Тоңазытқыш тек үйде немесе үйге жақын жерде тағамды салқындатуға арналған. Бұған, мысалы, персоналға арналған асүйлерде, пансионаттарда, коттеждерде, қонақ үйлерде және тұруға арналған басқа да орындарда, дайын тамақпен және осыған ұқсас көтерме сауда қызметтерімен қамтамасыз ету кезінде пайдалану жатады. Құрылғыны тек үй жағдайында қолданыңыз. Қолданудың барлық басқа әдістері қолайсыз. Құрылғыны дұрыс пайдаланбау сақталған өнімдердің зақымдалуына немесе бүлінуіне әкелуі мүмкін.
- Тоңазытқышты сатып алғанда, оның толықтығын, механикалық зақымдануының болмауын, сондай-ақ жұмысқа қабілеттілігін тексеріңіз.
- Тоңазытқышты желіге қоспас бұрын, электр желісінің кернеуі мен жиілігі өнімнің таңбалауында көрсетілгендерге сәйкес келетініне көз жеткізіңіз. Тоңазытқышты тек айнымалы ток көзіне қосыңыз. Тоңазытқыш жерге қосылған розетка арқылы 220~240В / 50Гц электр желісіне қосылуы керек. Кернеу параметрлерінің 10% - дан астам ауытқуы құрылғының тұрақсыз жұмысына немесе оның зақымдалуына әкелуі мүмкін.
- Егер қоректендіруші желі кернеуінің ауытқуы 10% - дан асса, қауіпсіздік мақсатында тоңазытқышты қосу үшін автоматты кернеу тұрақтандырғышын пайдалану ұсынылады.

### **МАҢЫЗДЫ! Электр тогының соғуын болдырмау үшін:**

- Электр желісіне қосар алдында қоректендіру сымын механикалық зақымданудың болмауын тексеру қажет.
- Қуат сымы зақымдалған жағдайда, оны авторизацияланған сервис орталығында ауыстыру қажет.
- Тоңазытқышты қосу үшін ұзартқыштар мен тістерді пайдаланбаңыз.
- Тоңазытқыш пен желілік кабель зақымданған жағдайда тоңазытқышты розеткаға қоспаңыз. Мұндай жағдайларда уәкілетті қызмет көрсету орталығына хабарласыңыз.

- Қуат сымының шанышқысын ажыратқан кезде сымнан тартпаңыз, тек Қуат сымының шанышқысынан ұстаңыз.
- Қуат кабелін бүгуге немесе ұзартуға тыйым салынады
- Сенімді жерге қосу байланысы бар Розетканы пайдаланыңыз. Басқа қуатты қажет ететін құрылғыларды осы розеткаға қоспаңыз.
- Розетка құрылғының артында болмауы керек, ол оңай қол жетімді болуы керек.
- Қуат кабелі компрессордан және тоңазытқыштың артқы қабырғасынан жеткілікті қашықтықта екеніне көз жеткізіңіз, ол тоңазытқыш жұмыс істеп тұрған кезде әрдайым қатты қызады.
- Қуат кабелінің компрессормен байланысы кабельдің оқшаулауына және токтың ағып кетуіне әкелуі мүмкін.

### **БАСҚА САҚТЫҚ ШАРАЛАРЫ:**

- Құрылғы физикалық, сенсорлық немесе ақыл-ой қабілеті шектеулі адамдарға, сондай-ақ олардың қауіпсіздігі үшін жауапты адамдарға нұсқау берілмесе, жеткілікті білімі мен тәжірибесі жоқ адамдарға қолдануға жарамсыз.
- Балаларға тоңазытқышпен ойнауға жол бермеңіз.
- Жас балаларды тоңазытқышпен қараусыз қалдырмаңыз. Тасымалдау кезінде:
  - Тоңазытқышты жылжитқан кезде оны көлденең немесе 45 градустан жоғары бұрышта тік орналастыруға тыйым салынады. Орнату кезінде:
  - Тоңазытқышты тікелей күн сәулесі түсетін жерге, плитаның, жылыту жүйесінің және басқа ұқсас құрылғылардың жанына қоймаңыз.
  - Тоңазытқышты тегіс және қатты бетке орнату керек. Тоңазытқышты жұмсақ материалға, мысалы, полистиролға орнатуға тыйым салынады. Егер Тоңазытқыш біркелкі болмаса, оның орнын аяғындағы бұрандалармен реттеңіз.
  - Тоңазытқышты ылғалдылығы жоғары бөлмелерде (ванна бөлмесінде, душта, бассейннің жанында және т.б.) пайдалануға тыйым салынады, себебі бұл тоңазытқыштың металл бөлшектерінде тоттың пайда болуына әкелуі мүмкін.
  - Тоңазытқышқа немесе оның ішіне су шашуға тыйым салынады, себебі бұл қысқа тұйықталуға әкелуі мүмкін.
  - Тоңазытқышты жақсы желдетілетін жерлерде орнатыңыз. Жеткілікті желдету тоңазытқышқа қуатты аз тұтыну кезінде мүмкіндігінше тиімді жұмыс істеуге мүмкіндік береді, сонымен қатар жылуды кетіруге көмектеседі. Жеткілікті желдетуді қамтамасыз ету үшін тоңазытқыштың айналасында барлық жағынан кемінде 10 см және жоғарыдан кемінде 20 см бос орын беру керек.
  - Тоңазытқышты тауашаларға, шкафтарға, шкафтарға және т.б. нашар желдетілетін жерлерде орнатпаңыз.

- Тоңазытқыштың сырты мен ішіндегі желдеткішті жабуға тыйым салынады.
- Құрал үшін арналған емес, пайдалану кезінде взрывоопасном айналасында. Тоңазытқыштың жанында бензин, спирт, лак, ацетон және т.б. сияқты Ұшпа немесе жарылыс қаупі бар заттар болса, оны пайдалануға тыйым салынады.

### **ТАЗАЛАУ ЖӘНЕ ЕРІТУ КЕЗІНДЕ:**

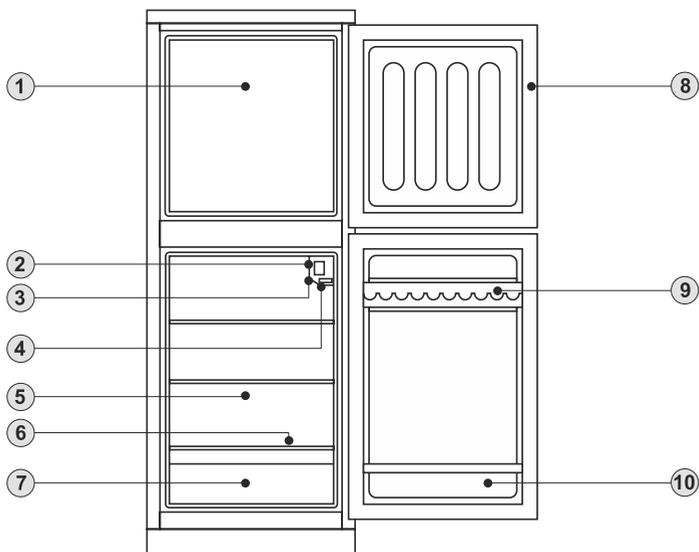
- Тазалау кезінде электр тогының соғу қаупін болдырмас үшін алдымен тоңазытқышты электр желісінен ажыратыңыз.
- Жұмыс істеп тұрған электр құрылғыларын тоңазытқышқа салмаңыз.
- Өнімнің құрамындағы немесе есікті ашқан кезде тоңазытқыштың ішіне кіретін ылғал құрылғының ішінде мұз қабатын қалыптастыруы мүмкін, бұл тоңазытқыштың жұмысын төмендетеді.
- Мұз қабатының қалыңдығы 2 мм жеткенде, тоңазытқышты жібіту керек.
- Камераның ішкі бетінің деформациялануын болдырмау үшін тоңазытқышты тікелей ыстық сумен немесе шаш көптіргішпен жібіту ұсынылмайды.
- Мұздатқыштан мұзды өткір заттармен алып тастауға тыйым салынады, өйткені бұл камераның ішкі бетіне немесе буландырғыштың бетіне зақым келтіруі мүмкін.
- Хладагент контурына зақым келтірмеу үшін абай болыңыз.
- Қауіпсіздік пен қауіпсіздік шараларын сақтамау тоңазытқыштың бұзылуына, электр тогының соғуына, қысқа тұйықталуға немесе өртке әкелуі мүмкін.
- Ақаулар туындаған жағдайда уәкілетті сервис орталықтарына жүгіну қажет.
- Білікті емес жөндеу тоңазытқышты кепілдік қызметінен босатады.
- Тоңазытқышты жөндеу үшін түпнұсқалық қосалқы бөлшектер ғана пайдаланылуы мүмкін.
- Өндіруші тоңазытқышты дұрыс пайдаланбау немесе сақтық пен қауіпсіздік шараларын сақтамау салдарынан туындаған қандай да бір зақым үшін жауап бермейді.

**Тыйым салынады!** Тоңазытқышта қолданылатын R600a салқындатқыш және циклопентан оқшаулағыш көбік жанғыш материалдар болып табылады. Кәдеге жаратылатын тоңазытқыштар от көздерінен оқшаулануы және өртенбеуі тиіс.



**АБАЙЛАҢЫЗ!** Тоңазытқышты қоқысқа тастамас бұрын, балалармен жазатайым оқиғалардың алдын алу үшін есікті алыңыз.

## СИПАТТАМАСЫ



1. Мұздатқыш камера
2. Термостат
3. Жыл мезгілдерін ауыстыру
4. Шам қосқыш
5. Тоңазытқыш камера
6. Тоңазытқыштың сөрелері

7. Көкөністерге арналған бөлімше
8. Нығыздағыштар есіктер
9. Жұмыртқа бөлімшесі
10. Шөлмекке арналған бөлімше

\* Сурет шамамен алынған. Тоңазытқыштың нақты дизайны модельге байланысты әр түрлі болуы мүмкін.

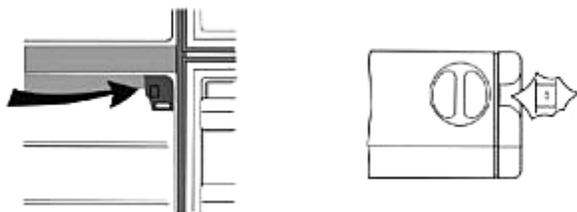


## БІРІНШІ ҚОСУ

- Барлық бөлшектер зауытта дұрыс оралған. Қаптама қорапшасын ашқаннан кейін қаптамалар мен жабысқақ таспаларды алыңыз.
- Құрылғыны ішіне және сыртына жылы суға малынған шүберекпен және аз мөлшерде жуғыш затпен сүртіңіз.
- Электр желісіндегі қуат кернеуі талап етілетінге сәйкес келетініне көз жеткізіңіз. Тоңазытқыштың шанышқысы мен тұрмыстық розетка бірдей болуы керек және қолдануға жарамды болуы керек. Егер тоңазытқышты штепсельді өзгертпестен қосу мүмкін болмаса, онда пайдалану мүмкін емес. Егер Тоңазытқыш штепсельді өзгерткеннен кейін немесе сплиттерді қолданғаннан кейін желіге қосылған болса, онда бұл жағдайда өндіруші одан әрі пайдалану үшін барлық жауапкершілікті өз мойнына алады.
- Бірінші қосу алдында температура реттегішін 1...4 күйіне орнатыңыз және қажетті режимге шығу үшін тоңазытқыштың кем дегенде 2 сағат жұмыс істеуіне мүмкіндік беріңіз. Тоңазытқышты бірінші іске қосқанға дейін сақтау шарттарына сүйене отырып, желіге қосылғаннан кейін 30 минуттан кейін компрессорды іске қосуға болады.
- Тоңазытқышты желіден өшіргеннен кейін немесе реттегішті «0» күйіне орнатқаннан кейін, келесі іске қосу 3-5 минуттан кейін ғана мүмкін болады. Бұл физикалық процестерге байланысты міндетті шарт. Мұндай үзіліс қайта қосылғанға дейін өнімнің ұзақ және үздіксіз жұмысын қамтамасыз етеді.
- Бірінші қосқаннан кейін компрессордың шуылының жоғарылауына жол беріледі, ол Тоңазытқыш қалыпты жұмыс режиміне енген кезде біраз уақыттан кейін тоқтатылуы керек. Пластиктің иісі де бірнеше сағат ішінде жоғалады.
- Егер тоңазытқышты қосқаннан кейін корпусың дірілі байқалса, корпусың көлденең орнатылғанына және барлық 4 аяқтың еден бетіне мықтап бекітілгеніне көз жеткізіңіз.
- Тоңазытқыштардың кейбір модификациялары реттелетін аяқтармен жабдықталған, олардың көмегімен Тоңазытқыш корпусының тұрақты күйін қамтамасыз етуге болады.

## ТЕМПЕРАТУРА РЕТТЕГІШІ

0 Позиция-бұл электр қуатын өшіру нүктесі. Термостат осы позицияға орнатылған кезде компрессор жұмысын тоқтатады, тоңазытқыш жұмыс істемейді және бөліктегі жарық өшіріледі. Егер сіз тоңазытқышты өшіргіңіз келсе, температураны басқару тұтқасын 0 күйіне қоюыңыз керек.

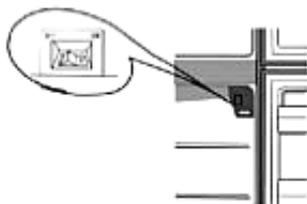


Тоңазытқыштағы Температура термостат позициясының мәні сағат тілімен 1-ден 7-ге дейін артады. Тамақты шұғыл мұздату немесе мұзды тез пісіру үшін термостат тұтқасын 7 күйіне орнатыңыз. Қалыпты пайдалану кезінде тұтқаны 5 позициясына орнату ұсынылады.

*Ескерту. Термостаттың тұтқасы ұзақ уақыт бойы 7 позициясында орнатылған кезде, тоңазытқыш мұздатуы мүмкін.*



Қоршаған орта температурасы тым төмен болған кезде (10 °C-тан төмен), компрессор ұзақ уақытқа тоқтап, мұздатқыштағы температура тым жоғары болады. Бұл жағдайда термостаттың астына орнатылған маусымның тиісті түймесін басу керек.



\* - реттеуішті градуирлеу келтірілген эскизден ерекшеленуі мүмкін.

## ЕРІТУ ЖӘНЕ ТАЗАРТУ

### ЕРІТУ

**МАҢЫЗДЫ!** Жібiту алдында құрылғыны желiден ажырату немесе температура реттегiшiн «0»күйiне қою керек.

Жiбiту-тоңазытқышты пайдалану кезеңiндегi мiндеттi мерзiмдiк рәсiм, ол ұзақ пайдалануды, энергия тұтынуды төмендетудi қамтамасыз етедi, бө-

тен иістерді азайтады. Мұздатқыштың қабырғаларында 5 мм-ден астам аяз (мұз) қабаты пайда болған кезде тоңазытқышты еріту керек:

- Еріту үшін құрылғыны өшіріңіз. Желілік штепсельді розеткадан алыңыз немесе температура реттегішін «0» күйіне орнатыңыз.
- Мұздатылған тағамдарды қағазға орап немесе көрпемен жауып, салқын жерге қойыңыз. Сондай-ақ, осы уақытқа дейін өнімдерді изо-термиялық сөмкеге немесе басқа тоңазытқышқа салуға болады.
- Процесс ерітуге болады жеделдету қойып, ішке тоңазытқыш ыдыс ыстық сумен қамтамасыз етеді.
- Ерігеннен кейін, аязды және мұзды қолмен алуға болады. Механикалық құрылғыларды (пышақтар, шанышқылар, т.б.), тіпті пластиктен де пайдаланбаңыз. Камераны оңай зақымдауға, тығыздықты бұзуға болады, бұл қымбат жөндеуді қажет етеді.
- Қалған ылғалды губкамен жинаңыз.
- Еріту кезінде тоңазытқыштың Корпусы мен артқы жағын тазалау ұсынылады. Шаңсорғышты қолдануға болады. Артқы жағын тазалау кезінде абай болыңыз.
- Жалғағыш түтіктерді және тоңазытқыштың өзге де сынғыш бөлшектерін зақымдамаңыз.
- Жібіту және тазалау процедурасын тоңазытқышты ұзақ уақыт сақтамас бұрын да жүргізу керек. Бұл жағдайда есікті 1 см ашық қалдыруға болады, мысалы, Маска таспасымен бекітіңіз. Мұндай қарапайым шара жағымсыз иіс ықтималдығын азайтады.

### **Тыйым салынады:**

- Еріту кезінде электр жылыту құралдарын қолданыңыз.
- Мұз бен аязды кетіру үшін өткір заттарды қолданыңыз.
- Тоңазытқышты тазалау кезінде құрамында хлор бар құралдар мен қышқылдарды қолдану.

### **ТАЗАЛАУ**

**МАҢЫЗДЫ!** Тазалау алдында құрылғыны электр желісінен ажырату керек. Мұны істеу үшін желі ашасын алыңыз. Температура реттегішін «0» күйіне ауыстыру тек салқындату жүйесін өшіреді, бірақ құрылғыны электр қуатынан ажыратпайды.

- Тоңазытқышты тазалау үшін жібіту процедурасын жүргізіңіз.
- Жақсы желдетуді қамтамасыз ету және электр қуатын аз тұтыну үшін тоңазытқыштың артындағы және астындағы шаң мен кірді уақтылы тазарту керек.

- Тоңазытқыштың ішін иіс болмас үшін үнемі тазалап отыру керек.
- Ішкі беттерді, жабдық бөлшектерін және сыртқы қабырғаларды аз мөлшерде жуғыш зат қосылған жылы сумен жуу керек. Судың көп мөлшерін пайдаланбаңыз.
- Абразивті немесе қышқылдан тұратын тазартқыштарды, сондай-ақ химиялық еріткіштерді, қатты щеткаларды, металл губкаларды, құрамында алкоголь, ацетон бар заттарды қолданбаңыз.
- Жуылған беттерді құрғақ шүберекпен жақсылап кептіру керек.
- Бу тазартқыштарды қолданбаңыз!



Жууға арналған су электр бөлшектеріне түспейтініне көз жеткізіңіз. Температура реттегіші мен Электр бөлшектерін тазарту үшін құрғақ шүберекті пайдаланыңыз.

### *Кейбір ережелер мен кеңестер*

- *Азық-түлікті сақтау кезінде қағазды немесе арнайы контейнерлерді қолданыңыз*
- *Ыстық өнімдерді немесе контейнерлерді тоңазытқышқа салмаңыз. Бөлме температурасына дейін суытайық.*
- *Шыны ыдыстарды сұйықтықпен немесе басқа да нәзік ыдыстармен тоңазытқышқа салмаңыз. Қатты салқындаған кезде сынғыш ыдыс құлап кетуі мүмкін (жарылып, сынған).*
- *Компрессор жұмыс істеп тұрған кезде тоңазытқыштың есігін ұзақ уақыт ашық қалдырмаңыз.*
- *Техникалық сұйықтықтарды тоңазытқышта сақтамаңыз.*
- *Тоңазытқышты ұзақ уақыт сақтамас бұрын, жібіту процедура-сын орындаңыз. Сақтау кезінде есікті 1 см ашық қалдырыңыз, мысалы, сыртқы иіс пайда болмас үшін маска таспасымен бекітіңіз.*

## АҚАУЛАРДЫ АНЫҚТАУ ЖӘНЕ ЖОЮ

Тоңазытқыш ақаусыз ұзақ қызмет ету мерзімі үшін құрастырылған және дайындалған. Егер жұмыс кезінде әлі де ақаулық болса, оның мүмкін пайдалану қатесімен байланысты екенін тексеріңіз.

Проблема	Мүмкін себептері	Шешу жолдары
Ажыратусыз компрессордың ұзақ жұмыс істеуі	Температура реттегіші максималды режимге орнатылады.	Температура реттегішінің максималды мәнге орнатылмағанын тексеріңіз. Қосқышты төменгі мәнге орнатыңыз..
	Тоңазытқыштың есігі бос жабылады.	Жабылған кезде есіктің Тоңазытқыш корпусына сәйкестігін тексеріңіз.
	Тоңазытқыш жоғары температура көзінің жанында орнатылады (жылыту құрылғылары, күн сәулесінің тікелей түсетін жері және т.б.).	Тоңазытқыш жоғары температура көзінің жанында орнатылады (жылыту құрылғылары, күн сәулесінің тікелей түсетін жері және т.б.).
	Тоңазытқышқа тоңазытқыштың ішіндегі ауа айналымына кедергі келтіретін артық өнімдер орналастырылған.	Тоңазытқыштан артық өнімдерді алып тастаңыз.
	Тоңазытқыштан артық өнімдерді алыңыз.	Салқындатылмаған немесе ыстық тағамдарды тоңазытқышқа салмаңыз.
Компрессор қыста жұмыс істемейді	Қоршаған орта температурасы төмен болған кезде температура реттегіші "0" - ден жоғары мәнге ауыспады.	Температура реттегішін " 1 " - ден максимумға дейінгі мәндерге сәйкес келетін күйге ауыстырыңыз.
Шу деңгейі тым жоғары (қалыпты шу деңгейі 43 дБ аспайды)	Тоңазытқыш еден жазықтығымен деңгейге қойылмаған.	Аяқтарды еден деңгейіне сәйкес реттеңіз.
	Есікті бекіту жеткіліксіз.	Есіктің бекітпесін қатайтыңыз.
	Капиллярлық түтіктің резонансы	Кеңістікті жұмсақ шүберекпен немесе синтетикалық губкамен толтырыңыз.

Компрессор қалыпты жұмыс істейді бірақ тоңазытқыш ішіндегі температура қажетті деңгейге жетпейді	Тоңазытқыштың есігі тым жиі ашылады.	Ашу санын азайтыңыз.
	Тоңазытқышты тым тығыз толтыру және оның ішіндегі өнімдердің дұрыс орналаспауы	Тоңазытқыштың мазмұнын қайта бөліңіз.
	Конденсатордың бетіндегі аяздың тым қалың қабаты.	Құрылғыны желіден ажыратыңыз және жібiту мен тазалауды жүргізіңіз.
	Хладагенттің ағуы.	Жөндеу үшін уәкілетті қызмет көрсету орталығына хабарласыңыз.
	Тоңазытқыштың есігі бос жабылады.	Есіктің тығыздағышын ауыстыру үшін уәкілетті қызмет көрсету орталығына хабарласыңыз.

## ТАСЫМАЛДАУ ЖӘНЕ ОРНАТУ

### ТАСЫМАЛДАУ

- Тасымалдау кезінде тоңазытқыштың көлбеу бұрышы 45 градустан аспауы керек.
- Тоңазытқышты бұруға, көлденең қоюға немесе шайқауға тыйым салынады. Тоңазытқышты жылжытқан кезде есікті ұстаңыз.
- Тоңазытқышты пайдалануды бастамас бұрын, барлық орауыш материалдарды, соның ішінде тоңазытқыштың астындағы, бүйіріндегі және ішіндегі орауыш материалдарды алып тастаңыз. Тоңазытқыштың есігі мен корпусынан қорғаныс қабатын алыңыз.

**МАҢЫЗДЫ!** Балаларға орауыш материалмен ойнауға рұқсат бермеңіз, орауыш материалмен және пленкамен тұншығу қаупі бар!

### ОРНАТУ

- Тоңазытқыш тек үй ішінде пайдалануға арналған.
- Орнату орнындағы еден қатты және тегіс болуы тиіс.
- Орнату кезінде құрылғы тұрақты және еден жазықтығына сәйкес орнатылғанына көз жеткізіңіз.
- Тоңазытқыштың дұрыс желдетілуін қамтамасыз ету үшін оны барлық жағынан 10 см және жоғарыдан 20 см минималды бос орындармен орнату керек. Бос кеңістіктің жеткіліксіздігі құрылғының қызып кетуіне және электр энергиясының шамадан тыс тұтынылуына әкелуі мүмкін.



- Аспапты тікелей күн сәулесі түсетін жерге, плитаның, жылыту жүйесінің және басқа да осыған ұқсас аспаптардың қасына орнатпаңыз.
- Тоттың және өзге де ақаулардың пайда болуын болдырмау үшін тоңазытқышты ылғалды немесе дымқыл жерде, су шашатын аймақтарда орнатпаңыз

## ҚАУІПСІЗ ҚАЙТА ӨНДЕУ



Бұл таңбалау бұл өнімді ЕО-дағы басқа тұрмыстық қалдықтармен бірге тастауға болмайтынын көрсетеді. Қалдықтарды бақылаусыз жою арқылы қоршаған ортаға немесе адам денсаулығына ықтимал зиян келтірмеу үшін материалдық ресурстарды тұрақты қайта пайдалануға ықпал ету үшін оларды жауапкершілікпен тастаңыз. Пайдаланылған өнімді қайтару үшін қайтару және жинау жүйелерін қолданыңыз немесе өнімді сатып алған сатушыға хабарласыңыз. Ол бұл өнімді экологиялық таза кедеге жарату үшін қабылдай алады.

## КЕПІЛДІК ЖӘНЕ ЖӨНДЕУ

Бұл құрылғы қажетті әдістерге сәйкес жасалды және сыналды. Өндіруші бұйымның кепілдік талонында көрсетілген шарттарды және төмендегі тармақтарды сақтай отырып, сатып алынған күннен бастап 12 ай ішінде аспаптың қалыпты жұмыс істеуіне кепілдік береді:

- Кепілдік мерзімі кезінде материалдық және өндірістік ақауларға байланысты барлық кемшіліктер тегін жойылады. Шағымдар кемшіліктер анықталғаннан кейін тікелей тіркелуі керек.
- Дұрыс пайдаланбау, техникалық қызмет көрсету, дұрыс орнатпау немесе техникалық қызмет көрсету, білікті емес қосылу немесе орнату, сондай-ақ еңсерілмейтін күш немесе басқа да сыртқы әсерлерден туындаған залал кепілдік міндеттемелеріне қолданылмайды.
- Біз шағым алған кезде ақаулы бөлшектерді жөндеуге немесе ауыстыруға немесе құрылғыны ауыстыруға құқығымыз бар. Ауыстырылған бөлшектер біздің меншікке өтеді.
- Кепілдік негізінде кез келген әрі қарайғы шағымдар мүмкін емес. Кепілдік құқығын сатып алушы дұрыс толтырылған кепілдік талонын ұсынған жағдайда алады.
- Кепілдікті жөндеу шарттарын, авторландырылған сервистік орталықтардың мекен-жайларын компанияның сайтынан білуге болады [www.harper.ru](http://www.harper.ru)

Сонымен қатар: егер құрылғы қызмет көрсету орталығына хабарласпас бұрын дұрыс жұмыс істемей қалса, алдымен бұл үшін басқа себептер бар-жоғын тексеруді ұсынамыз, Мысалы, электрмен жабдықтау үзілген.

## ТЕХНИКАЛЫҚ СИПАТТАМАЛАРЫ

<b>Моделі</b>	<b>HRF-T140M</b>
Жалпы көлемі, л	138
Тоңазытқыш камерасының көлемі, л	96
Мұздатқыштың көлемі, л	42
Көрнеу, ток жиілігі, В/Гц	220-240~/50
Энергия тұтыну класы	A+
Электр тогының соғуынан қорғау класы	I
Электр энергиясын тұтыну, кВт•ч/год	172,6
Климаттық класы	SN / N / ST
Хладагент түрі	R600a
Хладагент массасы, г	28
Шу деңгейі, дБ	көп емес 43
Температураны реттеу	механикалық
Еріту	қолмен
Габариттері бұйымдар (ШxГxВ), см	400x485x1070
Қаптама өлшемдері (ШxГxВ), см	465x475x1030
Таза/Жалпы салмақ, кг	21/23

Техникалық сипаттамаларды дайындаушы зауыт алдын ала ескертусіз өзгерте алады. Суреттер мен эскиздер шамамен алынған. Көрсетілген салмақ пен геометриялық өлшемдер шамамен алынған.



HARPER

Өнім Кеден одағы мен Еуразиялық экономикалық одақтың техникалық регламенттерінде белгіленген барлық бағалау рәсімдерінен өтті.

Аспаптарымызды, техникалық регламенттерімізді сертификаттау жөніндегі толық ақпаратты, сертификат нөмірі мен оның қолданылу мерзімі, сертификат берген орган туралы деректерді сіз ұйымның ресми сайтынан ала аласыз <https://harper.ru/certification> , немесе тұтынушыларды қолдау нөмірі бойынша нақтылау, тел.: 8-800-600-7107

Өндіріс күні қаптамада көрсетілген

Қызмет мерзімі -36 ай

Кепілдік мерзімі - 12 ай

Кепілдік қызмет көрсету қоса беріліп отырған кепілдік талонына сәйкес жүзеге асырылады.

Кепілдік талоны және пайдалану жөніндегі Нұсқаулық осы өнімнің ажырамас бөлігі болып табылады.

Тауар туралы қосымша ақпаратты және авторизацияланған сервис орталығының деректерін сайттан білуге болады <https://harper.ru> немесе 8-800-600-7107 техникалық қолдау телефоны бойынша

Өндіруші: Harper International Trading Limited 15f, Radio City, 505 Hennessy Road, Causeway Bay, Гонконг

ҚХР-да жасалған

Импорттаушы / талаптарды қабылдауға Уәкілетті ұйым:

«Прогресс-Плюс» ЖШС 119607, Мәскеу, Удальцов көшесі, 50 үй, корп.1,

тел: +74951330210

